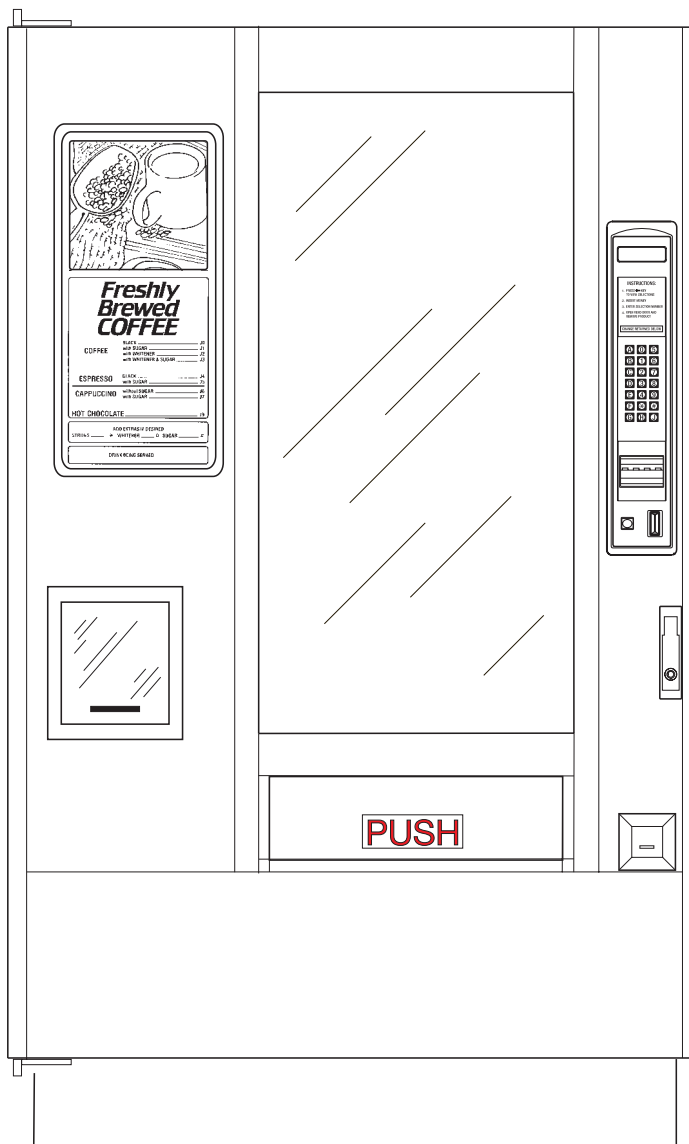


Model 493

# Snackcombo III



## PARTS MANUAL

12955 Enterprise Way  
Bridgeton, Missouri 63044-1200  
(314) 298-3500

4930029

Copyright © 4-99



# LIST OF FIGURES

FIGURE .....	PAGE .....
1. 493 Merchandiser .....	1
2. Trim Components .....	2
3. Trim Component Details .....	4
4. Coin Receptacle Assembly .....	6
5. Door Assembly .....	8
6. Light Assembly - Upper Door .....	10
7. Fluorescent Side Light Assembly .....	12
8. Door Lock and Handle Assembly (Standard Styling) .....	14
9. Gum and Mint Assembly .....	16
10. Delivery Pan Assembly .....	20
11. Delivery Pan Assembly Door Lock Mechanism - Part 1 of 2 (Food Module Equipped Machines Only) ..	24
12. Delivery Pan Assembly Door Lock Mechanism - Part 2 of 2 (Food Module Equipped Machines Only) ..	26
17. Base Plate Assembly .....	30
18. Common Cabinet (Part 1 of 4) .....	32
19. Common Cabinet (Part 2 of 4) .....	34
20. Common Cabinet (Part 3 of 4) .....	36
21. Common Cabinet (Part 4 of 4) .....	38
22. Leg, Leveler, and Leg and Hinge Assemblies .....	40
23. Power Panel Assembly (U.S./Latin America) .....	42
24. Monetary Panel Assembly (Part 1 of 3) .....	44
25. Monetary Panel Assembly (Part 2 of 3) .....	46
26. Monetary Panel Assembly (Part 3 of 3) .....	48
27. Monetary Inserts .....	51
28. Card Reader and Bill Validator Combinations .....	52
29. Candy Tray Assembly (Part 1 of 2) .....	56
30. Candy Tray Assembly (Part 2 of 2) .....	58
31. Snack Tray Assembly (Part 1 of 2) .....	60
32. Snack Tray Assembly (Part 2 of 2) .....	62
33. Gum and Mint Tray Assembly (Part 1 of 2) .....	64
34. Gum and Mint Tray Assembly (Part 2 of 2) .....	66
35. Can and Refrigeration Module .....	68
36. Can Unit Frame Assembly .....	70
37. Can Compartment Assembly .....	72
38. Motor and Ejector Mounting Channel Assembly .....	74
40. Refrigerated Food Module and Housing Assembly .....	78
41. Major Components - Refrigerated Food Module .....	80
43. Food Module Door Frame Assembly .....	84
44. Refrigerated Food Module - Interior View (Part 1 of 2) .....	86
45. Refrigerated Food Module - Interior View (Part 2 of 2) .....	88
46. General Tray Assemblies - Refrigerated Food Module .....	90
47. Pusher Module Assembly .....	92
48. Belt Module Assembly .....	94
49. Spiral Module Assembly .....	96
50. Door Assembly - Refrigerated Food Module .....	98
51. Left Hand Drive Arm Assembly .....	100
52. Right Hand Drive Arm Assembly .....	102
53. Motor Mounting Bracket Assembly .....	104
54. Hot Drink Module .....	106
55. Fresh Brew Coffee Shelf Assembly .....	108

# Snackcombo III Parts Manual

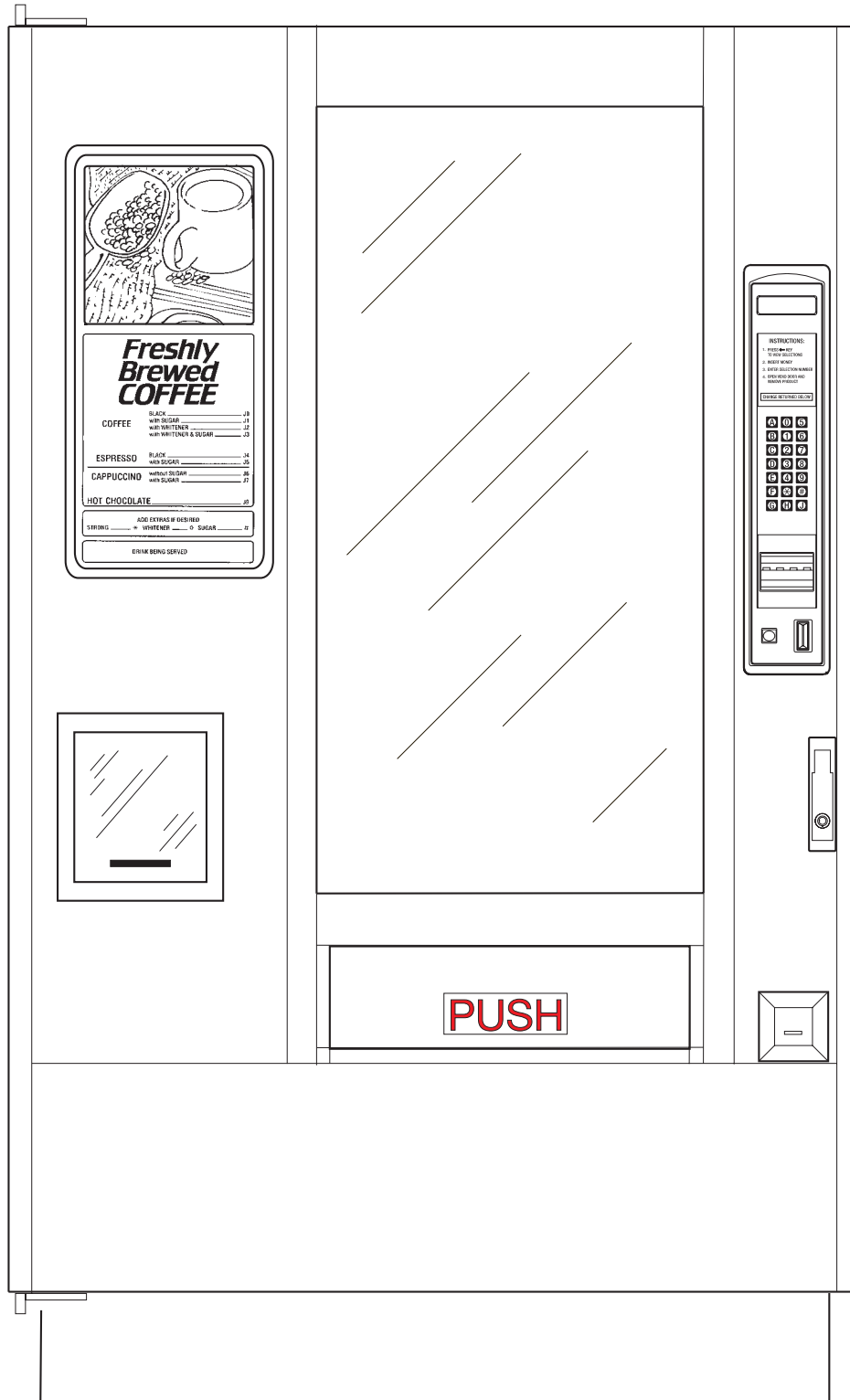
FIGURE .....	PAGE
56. Fresh Brew Chocolate Shelf Assembly .....	110
57. Sugar/Lightener Dispensing System (Without Coffee Whipper) .....	112
58. Sugar and Lightener Dispensing System (With Coffee Whipper) .....	114
59. Dry Ingredient (Sugar/Lightener) Shelf Assembly .....	116
60. Fresh Brew Coffee Canister Assembly .....	118
61. Chocolate Canister Assembly .....	120
62. Sugar Canister Assembly .....	122
63. Lightener Canister Assembly .....	124
64. Blower and Mounting Assembly .....	126
65. Brewer Drive Assembly .....	128
66. Brewer Assembly - No Filter) .....	130
67. Brewer Basket Assembly .....	134
68. Basket Lever Assembly .....	136
69. Funnel Assembly .....	138
70. Brewer Barrel Assembly .....	140
71. Overflow Switch Assembly .....	142
72. Cup Turret Assembly .....	144
73. Cup Dispenser Assembly .....	146
74. Cup Station Assembly .....	150
75. Cover and PCB Assembly .....	152
76. Water Inlet Assembly - No Filter Option/Everpure Option .....	154
77. Water Inlet Assembly - Hydrolife Option .....	156
78. Water Tank Assembly .....	158
79. Water Tank Lid Assembly .....	160
80. Valve Assembly - Hot Water Tank .....	162
81. Bracket and Air Pressure Control Assembly .....	164
82. Wiring Diagram - Power Panel .....	166
84. Wiring Diagram - 6-Tray Machine .....	168
85. Wiring Diagram - 3-Tray Machine .....	170
86. Wiring Diagram - Can Module .....	172
87. Wiring Diagram - Hot Drink Section .....	174
88. Wiring Diagram - Snack With Refrigerated Food Module .....	176
91. Accessories (Door Lock Guard) .....	179
92. Accessories (Harnesses) .....	180

# LIST OF TABLES

TABLE	PAGE
2. Trim Components .....	3
3. Trim Component Details .....	5
4. Coin Receptacle Assembly .....	7
5. Door Assembly .....	9
6. Light Assembly - Upper Door .....	11
7. Fluorescent Side Light Assembly .....	13
8. Door Lock and Handle Assembly (Standard Styling) .....	15
9. Gum and Mint Assembly .....	17
10. Delivery Pan Assembly .....	21
11. Delivery Pan Assembly Door Lock Mechanism - Part 1 of 2 (Food Module Equipped Machines Only)	25
12. Delivery Pan Assembly Door Lock Mechanism - Part 2 of 2 (Food Module Equipped Machines Only)	27
13. Bag Assembly B4930004 (With Can Module - U.S./Canada) .....	28
14. Bag Assembly B4930005 (With Food Module - U.S./Canada) .....	28
15. Bag Assembly B4930006 (With Can Module - Latin America - 120 Volt) .....	29
16. Bag Assembly B4930007 (With Food Module - Latin America - 120 Volt) .....	29
17. Base Plate Assembly .....	31
18. Common Cabinet (Part 1 of 4) .....	33
19. Common Cabinet (Part 2 of 4) .....	35
20. Common Cabinet (Part 3 of 4) .....	37
21. Common Cabinet (Part 4 of 4) .....	39
22. Leg, Leveler, and Leg and Hinge Assemblies .....	41
23. Power Panel Assembly (U.S./Latin America) .....	43
24. Monetary Panel Assembly (Part 1 of 3) .....	45
25. Monetary Panel Assembly (Part 2 of 3) .....	47
26. Monetary Panel Assembly (Part 3 of 3) .....	49
28. Card Reader and Bill Validator Combinations .....	53
28 A. Monetary Location Options .....	53
28 B. Bill Validator Options .....	54
28 C. Card Reader Options .....	54
28 D. Coin Mechanism Options .....	55
29. Candy Tray Assembly (Part 1 of 2) .....	57
30. Candy Tray Assembly (Part 2 of 2) .....	59
31. Snack Tray Assembly (Part 1 of 2) .....	61
32. Snack Tray Assembly (Part 2 of 2) .....	63
33. Gum and Mint Tray Assembly (Part 1 of 2) .....	65
34. Gum and Mint Tray Assembly (Part 2 of 2) .....	67
34 A. Spiral Options .....	67
34 B. Price Rolls For Trays .....	67
35. Can and Refrigeration Module .....	69
36. Can Unit Frame Assembly .....	71
37. Can Compartment Assembly .....	73
38. Motor and Ejector Mounting Channel Assembly .....	75
39. Refrigeration Module Assembly - Can (110 V) (Not shown) .....	77
40. Refrigerated Food Module and Housing Assembly .....	79
41. Major Components - Refrigerated Food Module .....	81
42. Refrigeration Module Assembly - refrigerated Food (110 V) (not shown) .....	83
43. Food Module Door Frame Assembly .....	85
44. Refrigerated Food Module - Interior View (Part 1 of 2) .....	87
45. Refrigerated Food Module - Interior View (Part 2 of 2) .....	89

# Snackcombo III Parts Manual

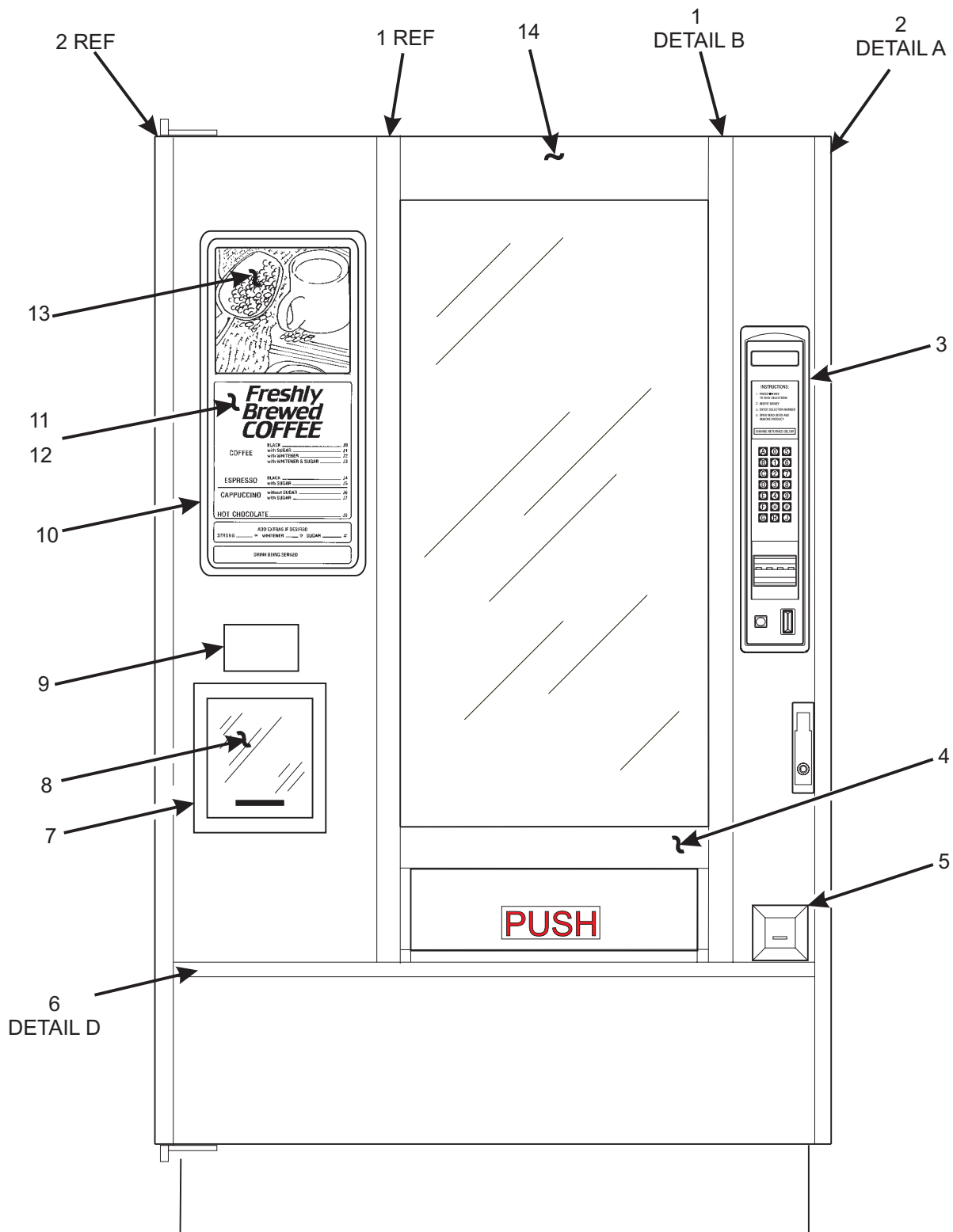
TABLE	PAGE
46. General Tray Assemblies - Refrigerated Food Module .....	91
47. Pusher Module Assembly .....	93
48. Belt Module Assembly .....	95
49. Spiral Module Assembly .....	97
49 A. Spiral Options (For Refrigerated Food Trays) .....	97
50. Door Assembly - Refrigerated Food Module .....	99
51. Left Hand Drive Arm Assembly .....	101
52. Right Hand Drive Arm Assembly .....	103
53. Motor Mounting Bracket Assembly .....	105
54. Hot Drink Module .....	107
55. Fresh Brew Coffee Shelf Assembly .....	109
56. Fresh Brew Chocolate Shelf Assembly .....	111
57. Sugar/Lightener Dispensing System (Without Coffee Whipper) .....	113
58. Sugar and Lightener Dispensing System (With Coffee Whipper) .....	115
59. Dry Ingredient (Sugar/Lightener) Shelf Assembly .....	117
60. Fresh Brew Coffee Canister Assembly .....	119
61. Chocolate Canister Assembly .....	121
62. Sugar Canister Assembly .....	123
63. Lightener Canister Assembly .....	125
64. Blower and Mounting Assembly .....	127
65. Brewer Drive Assembly .....	129
66. Brewer Assembly - No Filter) .....	131
67. Brewer Basket Assembly .....	135
68. Basket Lever Assembly .....	137
69. Funnel Assembly .....	139
70. Brewer Barrel Assembly .....	141
71. Overflow Switch Assembly .....	143
72. Cup Turret Assembly .....	145
73. Cup Dispenser Assembly .....	147
74. Cup Station Assembly .....	151
75. Cover and PCB Assembly .....	153
76. Water Inlet Assembly - No Filter Option/Everpure Option .....	155
77. Water Inlet Assembly - Hydrolife Option .....	157
78. Water Tank Assembly .....	159
79. Water Tank Lid Assembly .....	161
80. Valve Assembly - Hot Water Tank .....	163
81. Bracket and Air Pressure Control Assembly .....	165
82. Wiring Diagram - Power Panel .....	166
83. Power Cord .....	167
84. Wiring Diagram - 6-Tray Machine .....	169
85. Wiring Diagram - 3-Tray Machine .....	171
86. Wiring Diagram - Can Module .....	173
87. Wiring Diagram - Hot Drink Section .....	175
88. Wiring Diagram - Snack With Refrigerated Food Module .....	177
89. Tubing .....	178
90. Money Box Lock Accessory .....	178
91. Accessories (Door Lock Guard) .....	179



493P0012

Figure 1. 493 Merchandiser

# Snackcombo III Parts Manual



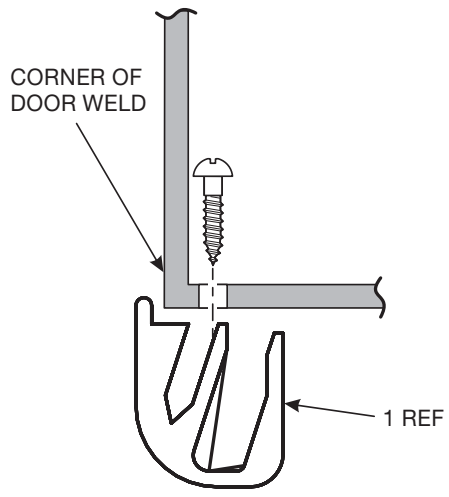
493P0016

Figure 2. Trim Components

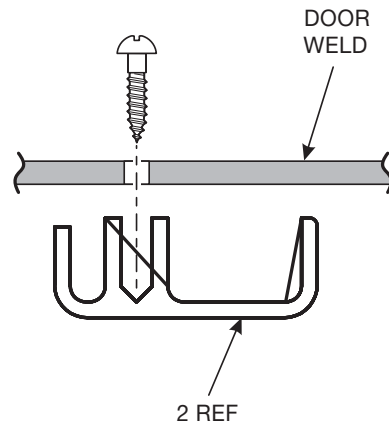


**TABLE 2. TRIM COMPONENTS**

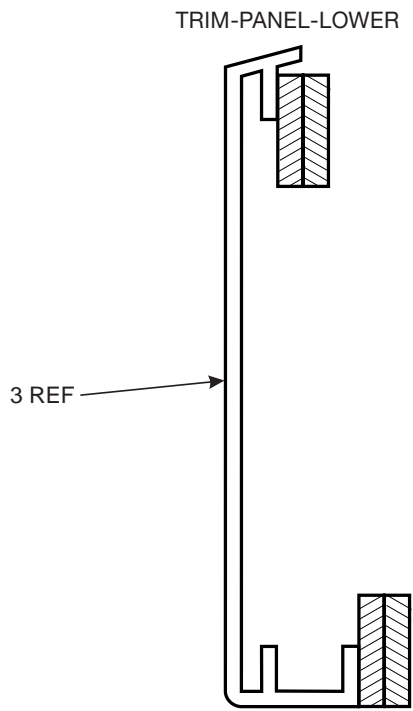
INDEX	PART NUMBER	DESCRIPTION	QTY.
1	1592031	TRIM - DOOR - INSIDE - CLEAR	2
	1592068	TRIM - DOOR - INSIDE - BLACK	
2	1592032	TRIM - DOOR - SIDE - CLEAR	2
	1592069	TRIM - DOOR - SIDE - BLACK	
3	1571047	CASTING - MONETARY - FRAME	1
4	1602037	TRIM PANEL - GLASS - LOWER - BLACK	1
5	1572011	TRIM - COIN CUP - BLACK	1
6	4932012	TRIM - DOOR - HORIZONTAL - CLEAR	1
	4932013	TRIM - DOOR - HORIZONTAL - BLACK	
7	4732035	TRIM ASSEMBLY - DELIVERY - CUP STATION	1
8	4732022	DOOR - DELIVERY - SILKSCREENED	1
9	6272001	LABEL - CAUTION - HOT BEVERAGES	1
10	4752043	FRAME - PRODUCT IDENTIFIER	1
11	4752105	LENS - SELECTION INSERT	1
12	4752122	INSERT - SELECTION - RC3 - FRESH BREW (U.S./ENGLISH)	1
	4752129	INSERT - SELECTION - RC3 - FRESH BREW (ARGENTINA/SPANISH)	
13	4752120	DISPLAY - PHOTO - P.O.P.	1
14	1602029	TRIM - PANEL - TOP - MED-GRAY	1
	1602040	TRIM - PANEL - TOP - FLAT T-BLACK	



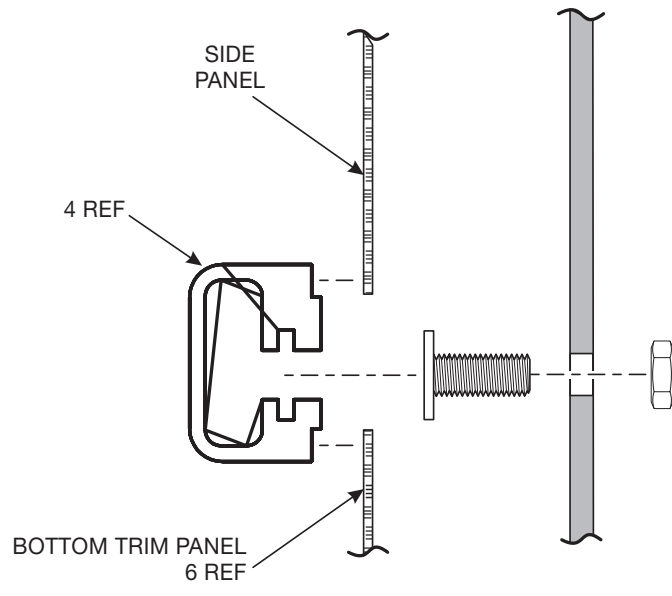
DETAIL A



DETAIL B



DETAIL C



DETAIL D

Figure 3. Trim Component Details

**TABLE 3. TRIM COMPONENT DETAILS**

INDEX	PART NUMBER	DESCRIPTION	QTY.
1	1592031	TRIM - DOOR - INSIDE - CLEAR	2
	1592068	TRIM - DOOR - INSIDE - BLACK	
2	1592032	TRIM - DOOR - SIDE - CLEAR	2
	1592069	TRIM - DOOR - SIDE - BLACK	
3	1571047	CASTING - MONETARY - FRAME	1
4	1602037	TRIM PANEL - GLASS - LOWER - BLACK	1
6	4932012	TRIM - DOOR - HORIZONTAL - CLEAR	1
	4932013	TRIM - DOOR - HORIZONTAL - BLACK	

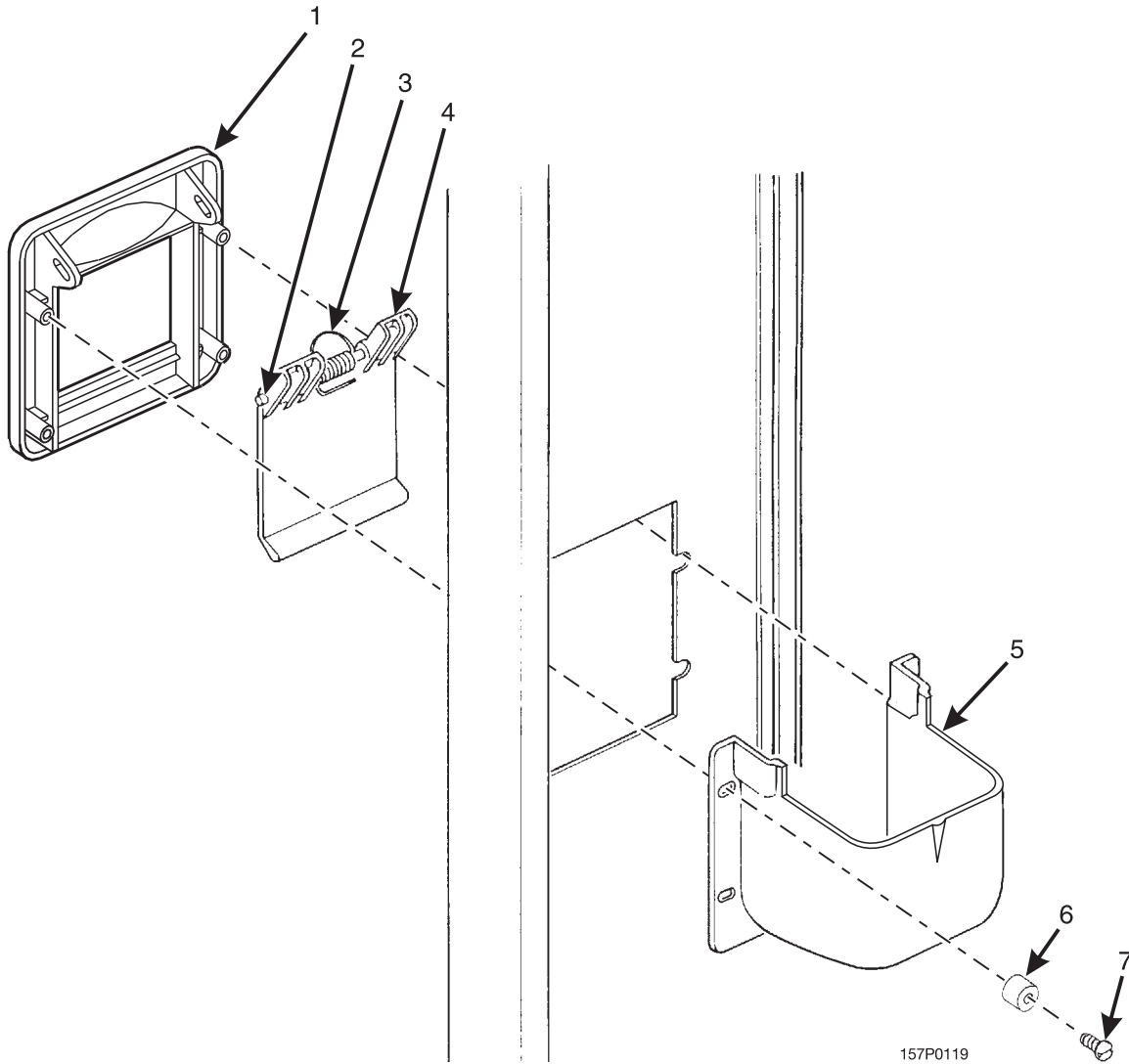


Figure 4. Coin Receptacle Assembly

**TABLE 4. COIN RECEPTACLE ASSEMBLY**

INDEX	PART NUMBER	DESCRIPTION	QTY.
1	1572011	TRIM - COIN CUP - BLACK	REF.
2	4245084	SHAFT - DOOR - COIN RETURN	1
3	4245083	SPRING - COIN RETURN DOOR	1
4	4245082	GATE - COIN RETURN	1
5	1572010	CUP COIN RETURN	1
6	2302053	SPACER - CUP	4
7	4042512	SCREW, #8-32 X 1/2 PHS S/T	4

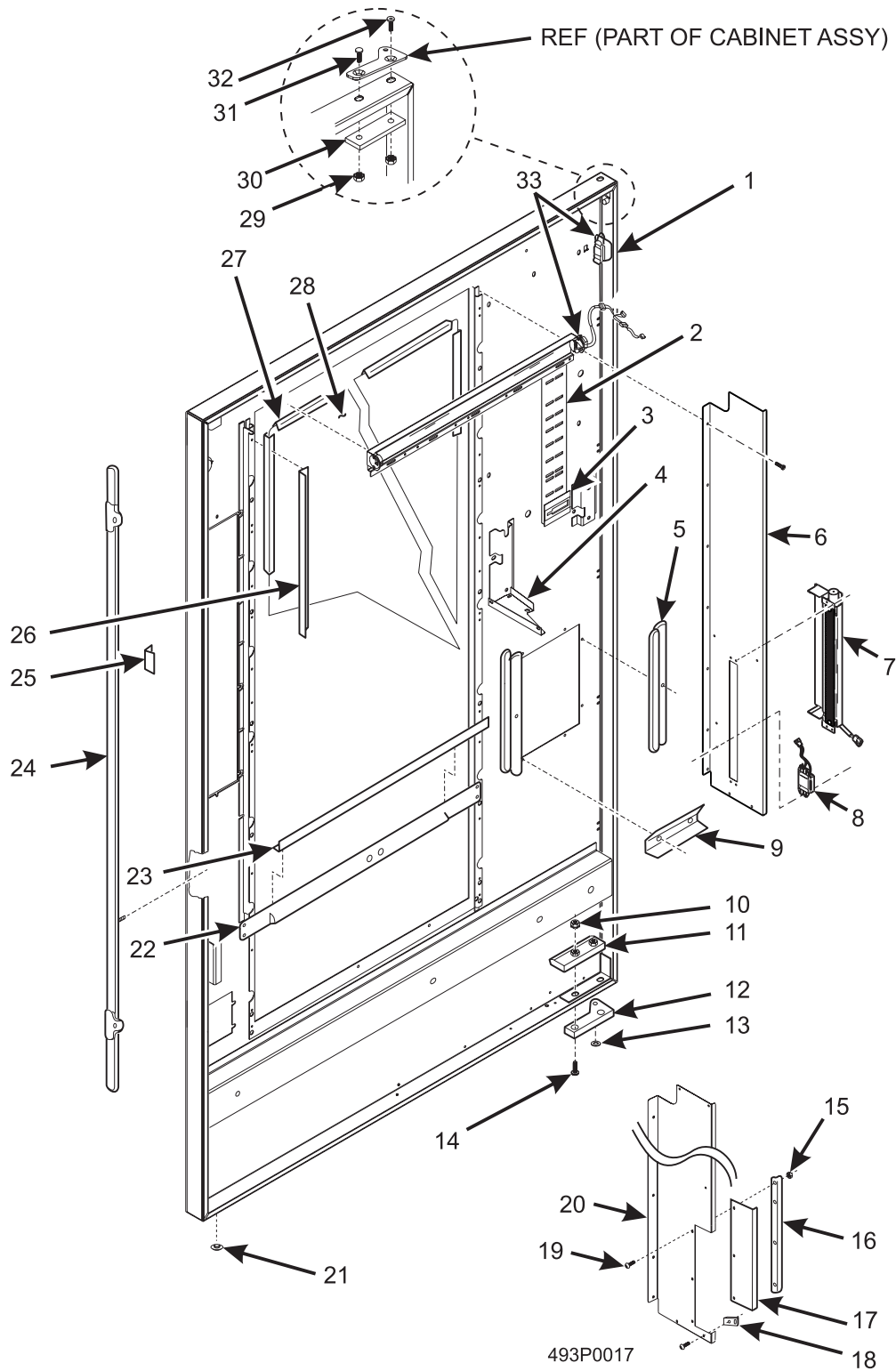
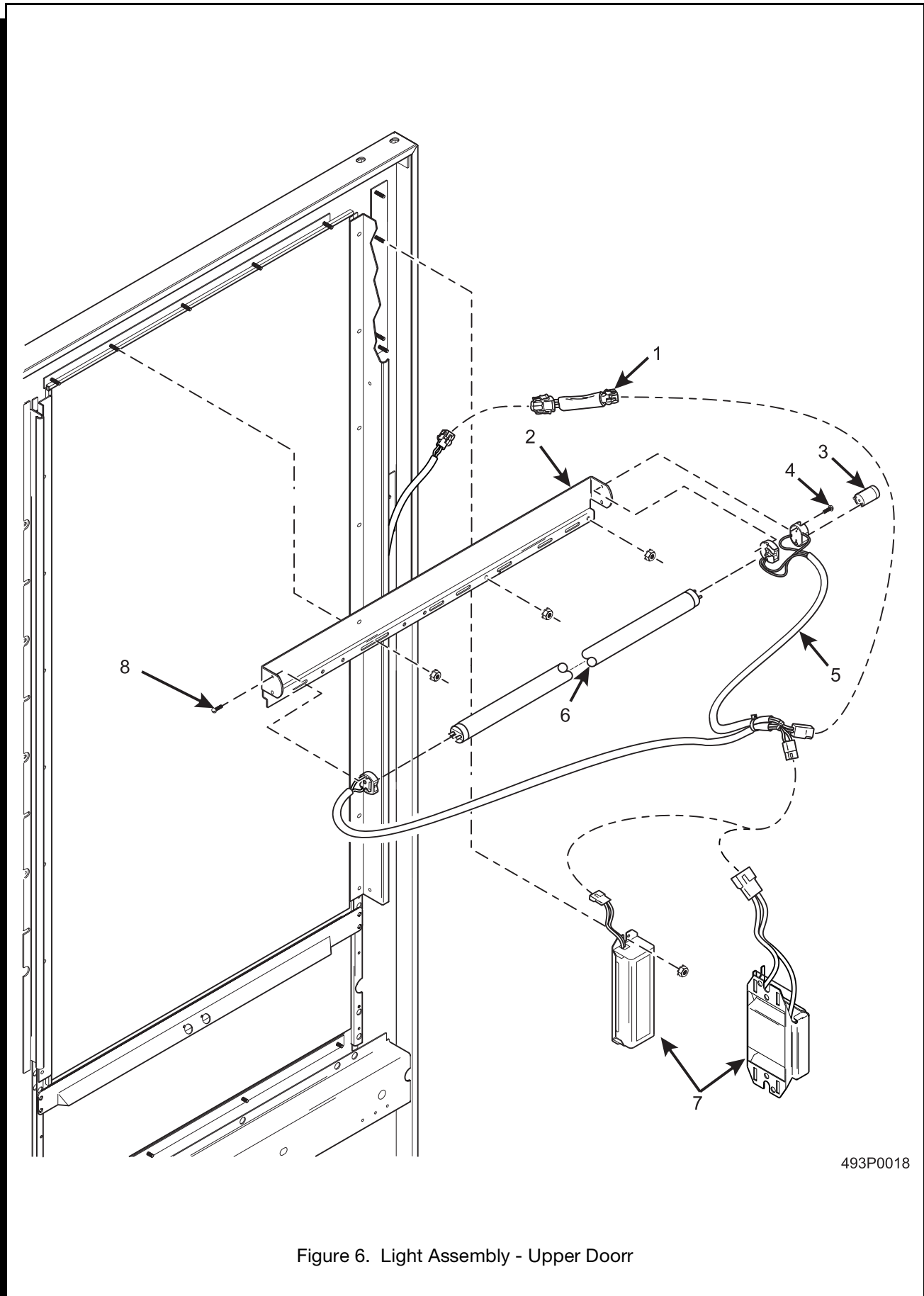


Figure 5. Door Assembly

**TABLE 5. DOOR ASSEMBLY**

INDEX	PART NUMBER	DESCRIPTION	QTY.
1	4852099	WELD ASSEMBLY - DOOR - NV BLACK (ALL STYLES)	1
2	4852042	CHANNEL - PRICE ROLLS	1
3	4852084	LIGHT ASSEMBLY - INDICATOR	1
4	4852045	GUSSET - RETAINER - L.H.	1
-	1170206	SCREW #8-32X3/8 THS BLACK	1
-	9900081	NUT #8-32 KEPS ZINC PLATE	1
5	4852080	DOOR GUIDE - CUP STATION	2
6	4852050	RETAINER - GLASS - W/ SIDE LIGHT	OPT
7	-	FLUORESCENT SIDE LIGHT ASSEMBLY - COVERED (WITH INDEX #6 ONLY) (SEE FIGURE 7 FOR DETAILS)	1
8	4401016	BALLAST ASSEMBLY (110V)	1
8	4851085	BALLAST ASSEMBLY (230V)	1
9	4852079	BRACKET - VEND DOOR STOP	1
10	1211105	1/4-20 KEPS NUT EXT LW ZP	1
11	6232028	PLATE ASSEMBLY - HINGE MTG.	1
12	6232031	HINGE ASSEMBLY - DOOR - LOWER	1
13	4242145	BEARING - THRUST - LOWER HINGE	1
14	6232208	WELD SCREW - #1/4 - 20 X 1" LG	1
15	9900081	NUT #8-32 KEPS ZINC PLATE	1
16	4722024	ANGLE - END PLATE SHIELD	1
17	4852047	SHIELD - DISPLAY END PLATE	1
18	4722025	BRACKET - END PLATE SHIELD	1
19	1170206	SCREW #8-32 X 3/8 THS BLACK	3
20	4852046	RETAINER - GLASS - WITHOUT SIDE LIGHT	OPT
-	1451097	SCREW - 8-32X.31 HEX HD. TF-BLK. (ATTACHING PARTS FOR INDEX #20)	7
21	6342038	BUTTON PLUG - 1/4 - FLUSH TYPE	1
22	1582076	PANEL ASSEMBLY - GLASS - LOWER	1
23	1582074	CHANNEL - GLASS - LOWER	1
24	1472178	LOCK BAR ASSEMBLY	1
25	1472250	GUIDE - LOCK BAR	1
26	1472048	PLATE - GLASS RETAINING	1
27	1451097	SCREW - #8-32X.31 HEX HD.TF-BLK.	7
-	6232092	EXTRUSION - GLASS - CHANNEL	1
28	1582075	GLASS - DISPLAY	1
29	1211105	1/4 - 20 KEPS NUT EXT LW ZP	1
30	6232028	PLATE ASSEMBLY - HINGE MTG.	1
31	6232208	WELD SCREW - 1/4 - 20 X 1" LG	1
32	6232036	SCREW - 5/16 - 18X.75 FLAT HEAD SOCKET	1
33	-	UPPER DOOR LIGHT ASSEMBLY & BALLAST (SEE FIGURE 6 FOR DETAILS)	1



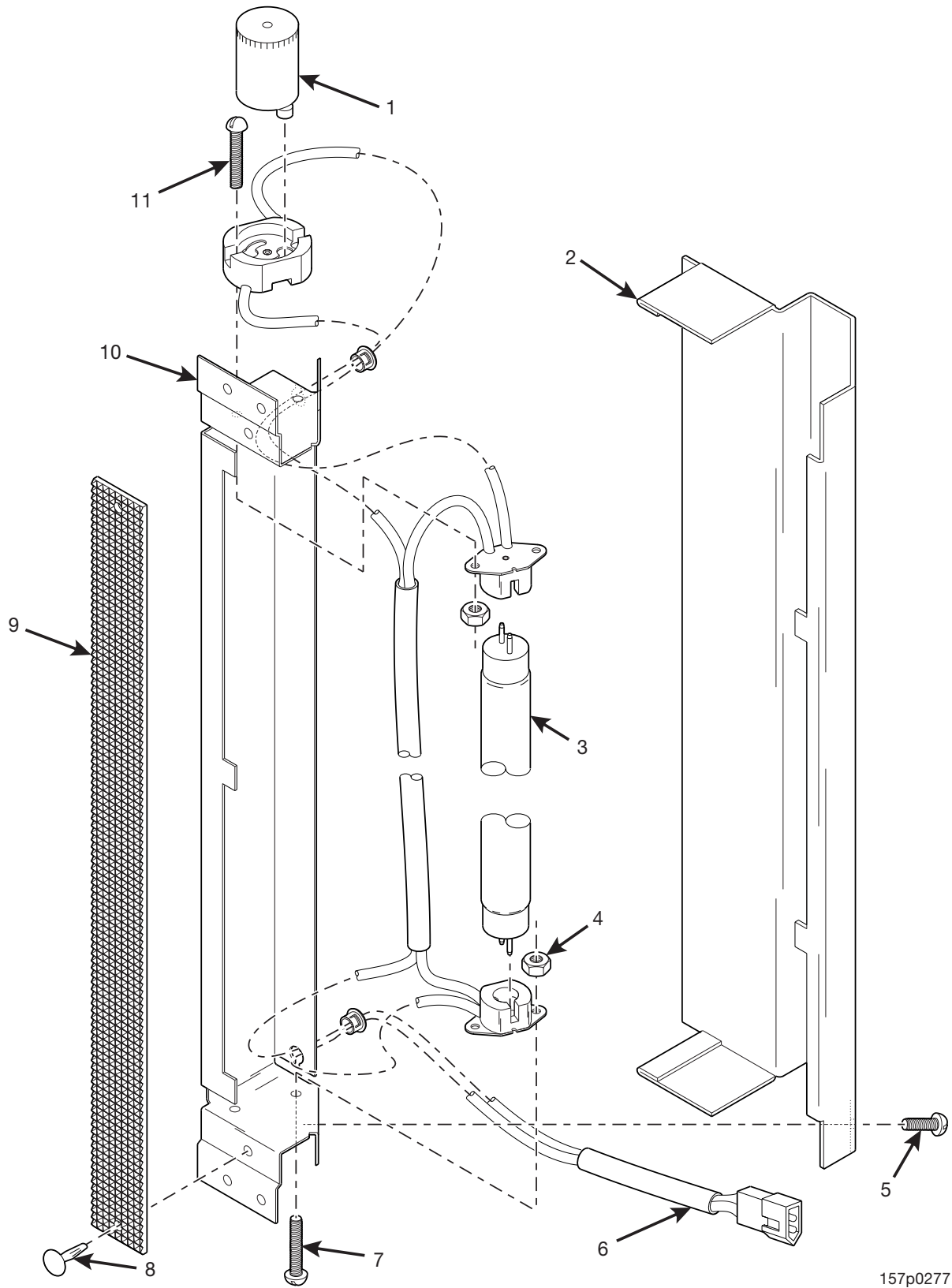
493P0018

Figure 6. Light Assembly - Upper Door



**TABLE 6. LIGHT ASSEMBLY - UPPER DOOR**

INDEX	PART NUMBER	DESCRIPTION	QTY.
-	1702003	LIGHT ASSEMBLY-UPPER-DOOR (20W) (120V)	1
1	1451124	SUPPRESSION NETWORK ASSEMBLY (ALL 120V MODELS)	1
	6332010	SUPPRESSION NETWORK ASSEMBLY (ALL 230V MODELS)	
2	1582025	BRACKET - LIGHT - COMMON - 20W	1
3	2222095	STARTER (20W)	1
4	3107171	SCREW - #4-36X5.8 RHS	2
5	1709015	HARNESS - DOOR - FLUOR. LIGHT	1
6	1122138	FLUORESCENT LAMP (20W)	1
7	3151058	BALLAST-120V	1
	1572016	BALLAST - 230V	
8	1452046	SCREW - 4-36 X .437 RHS	1

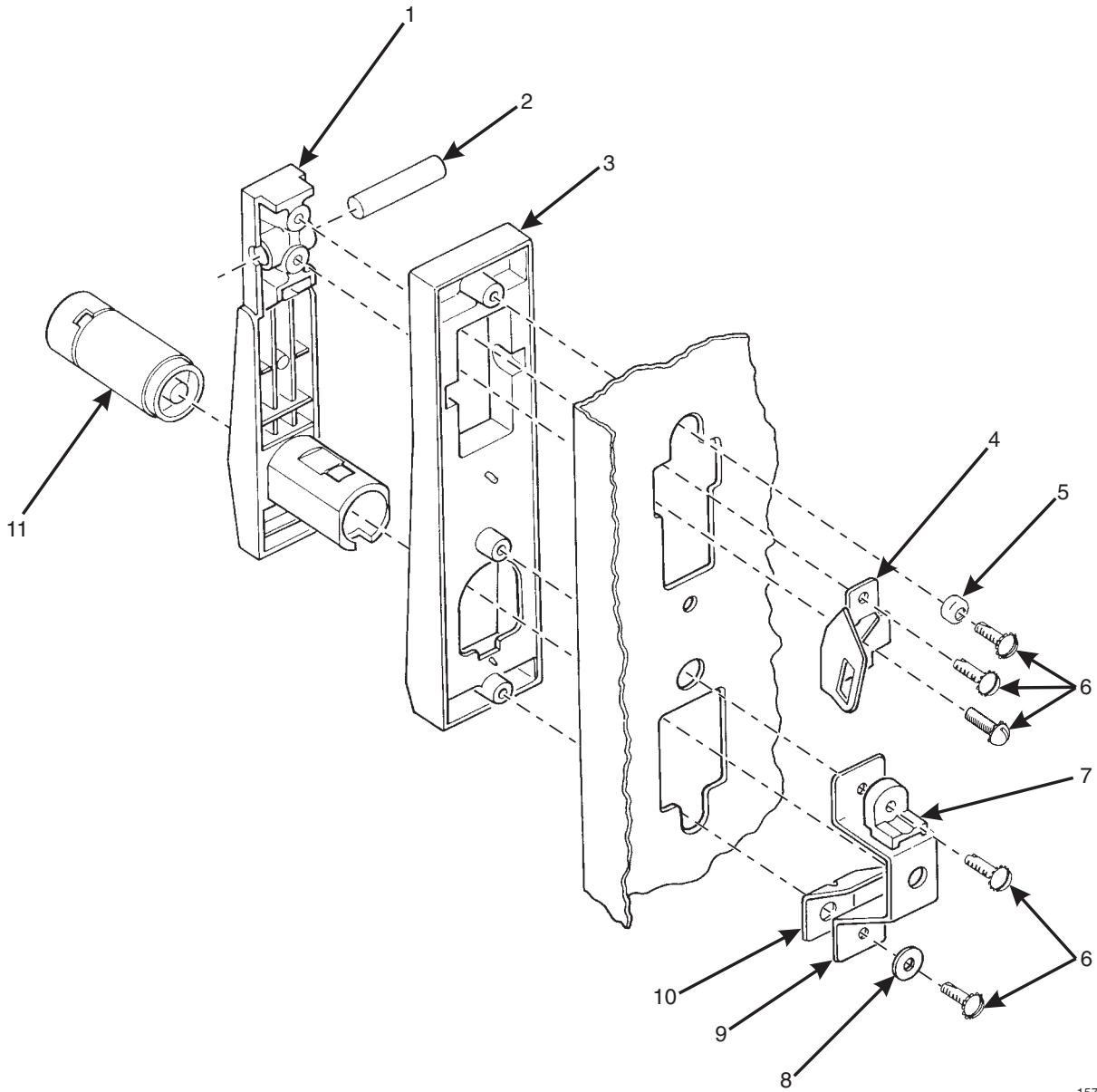


157p0277

Figure 7. Fluorescent Side Light Assembly

**TABLE 7. FLUORESCENT SIDE LIGHT ASSEMBLY**

INDEX	PART NUMBER	DESCRIPTION	QTY.
-	1572023	FLUORESCENT SIDE LIGHT ASSEMBLY	1
1	1212148	FLUORESCENT STARTER FS 5	1
2	4852049	COVER - LIGHT	1
3	2146059	LAMP - FLUORESCENT 8 WATT F8T5/CW	1
4	2222227	NUT - #4-40 SELF LOCKING	4
5	9900019	SCREW - #8-32 X 3/8 RHS	2
6	4849008	HARNESS - FLST. LT. - FOOD MODULE	1
7	6106341	SCREW - #4-40 X 3/8 RHS	2
8	4042556	CANOE CLIP	2
9	4842004	DIFFUSER - LIGHT	1
10	4842015	HOUSING - LIGHT - COMMON	1
11	1212139	SCREW - 4-40X1/2 RHS MACH SCR ZP	2



157P0243

Figure 8. Door Lock and Handle Assembly (Standard Styling)

**TABLE 8. DOOR LOCK AND HANDLE ASSEMBLY (STANDARD STYLING)**

INDEX	PART NUMBER	DESCRIPTION	QTY.
1	1172190	LEVER - LOCK	1
2	1302291	PIVOT - LEVER LOCK	1
3	1172191	BASE - LEVER LOCK	1
4	2272052	ACTUATOR ASSEMBLY - LOCK BAR	1
5	1302289	CUP SPACER	1
6	1217161	SCREW - #10-32 X ½ RHS W/LW	5
7	1302326	SHIELD - LATCH	1
8	9900121	WASHER - STEEL - 7/16 X .203 X .032	1
9	1302324	CATCH - DOOR LATCH	1
10	1302290	LATCH - LOCK LOWER	1
11	9992400	CYLINDER - LOCK	1
11	3112163	VAN LOCK	OPT
-	3112164	KEY (NOT SHOWN) VAN LOCK APPLICATION (NOT SHOWN)	1 OPT

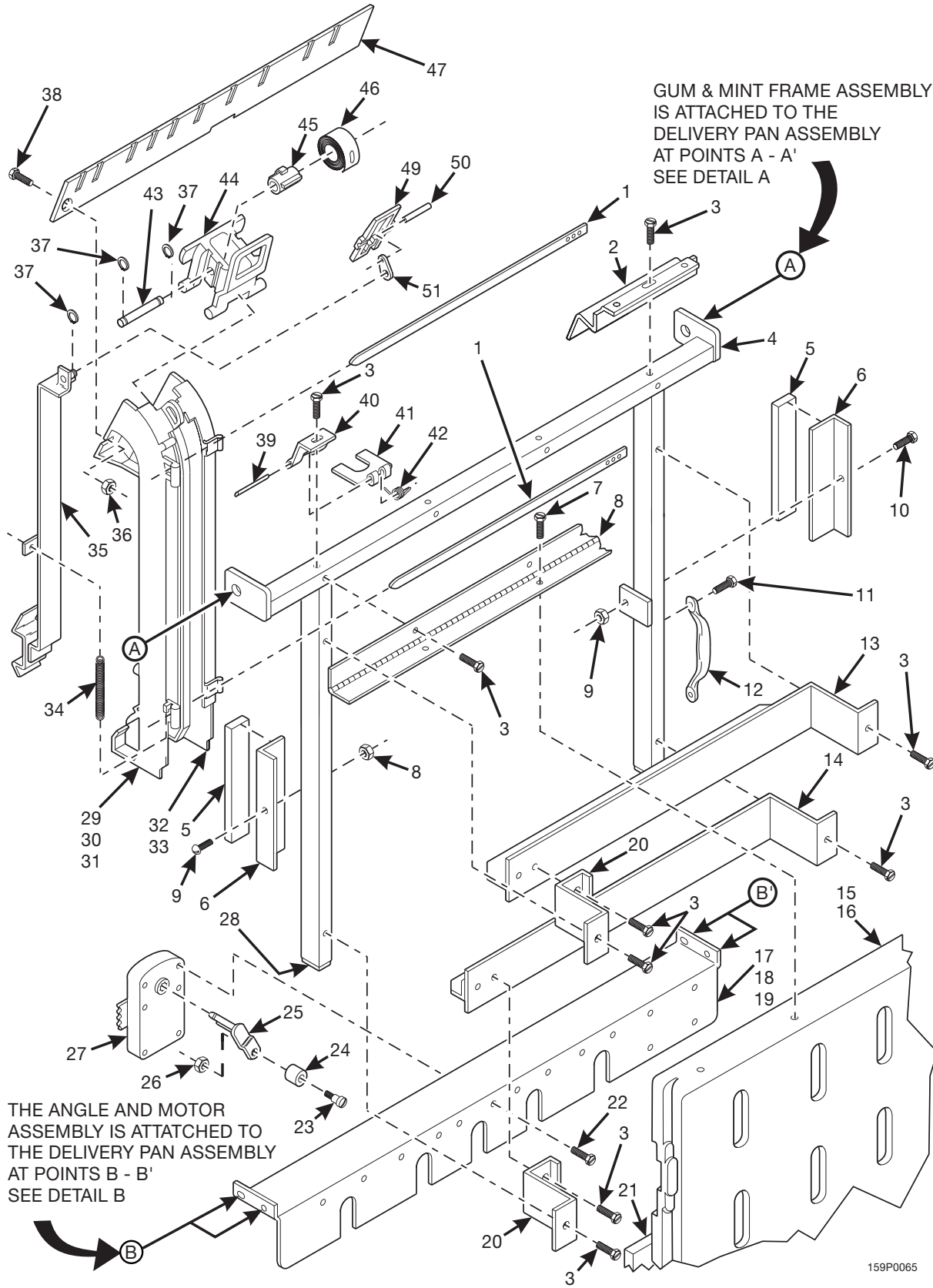


Figure 9. Gum and Mint Assembly

**TABLE 9. GUM AND MINT ASSEMBLY**

INDEX	PART NUMBER	DESCRIPTION	QTY.
-	1587000	GUM & MINT COLUMN	-
1	1479096	RETAINER	3
2	1479103	FILLER - GUM & MINT	2
3	1451097	SCREW - #8-32 X .31 HEX HD. TF - BLK	-
4	1489008	FRAME ASSEMBLY - GUM & MINT	1
5	3122056	MAGNET RETAINER - COIN CHANGER	2
6	1479117	ANGLE - MAGNET	2
7	1437207	SCREW	4
8	1479104	HINGE - COVER	1
9	1412046	8-32 NUT MF 23TW832 BLOX	2
10	9900201	SCREW #8-32 X 5/16 RHS SEMS MACH ZINC	2
11	4041053	SCREW #10-32 X 3/8 PHS T/C W/LW	2
12	1479139	PULL - DOOR	1
13	1479089	SUPPORT ASSEMBLY - MAGAZINE - UPPER	1
14	1479092	SUPPORT ASSEMBLY - MAGAZINE - LOWER	1
15	1479125	COVER ASSEMBLY	1
16	1479124	LABEL - LOADING - GUM & MINT (NOT SHOWN)	1
17	1489005	ANGLE - MOTOR	1
18	6131143	CABLE CLAMP RICHCO #KKC6	2
19	1452139	(NRI15590-6) CABLE CLIP #805-3M	1
20	1479095	BRACKET - MAGAZINE	2
21	1479119	MAGNET - RETAINER	2
22	1457027	8-32 X .81 HHSI TAPTITE Z/Y	10
23	1479062	STUD - DRIVE ARM	5
24	1479063	ROLLER - DRIVE ARM	5
25	1479145	ARM - DRIVE MOTOR	5
26	9900081	NUT #8-32 KEPS ZINC PLATE	5
27	1577035	MOTOR & PCB ASSEMBLY	5
28	1479120	CAPLUG - REC. 1/2 X 1	2
29	1479076	CHANNEL - GUM & MINT - RIGHT - SMALL	3
30	1479077	CHANNEL - GUM & MINT - RIGHT - LARGE	2
31	1572140	LABEL - LOADING LINE - GUM & MINT	1
32	1479075	CHANNEL - GUM & MINT - LEFT	5
33	1479064	SPACER - COLUMN - GUM & MINT	2
34	4246307	SPRING - HORIZONTAL SELECTOR ARM	5
35	1479123	DRIVE BAR & STUD ASSEMBLY	5
36	9900081	NUT #8-32 KEPS ZINC PLATE	1
37	9900425	RETAINING RING REINF E TYP. 250	15

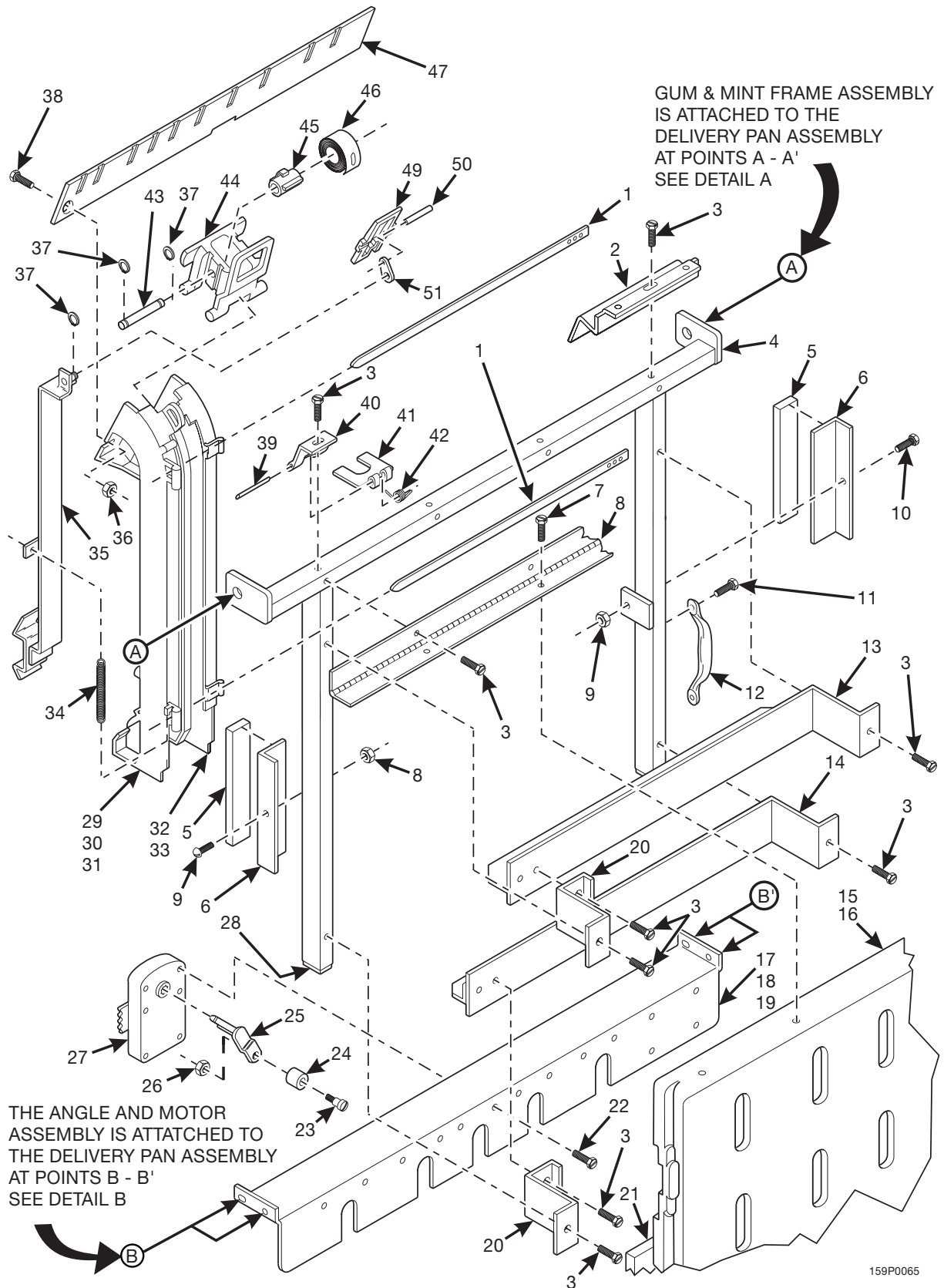


Figure 9. Gum and Mint Assembly (Continued)



**TABLE 9. GUM AND MINT ASSEMBLY (CONTINUED)**

INDEX	PART NUMBER	DESCRIPTION	QTY.
38	9900020	SCREW #8-32 X 1/2 RHS MACH. ZINC	1
39	1479083	PIN - HINGE	5
40	1479082	HINGE - BACK	5
41	1479081	HINGE - FRONT	5
42	1479084	SPRING - HINGE	5
43	1479099	PIN - PUSHER	5
44	1479079	PUSHER	5
45	1479080	SPOOL - SPRING	5
46	1479106	SPRING - PUSHER	5
47	1479105	WINDOW - GUM & MINT	1
48	1479078	EJECTOR - GUM & MINT	5
49	1479098	PIN - EJECTOR	5
50	1479097	LINK - EJECTOR	5
51	1579012	HARNESS - GUM & MINT (NOT SHOWN)	1

**THE FOLLOWING ARE AVAILABLE AS ASSEMBLIES:**

PART NUMBER	DESCRIPTION
1587001	ANGLE & MOTOR ASSEMBLY (USES INDEX NUMBERS 16, 17, 21-26 & 28)
1489006	MAGAZINE ASSEMBLY - GUM & MINT (INCLUDES INDEX NUMBERS 2, 3, 5, 8, 15, 16, 20, 23, 29-50)
1479126	ARM & ROLLER ASSEMBLY (INCLUDES INDEX NUMBERS 23 - 26)

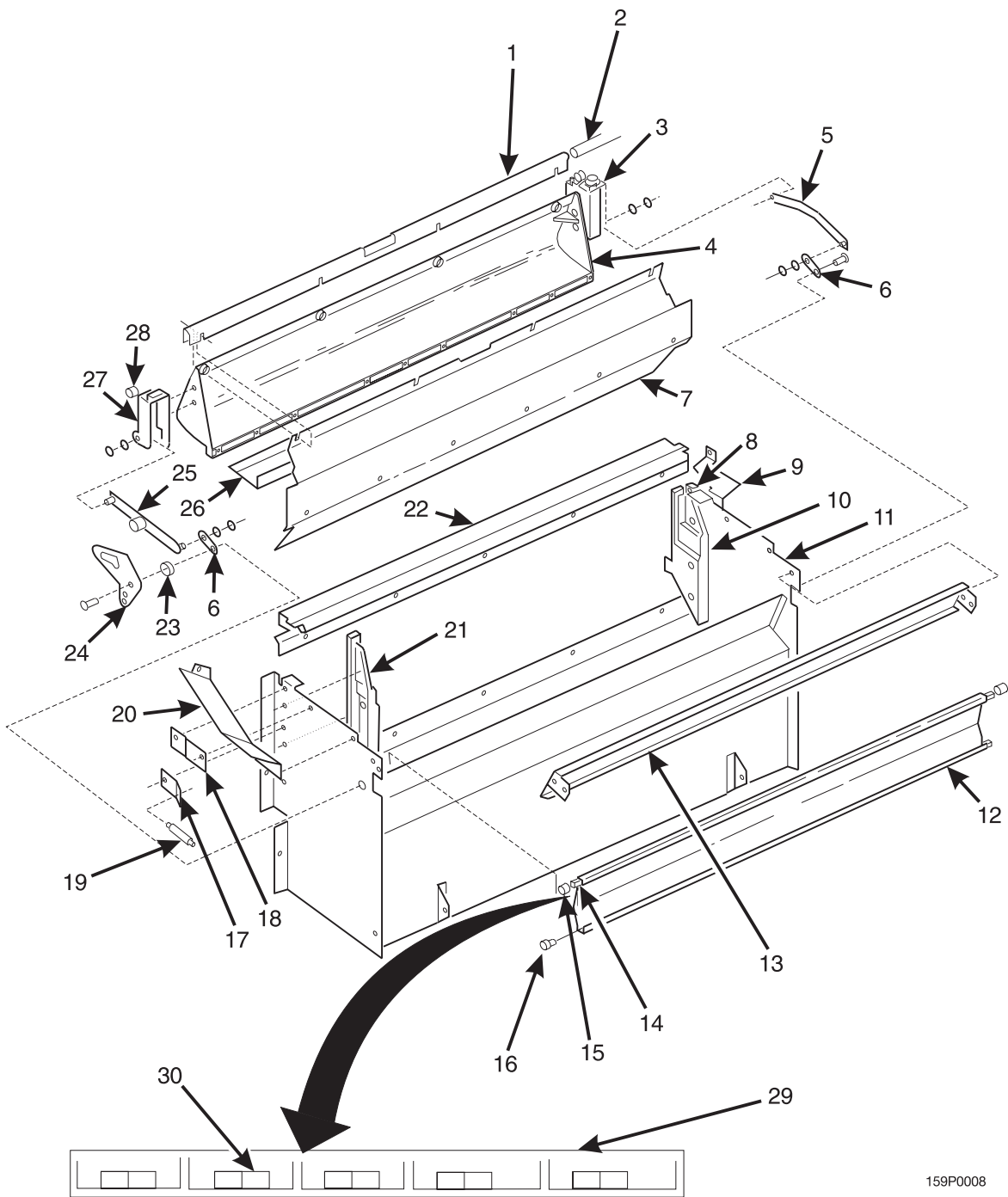
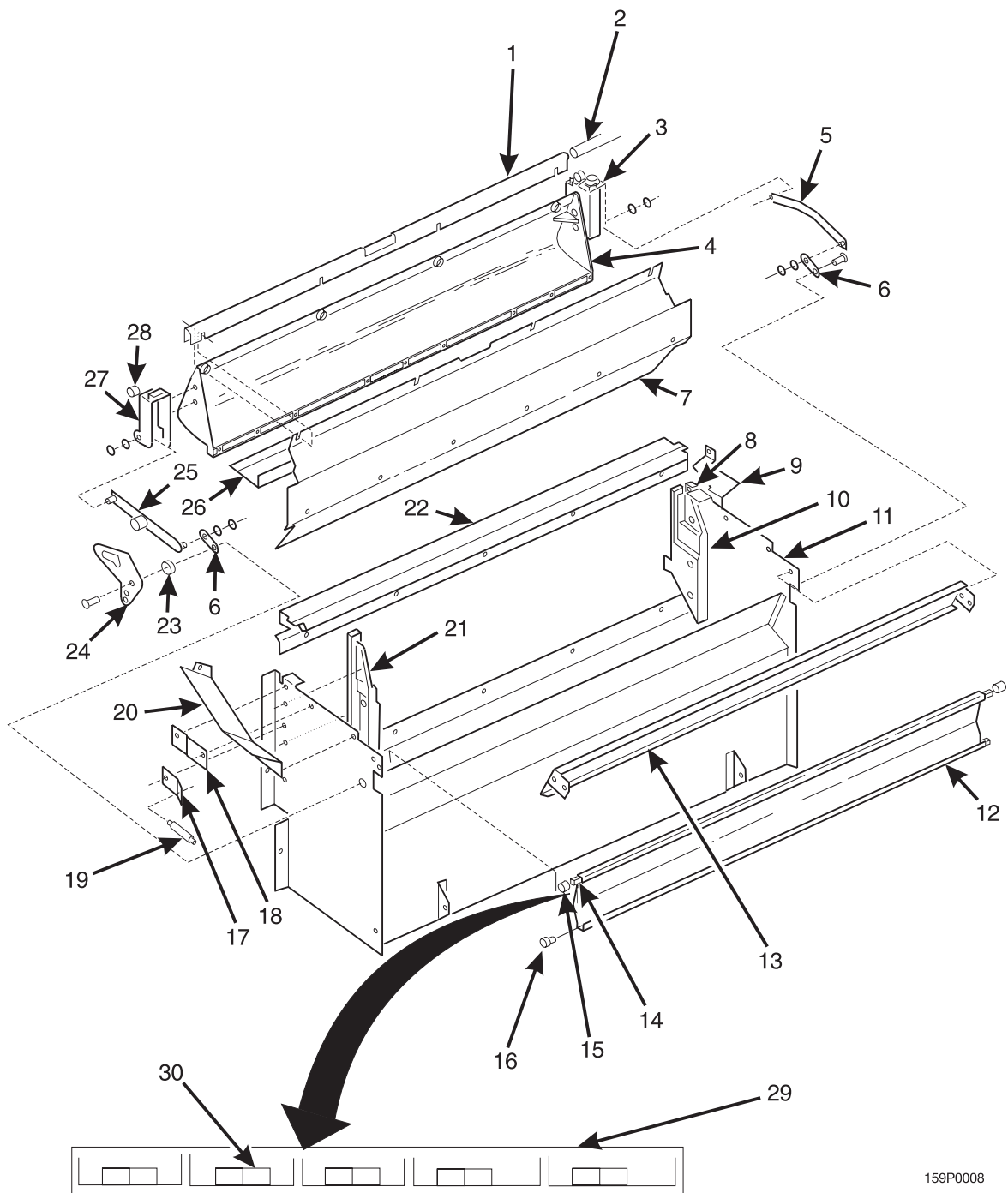


Figure 10. Delivery Pan Assembly

**TABLE 10. DELIVERY PAN ASSEMBLY**

INDEX	PART NUMBER	DESCRIPTION	QTY.
-	4932005	DELIVERY PAN ASSEMBLY	1
1	1462035	CHANNEL - DOOR	1
-	1170206	SCREW #8-32 X 3/8 THS BLACK	4
-	1402052	NUT CARRIAGE #8-32	4
2	1482002	SHAFT - DOOR PIVOT	1
3	1482252	ACTUATOR - DELIVERY DOOR - L.H.	1
-	1170206	SCREW - #8-32 X 3/8 THS BLACK	2
-	1412046	8-32 NUT MF 23TW832 BLOX	2
4	1582024	DOOR - DELIVERY	1
5	4402017	ACTUATOR ASSEMBLY	1
-	9900146	RETAINING RING E TYPE .312	2
-	9900171	WASHER BRASS 9/16 X.315 X.040	2
6	1472145	ACTUATOR - REAR PIVOT	2
-	1170206	SCREW - #8-32X3/8 THS BLACK	1
-	9900202	SCREW - #8-32 X 5/8 PHS W/LKW	1
-	2204093	WASHER - SCAVENGER BAR	1
7	1482163	LINER - DOOR - PILFERAGE (160/468/490/493)	1
-	7207019	SCREW - #8-18 X 3/8 PHS TAPPING	6
8	1472069	BRACKET - DOOR PIVOT - L.H.	1
-	1170206	SCREW - #8-32 X 3/8 THS BLACK	1
-	9900081	NUT - #8-32 KEPS ZINC PLATE	1
9	4852044	DEFLECTOR - L.H.	1
-	1170206	SCREW - #8-32 X 3/8 THS BLACK	2
-	9900081	NUT - #8-32 KEPS ZINC PLATE	2
10	1602034	FILLER-LEFT	1
-	1306140	8-32 X 3/8 CARR BOLT BLK/OX	3
-	9900081	NUT #8-32 KEPS ZINC PLATE	3
11	1602038	WELD ASSY-DELIVERY PAN	1
12	1482171	ASSEMBLY - REAR DELIVERY DOOR	1
13	1482159	FILLER - LEFT - GRAY	1
-	1451097	SCREW - #8-32 X .31 HEX HD.TF - BLK.	4
14	1472087	WASHER - .38 I.D. X .56 O.D	2
15	1472083	SPACER	2
16	4042556	CANOE CLIP	2
17	2342110	BRACKET - SPRING	1
18	1472068	BRACKET - DOOR PIVOT-R.H.	1
-	1170206	SCREW - #8-32 X 3/8 THS BLACK	1
-	9900081	NUT - #8-32 KEPS ZINC PLATE	1



159P0008

Figure 10. Delivery Pan Assembly (Continued)

**TABLE 10. DELIVERY PAN ASSEMBLY (CONTINUED)**

INDEX	PART NUMBER	DESCRIPTION	QTY.
19	4246044	SPRING - ELEVATOR GUIDE ARM	1
20	1572029	DEFLECTOR - PRODUCT - R.H.	1
-	1170206	SCREW - #8-32 X 3/8 THS BLACK	2
-	9900081	NUT - #8-32 KEPS ZINC PLATE	2
21	1412022	FILLER - RIGHT	1
-	1306140	8-32 X 3/8 CARR BOLT BLK/OX	3
-	9900081	NUT - #8-32 KEPS ZINC PLATE	3
22	1482187	PAN - DELIVERY - FRONT - GRAY	1
-	1306140	8-32 X 3/8 CARR BOLT BLK/OX	4
-	9900081	NUT #8-32 KEPS ZINC PLATE	3
23	2342109	BUSHING - DELIVERY - LINKAGE	1
24	4402016	PLATE - DOOR RETENTION	1
25	1472156	ACTUATOR ASSEMBLY - RIGHT	1
-	9900146	RETAINING RING E TYPE .312	2
-	9900171	WASHER BRASS 9/16 X.315 X.040	2
26	1462073	ANGLE - DELIVERY DOOR	1
27	1482251	ACTUATOR - DELIVERY DOOR - R.H.	1
-	1170206	SCREW - #8-32 X 3/8 THS BLACK	2
-	1412046	8-32 NUT MF 23TW832 BLOX	2
28	1472219	SPACER	2
29	1472430	LABEL - GUM AND MINT	1

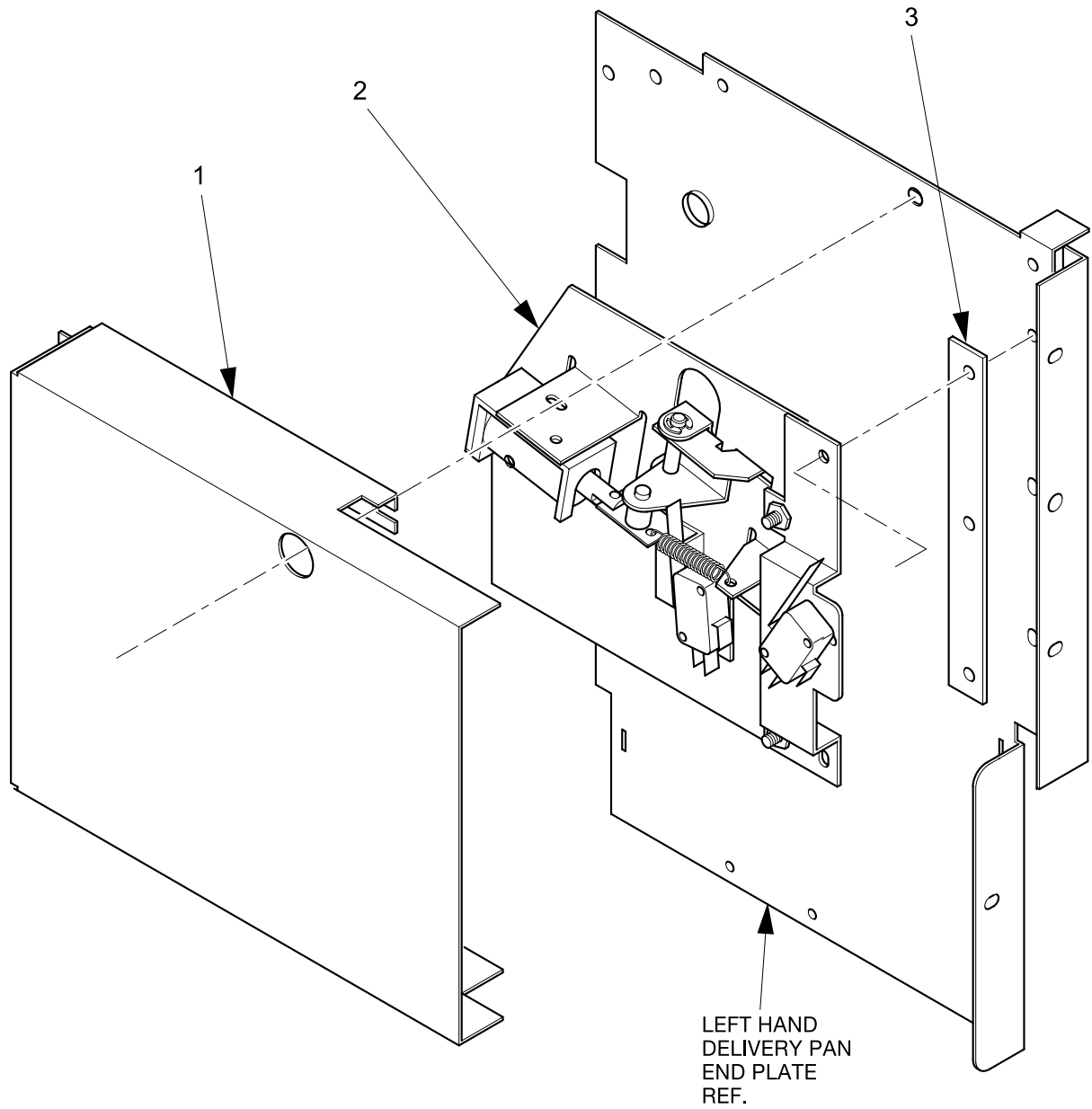
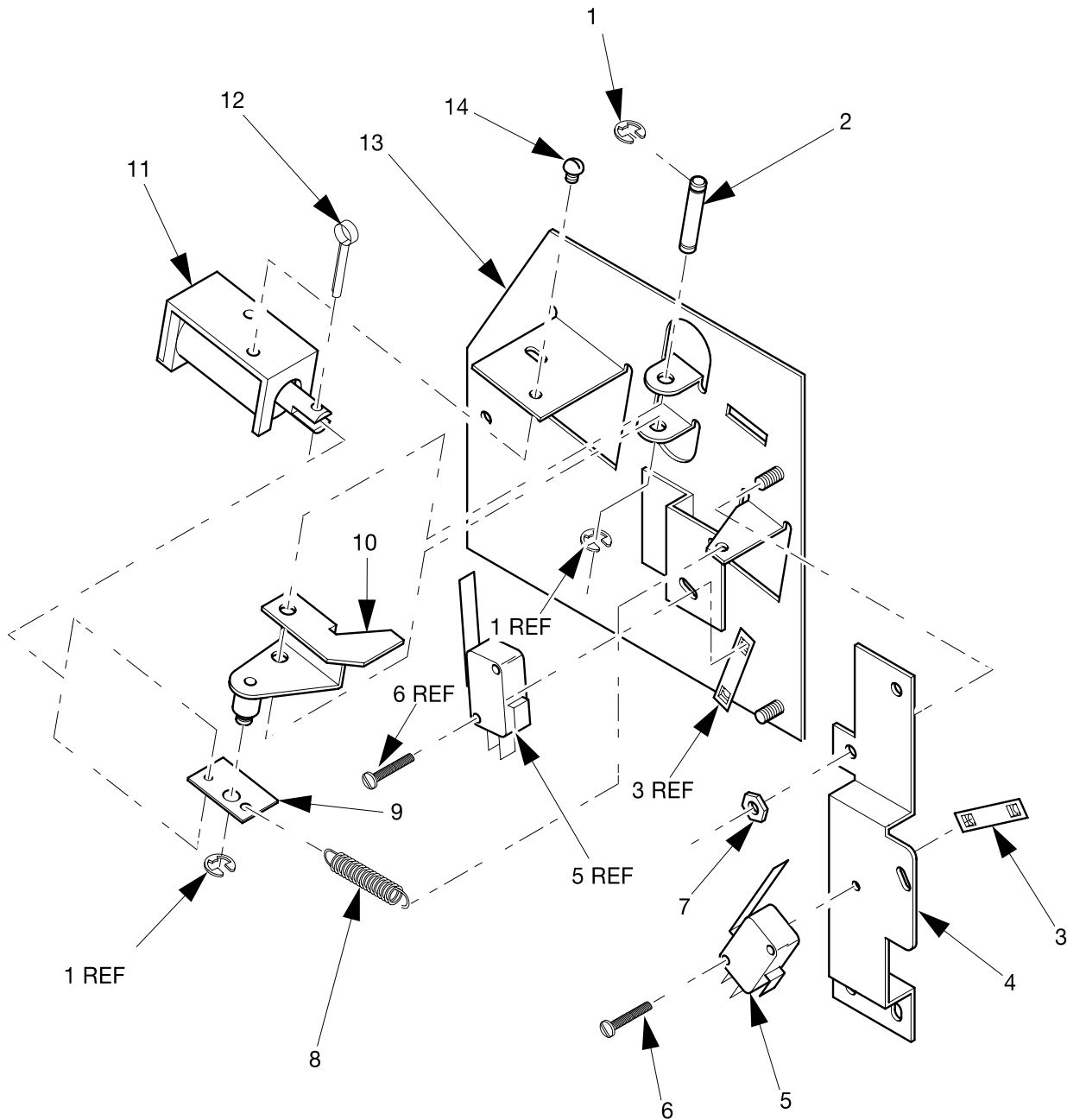


Figure 11. Delivery Pan Assembly Door Lock Mechanism - Part 1 of 2 (Food Module Equipped Machines Only)

**TABLE 11. DELIVERY PAN ASSEMBLY DOOR LOCK MECHANISM - PART 1 OF 2 (FOOD MODULE EQUIPPED MACHINES ONLY)**

<b>INDEX</b>	<b>PART NUMBER</b>	<b>DESCRIPTION</b>	<b>QTY.</b>
1	4402027	COVER - LATCH MECHANISM	1
2	1572268	LATCH MOUNTING PLATE ASSEMBLY	1
3	1572265	SPACER - SOLENOID LOCK	2



467p0008

Figure 12. Delivery Pan Assembly Door Lock Mechanism - Part 2 of 2 (Food Module Equipped Machines Only)



**TABLE 12. DELIVERY PAN ASSEMBLY DOOR LOCK MECHANISM - PART 2 OF 2 (FOOD MODULE EQUIPPED MACHINES ONLY)**

INDEX	PART NUMBER	DESCRIPTION	QTY.
1	9900418	RETAINING RING - REINF "E" TYPE - .187	3
2	4402022	PIN - LATCH	1
3	4302316	FASTENER - TWIN TYPE	2
4	1572264	BRACKET - SWITCH MOUNTING	1
5	9984633	SWITCH - LEVER - 1 7/8	2
6	1217160	4-40 X 5/8 RMS M SCREW Z/Y	4
7	9900081	NUT - #8-32 KEPS Z/P	2
8	1127808	SPRING - SHELF RESET	1
9	4402047	LINK - SOLENOID	1
10	4402023	LATCH AND STUD ASSEMBLY	1
11	4252030	SOLENOID - 24 VDC	1
12	9900098	COTTER PIN - 3/32 X 3/4 INCH	1
13	1572266	PLATE AND BRACKET ASSEMBLY	1
14	9900090	SCREW - #6-32 X 3/16 RHS W/LKW	2

# Snackcombo III Parts Manual

**TABLE 13. BAG ASSEMBLY B4930009 (U.S./CANADA)**

PART NUMBER	DESCRIPTION	QTY.
WD159010	W.D.-GPL-115V	1
WD490010	W.D.-GPL CAN & HOT DRINK	1
1477015	ROLL-PRICE DOLLARS KB	24
1477083	RETAINER-SPIRAL-WALL	10
1575107	TAG-PRICE-G&M-.25-1.55	1
1577047	LABEL-ITEM LETTERS-A0-A9	1
1577048	LABEL-ITEM LETTERS-B0-B9	1
1577049	LABEL-ITEM LETTERS-C0-C9	1
1577050	LABEL-ITEM LETTERS-D0-D9	1
1577051	LABEL-ITEM LETTERS-E0-E9 KB	1
1577052	LABEL-ITEM LETTERS-F0-F9 KB	1
1590050	SETUP GUIDE-MAIN-GPL SNACK	1
2360036	BAG PACKING	2
3158008	ELBOW W/TAPE ASSEMBLY	1
4747091	FLAVOR STRIPS-10	1
4747097	PROD.ID LBL/FLAVR STRIP INST	1
4752148	LABEL-COVER UP-H.W.-U.K.	
4770039	BAG-PLASTIC-10"X13	"1
4930022	LIST-BAG ASSY B4930004-CONTE	1
4930018	SETUP GUIDE-GPL-CAN/FOOD	1
4930028	SET UP GUIDE-HOT DRINK OD-GP	1

**TABLE 14. BAG ASSEMBLY B4930010 (WITH FOOD MODULE - U.S./CANADA)**

PART NUMBER	DESCRIPTION	QTY.
1477015	ROLL-PRICE DOLLARS KB	24
1477083	RETAINER-SPIRAL-WALL	10
1575107	TAG-PRICE-G&M-.25-1.55	1
1577047	LABEL-ITEM LETTERS-A0-A9	1
1577048	LABEL-ITEM LETTERS-B0-B9	1
1577049	LABEL-ITEM LETTERS-C0-C9	1
1577050	LABEL-ITEM LETTERS-D0-D9	1
1577051	LABEL-ITEM LETTERS-E0-E9 KB	1
1577052	LABEL-ITEM LETTERS-F0-F9 KB	1
1590050	SETUP GUIDE-MAIN-GPL SNACK	1
2360036	BAG PACKING	3
3158008	ELBOW W/TAPE ASSEMBLY	1
4407728	LABEL-SOLD OUT	1
4612001	DECAL-"CHILLED FOR FRESHNESS	1
4930018	SETUP GUIDE-GPL-CAN/FOOD	1
4930023	LIST-BAG ASSY B4930005-CONTE	1
4930027	W.D.PKG-115V-DOM-FOOD-GPL	1
4930028	SET UP GUIDE-HOT DRINK OD-GP	1

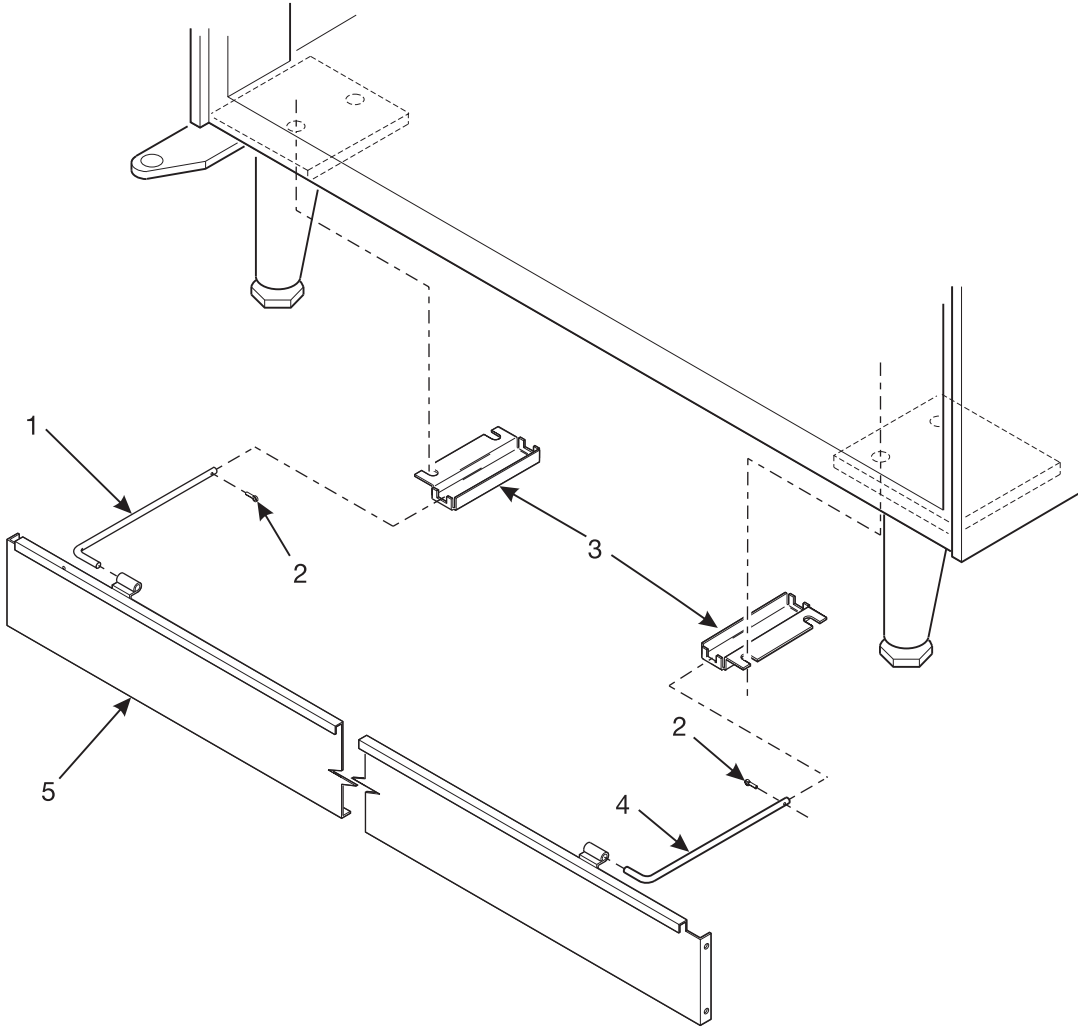
# Snackcombo III Parts Manual

**TABLE 15. BAG ASSEMBLY B4930006 (WITH CAN MODULE - LATIN AMERICA - 120 VOLT)**

PART NUMBER	DESCRIPTION	QTY.
1477083	RETAINER - SPIRAL - WALL	10
1477123	PRICE ROLL - 0 TO 25 - U.K./GER/	25
1577061	LABEL - ITEM LETTERS - A0 - A9 - U.K	1
1577062	LABEL - ITEM LETTERS - B0 - B9 - U.K	1
1577063	LABEL - ITEM LETTERS - C0 - C9 - U.K	1
1577064	LABEL - ITEM LETTERS - D0 - D9 - U.K	1
1577065	LABEL - ITEM LETTERS - E0 - E9 - U.K	1
1577066	LABEL - ITEM LETTERS - F0 - F9 - U.K	1
3158008	ELBOW W/TAPE ASSEMBLY	1
3158026	LABEL - EVERPURE - SMALL - 7001 - 07	1
4747091	FLAVOR STRIPS - 10	1
4747097	PROD. ID LBL/FLAVR STRIP INST	1
4752148	LABEL - COVER UP - H.W. - U.K.	
4930026	W.D. PKG - 115V - DOM - CAN - GPL	1
4930040	DOCUMENTATION PACKAGE - GPL	1

**TABLE 16. BAG ASSEMBLY B4930007 (WITH FOOD MODULE - LATIN AMERICA - 120 VOLT)**

PART NUMBER	DESCRIPTION	QTY.
1477083	RETAINER - SPIRAL - WALL	10
1477123	PRICE ROLL - 0 TO 25 - U.K./GER/	25
1577061	LABEL - ITEM LETTERS - A0 - A9 - U.K	1
1577062	LABEL - ITEM LETTERS - B0 - B9 - U.K	1
1577063	LABEL - ITEM LETTERS - C0 - C9 - U.K	1
1577064	LABEL - ITEM LETTERS - D0 - D9 - U.K	1
1577065	LABEL - ITEM LETTERS - E0 - E9 - U.K	1
1577066	LABEL - ITEM LETTERS - F0 - F9 - U.K	1
3158008	ELBOW W/TAPE ASSEMBLY	1
3158026	LABEL - EVERPURE - SMALL - 7001 - 07	1
4407728	LABEL - SOLD OUT	1
4612001	DECAL - "CHILLED FOR FRESHNESS	1
4930027	W.D.PKG - 115V - DOM - FOOD - GPL	1
4930040	DOCUMENTATION PACKAGE - GPL	1

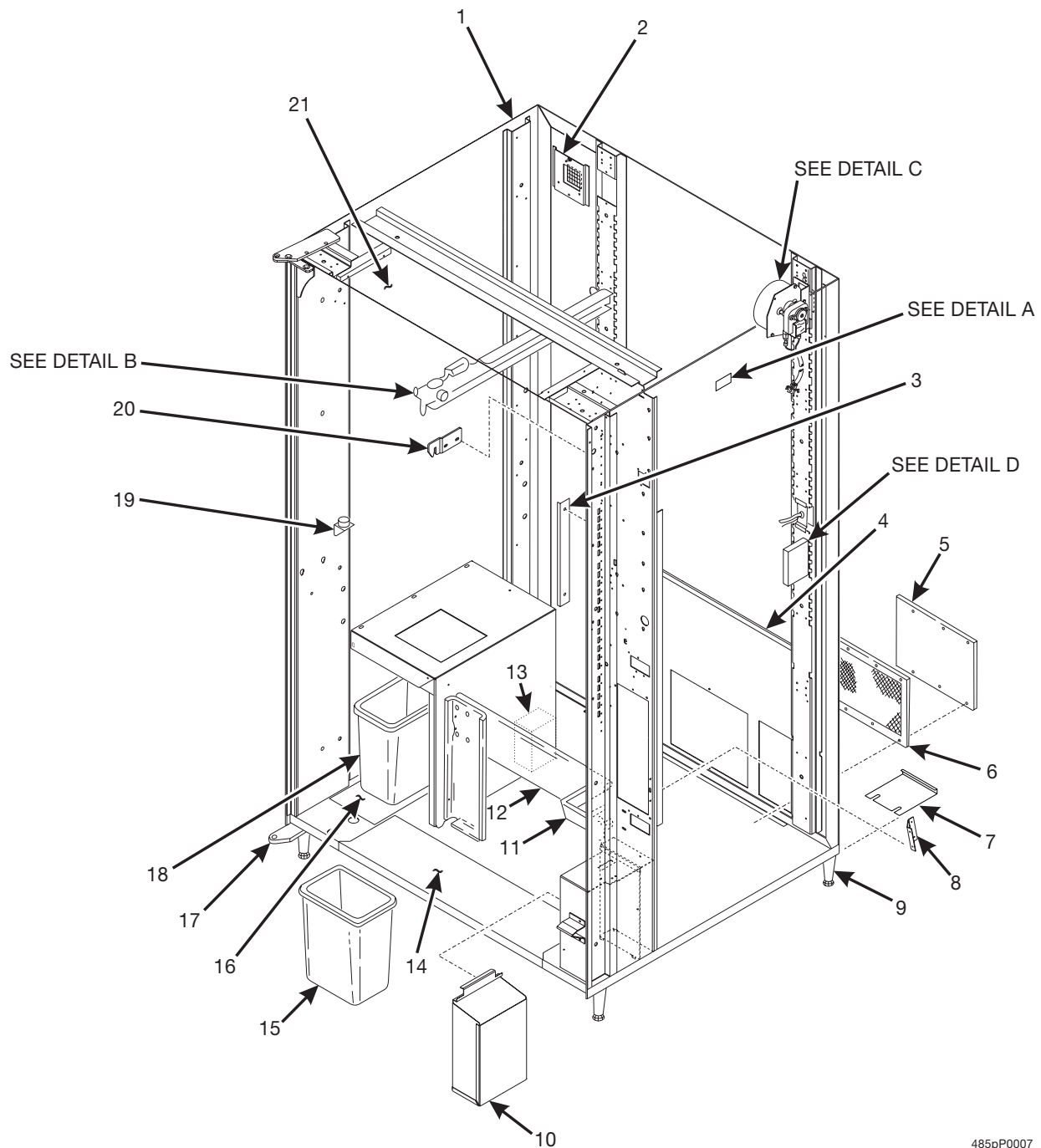


639p0064

Figure 17. Base Plate Assembly

**TABLE 17. BASE PLATE ASSEMBLY**

INDEX	PART NUMBER	DESCRIPTION	QTY.
1	9900098	COTTER PIN, 3/32	2
2	6231087	BRACKET - BASE PLATE	2
3	1411194	SLIDE - BASE PLATE - RIGHT HAND	1
4	4111091	BASE PLATE ASSEMBLY (STANDARD STYLING) - NV BLACK	1
	4851082	BASE PLATE ASSEMBLY - HINGED	
5	1411195	SLIDE - BASE PLATE - LEFT HAND	1



485pP0007

Figure 18. Common Cabinet (Part 1 of 4)



**TABLE 18. COMMON CABINET (PART 1 OF 4)**

INDEX	PART NUMBER	DESCRIPTION	QTY
1	4851093	CABINET WELD ASSEMBLY - N.V. BLACK	1
2	6131041	SCREEN ASSEMBLY - CABINET BACK	1
3	1571022	STOP - MONETARY PANEL	1
4	1481057	ANGLE - RECEPTACLE MOUNTING (W/ 6 TRAY OR ALL CAN)	1
4	4401026	ANGLE - RECEPTACLE MOUNTING (W/FOOD MODULE ONLY)	1
5	4521021	SCREEN ASSEMBLY - VENT	1
6	1581067	PLATE - CABINET BACK (OPTIONAL IF INDEX # 5 IS NOT USED)	1
7	4741065	STANDOFF - MACHINE CABINET	2
8	4851038	GUSSET - CHANNEL BRACE (6 TRAY ONLY)	1
9	1471237	LEG & LEVELER ASSEMBLY - CABINET (SEE FIGURE 22 FOR DETAILS)	3
10	1571029	MONEY BOX ASSEMBLY	1
11	6231242	CHUTE - PAYOUT	1
12	4851036	BRACE ASSEMBLY - CHANNEL (6 TRAY ONLY)	1
13	4851053	TRANSFORMER & COVER ASSEMBLY (488, 489 CHILLED W/NO FOOD/CAN OPTION)	1
-	4859004	TRANSFORMER - ISOLATION - 230VA	1
-	4851054	COVER - TRANSFORMER - 230VA	1
-	1451097	SCREW (ATTACHES COVER TO TRANSFORMER)	4
-	4732024	CLAMP - CABLE	1
-	3157060	SCREW (ATTACHES CABLE CLAMP)	1
14	4971042	BASE FILLER ASSEMBLY - N.V. BLACK	1
	4971044	BASE FILLER ASSEMBLY - MILL. GRAY	
15	4751162	PAIL - 8.5" SQ X 13.0"	1
16	4851033	BASE - BUCKET	1
-	9900168	SCREW	2
17	6231163	LEG, HINGE & LEVELER ASSEMBLY (SEE FIGURE 22 FOR DETAILS)	1
18	7851005	GROUNDS BUCKET - SHORT	1
19	4751050	BRACKET - PRESSURE GAUGE	1
20	1571074	LOCK ARM - CABINET	2
21	4971041	TOP FILLER ASSEMBLY - N.V. BLACK	1
	4971043	TOP FILLER ASSEMBLY - MILL. GRAY	

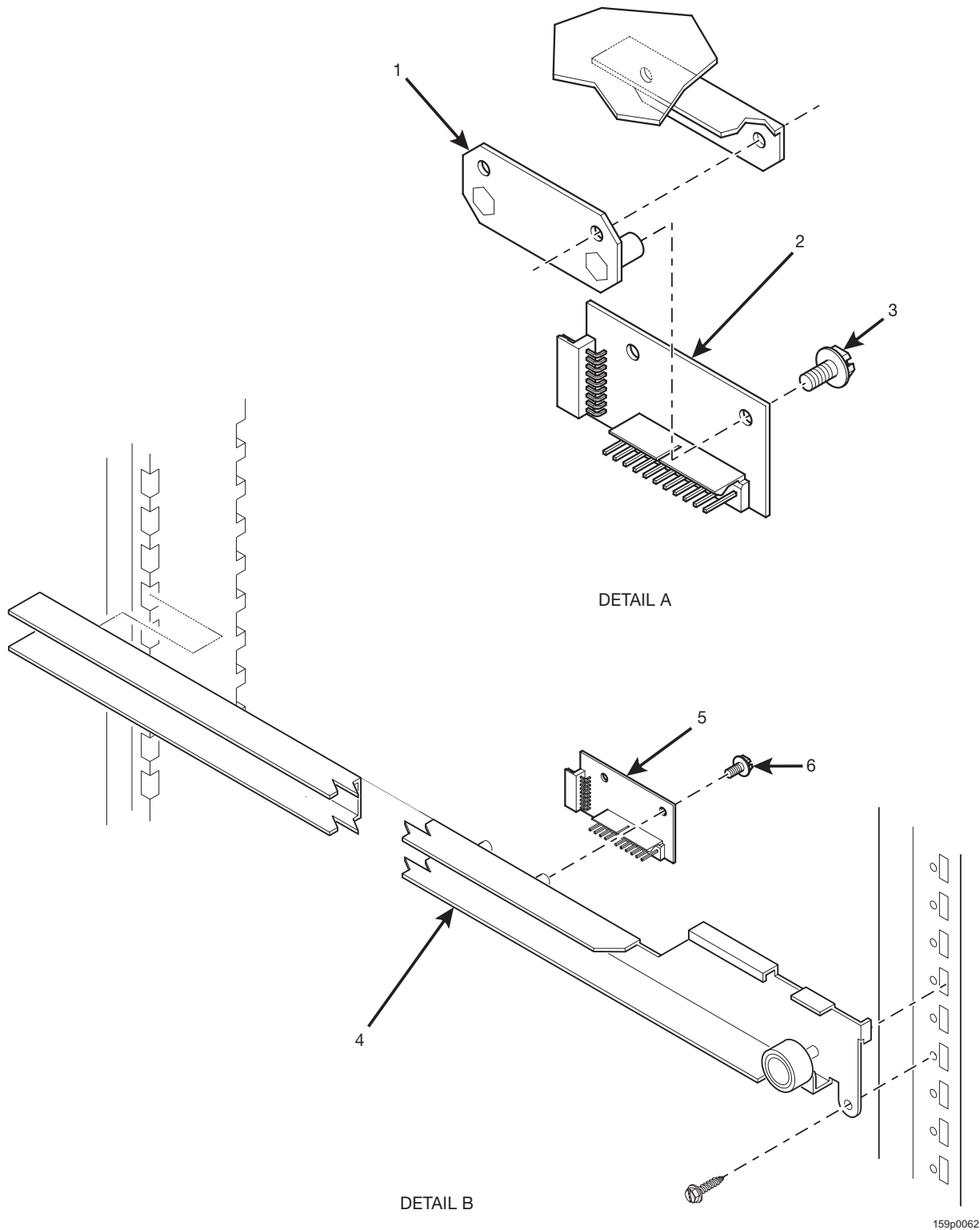
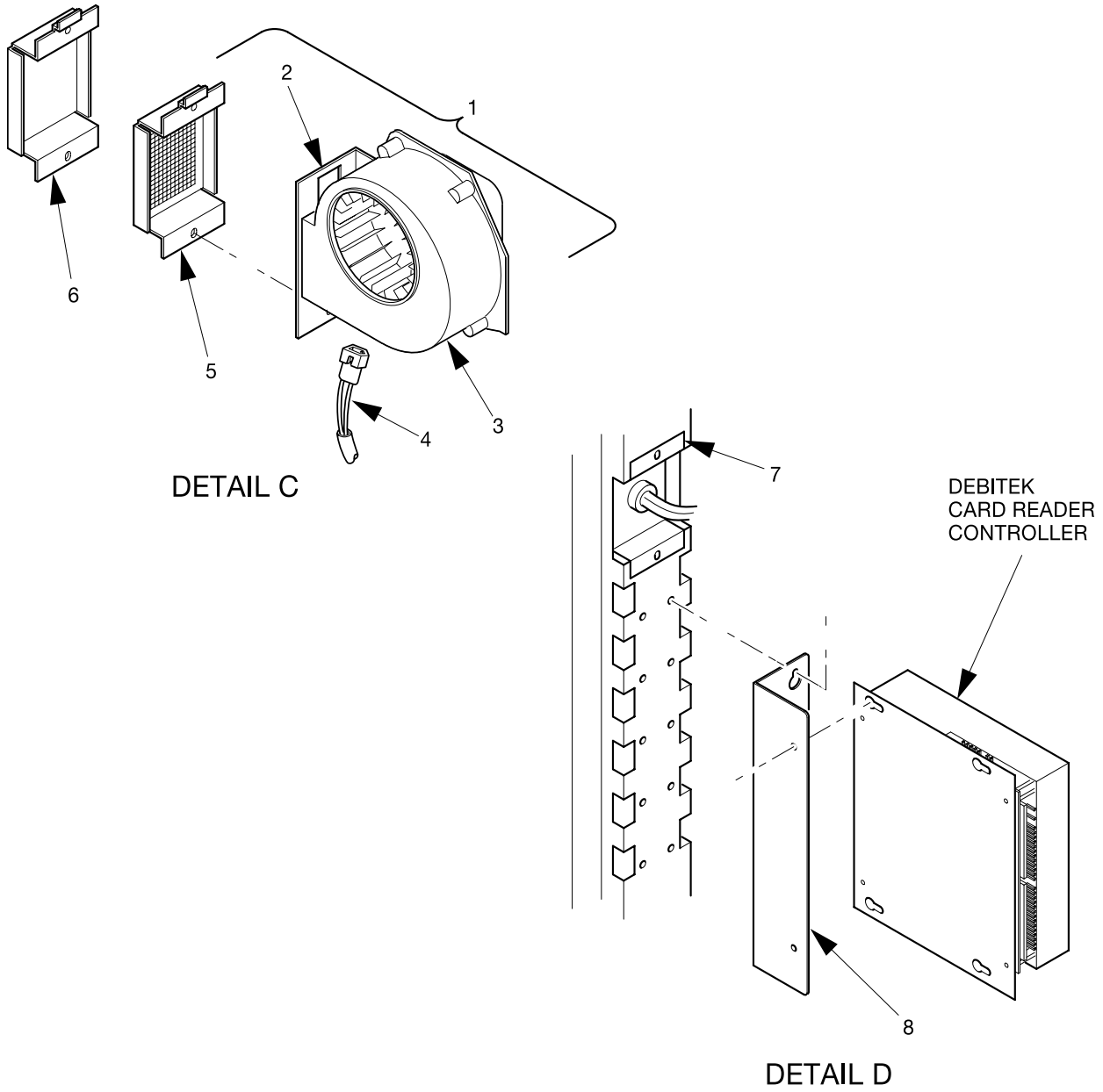


Figure 19. Common Cabinet (Part 2 of 4)

**TABLE 19. COMMON CABINET (PART 2 OF 4)**

INDEX	PART NUMBER	DESCRIPTION	QTY
1	1571175	PLATE - PCB RAIL - MOUNTING	1
2	1596012	PCB ASSEMBLY - TRAY	1
3	1451097	SCREW - #8-32 X .31 - HEX HD - T/F - BLACK	2
-	1571182	TRAY GUIDE RAIL/PCB ASSEMBLY - RIGHT HAND (INCLUDES INDEX NUMBERS 4 - 6)	*
4	1571179	TRAY GUIDE RAIL - W/STANDOFFS	1
5	1596012	PCB ASSEMBLY - TRAY	1
6	1451097	SCREW - #8-32 X .31 - HEX HD - T/F - BLACK	2
-	1571180	TRAY GUIDE RAIL ASSEMBLY - RIGHT HAND (TOP TRAY) (NOT SHOWN)	1
-	1571181	TRAY GUIDE RAIL ASSEMBLY - LEFT HAND (ALL TRAYS) (NOT SHOWN)	*

**\* QUANTITY = 1 PER TRAY IN MACHINE**



485p0030

Figure 20. Common Cabinet (Part 3 of 4)

**TABLE 20. COMMON CABINET (PART 3 OF 4)**

INDEX	PART NUMBER	DESCRIPTION	QTY
1	-	FAN OPTION	OPT
2	1471398	BRACKET - EXHAUST FAN	1
3	6231548	BLOWER ASSEMBLY - 120V	1
4	9989637	JUMPER - BLOWER	1
5	1471054	BRACKET & SCREEN ASSEMBLY - EXHAUST	1
6	1471090	COVER - FAN HOLE (NO FAN OPTION ONLY)	OPT
7	4751203	BRACKET - MOUNTING - POWER CORD	1
8	1575050	BRACKET - DEBITEK CONTROLLER	1

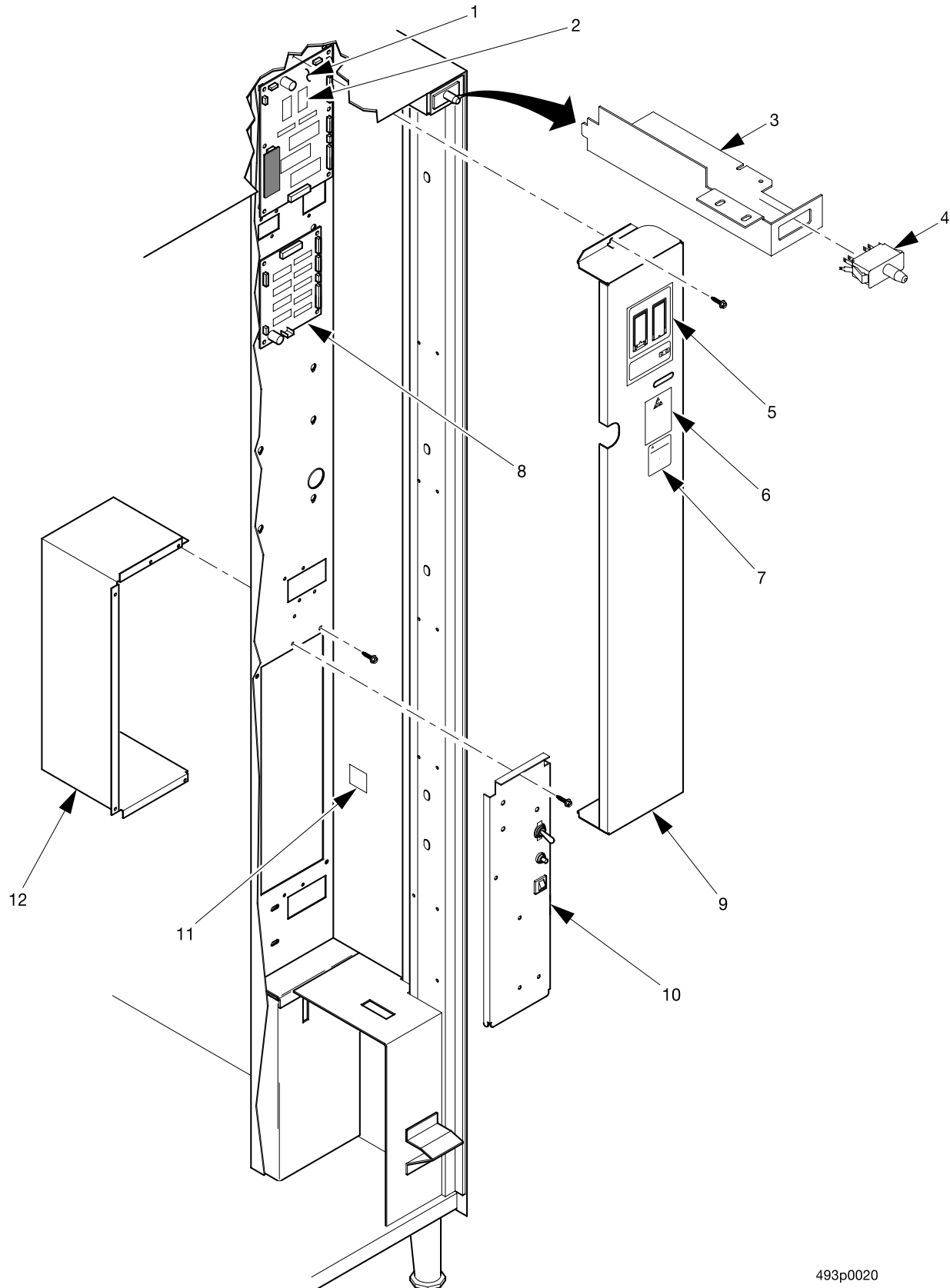


Figure 21. Common Cabinet (Part 4 of 4)

**TABLE 21. COMMON CABINET (PART 4 OF 4)**

INDEX	PART NUMBER	DESCRIPTION	QTY
-	1606005	MAIN CONTROLLER WITH EPROM (INCLUDES ITEM 1)	1
1	9989755	PCB ASSEMBLY - MAIN CONTROLLER	1
2	SEE LABEL	IC ASSEMBLY	1
3	1571021	BRACKET - SWITCH INTERLOCK	1
4	1211141	SWITCH INTERLOCK (115V MACHINES)	1
5	1571042	LABEL - LED & EPROM - ENGLISH	1
	1571045	LABEL - LED & EPROM - SPANISH	
6	1571154	LABEL - CAUTION - STATIC/ELECT. CONN.	1
	1571167	LABEL - CAUTION - STATIC/ELECT. CONN. - SPANISH	
7	6231189	LABEL - WARNING - HIGH VOLTAGE - ENGLISH	1
	6232290	LABEL - WARNING - HIGH VOLTAGE - SPANISH	
8	1576008	PCB ASSEMBLY - SNACK INTERFACE	1
9	1571112	COVER - CONTROL/INTERFACE PCB	1
10	4851034	POWER PANEL ASSEMBLY - 115V	1
11	4761148	LABEL EARTHING	1
12	1571032	HOUSING - POWER PANEL	1

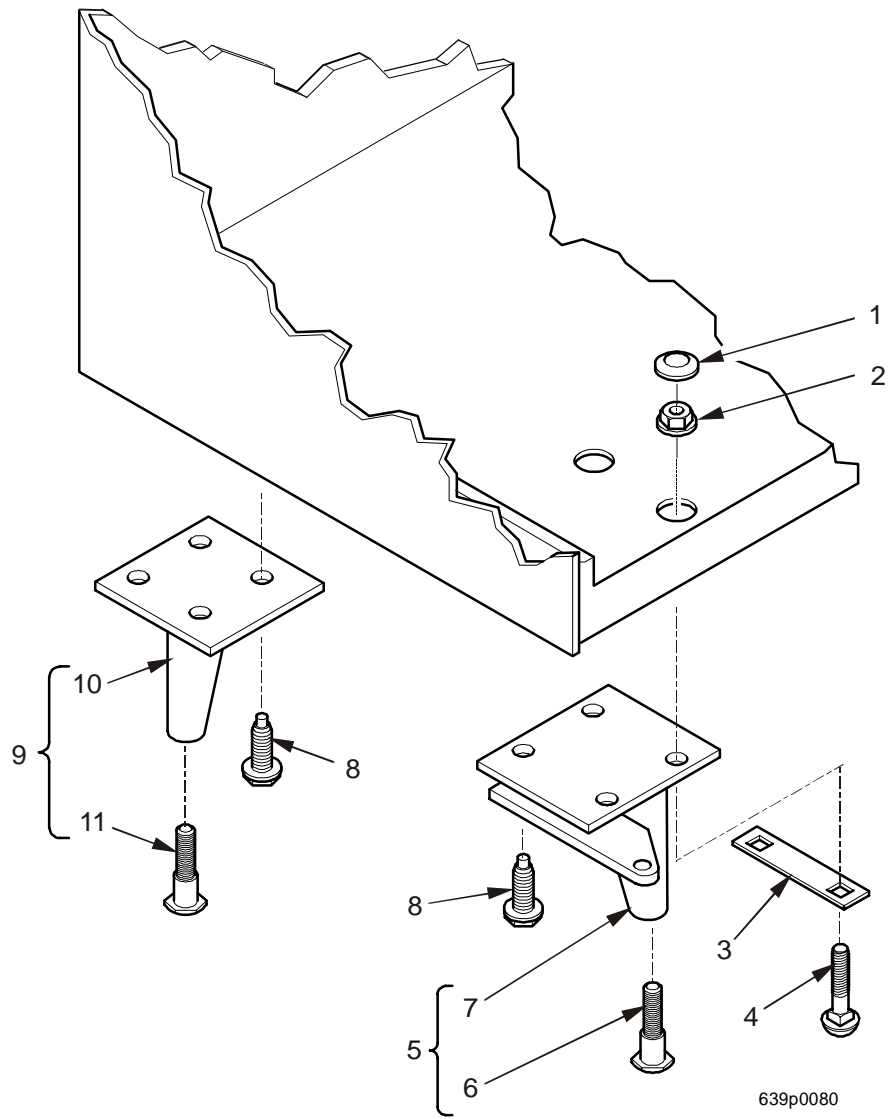


Figure 22. Leg, Leveler, and Leg and Hinge Assemblies



**TABLE 22. LEG, LEVELER, AND LEG AND HINGE ASSEMBLIES**

INDEX	PART NUMBER	DESCRIPTION	QTY.
1	6231034	PLUG - HOLE (NOT USED IN ALL APPLICATIONS)	2
2	1172021	NUT - 1/4-20 WHIZ-LOCK	2
3	6231203	PLATE - HINGE LEG BOLT	1
4	1211112	TRAY BOLT	2
5	6231163	LEG, HINGE, AND LEVELER ASSEMBLY	1
6	1471098	LEVELER - CABINET	1
7	1571115	LEG AND HINGE ASSEMBLY	1
8	9900218	SCREW - # 5/16 X 1 W/LOCKING RING	14
9	1471237	LEG AND LEVELER ASSEMBLY - CABINET	3
10	1571127	LEG ASSEMBLY - CABINET	1
11	1471098	LEVELER - CABINET	1

use drawing for 3281081

Figure 23. Power Panel Assembly

**TABLE 23. POWER PANEL ASSEMBLY**

INDEX	PART NUMBER	DESCRIPTION	QTY
-	3281081	POWER ASSEMBLY - DOMESTIC - 20A	-
1	1679055	HARNESS - POWER PANEL	1
2	9989100	INTERFERENCE FILTER	1
3	9984094	24V XFMR - DUAL PIR. - .187 TERM	1
4	9984094	WIRE - GROUND - 14"	1
5	9989674	CIRCUIT BREAKER - 4 AMP	1
6	1709001	JUMPER - TRANSFORMER - FOREIGN	1
7	9989673	CIRCUIT BREAKER - 20A	1
8	1709006	JUMPER - MAIN SWITCH TO BREAKER	1
9	9984629	SWITCH - TOGGLE - DPST - 20AMP	1
10	1701025	PLATE - HOUSING - PANEL	1

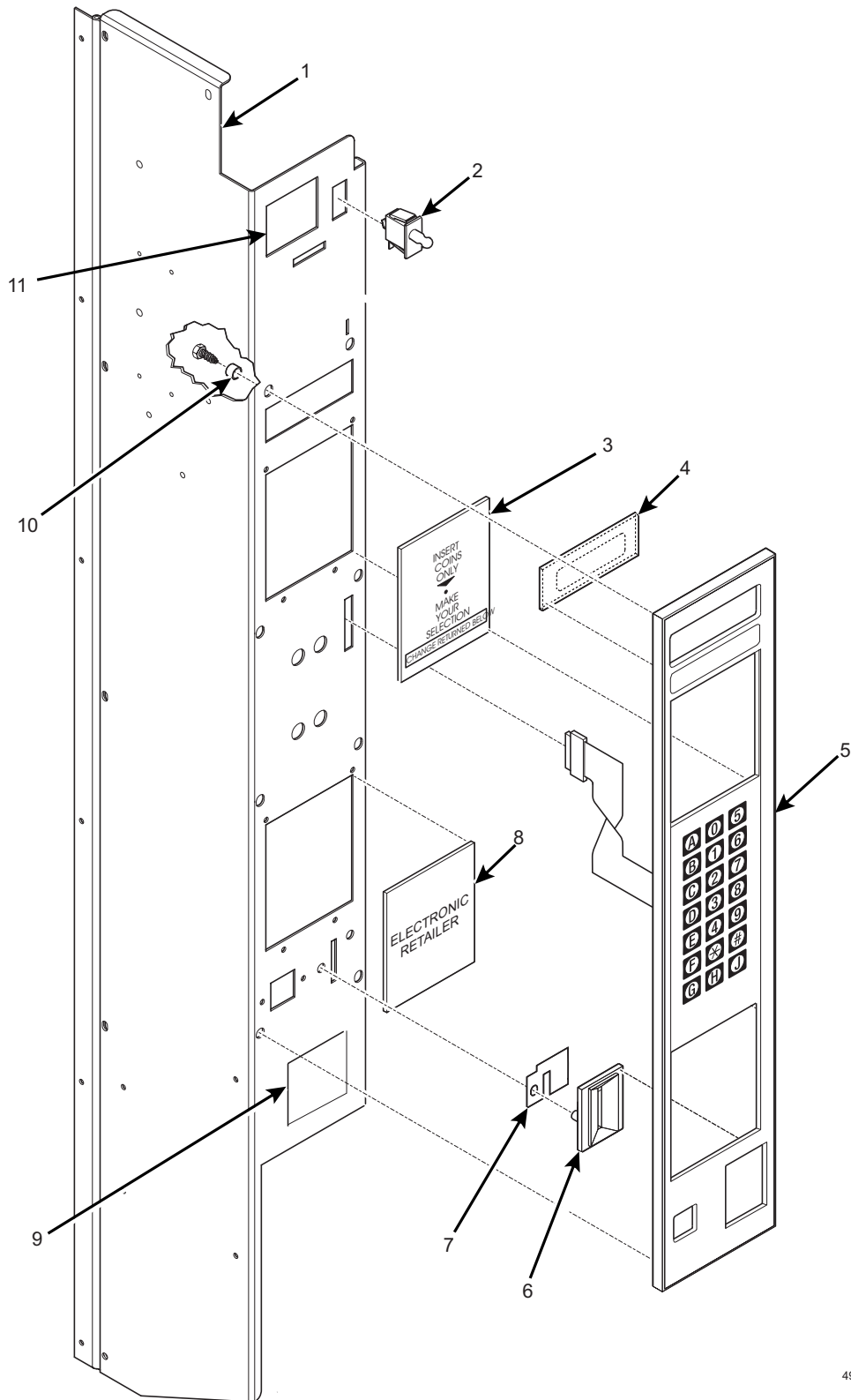


Figure 24. Monetary Panel Assembly (Part 1 of 3)

**TABLE 24. MONETARY PANEL ASSEMBLY (PART 1 OF 3)**

INDEX	PART NUMBER	DESCRIPTION	QTY
1	1575094	MONETARY PANEL WELD ASSEMBLY - NV BLACK	1
2	1401110	SWITCH	1
3	-	UPPER MONETARY POSITION	-
4	1595014	LENS - DISPLAY	1
5	1595017	FACEPLATE ASSEMBLY (WITH COIN OPTION) (SEE FIGURE 26 FOR DETAILS)	1
6	1472223	COIN INSERT (WITH COIN OPTION)	1
7	1472222	COIN BLOCK (WITH COIN OPTION)	1
8	-	LOWER MONETARY POSITION	-
9	1571218	LABEL - NOTICE - TRAY REMOVAL - U.S.	1
	1571221	LABEL - NOTICE - TRAY REMOVAL - SPANISH	
10	2302053	CUP SPACER	?
11	1590036	LABEL - INSTR - DATA/PAYOUT/PRICE SET - ENGLISH	1

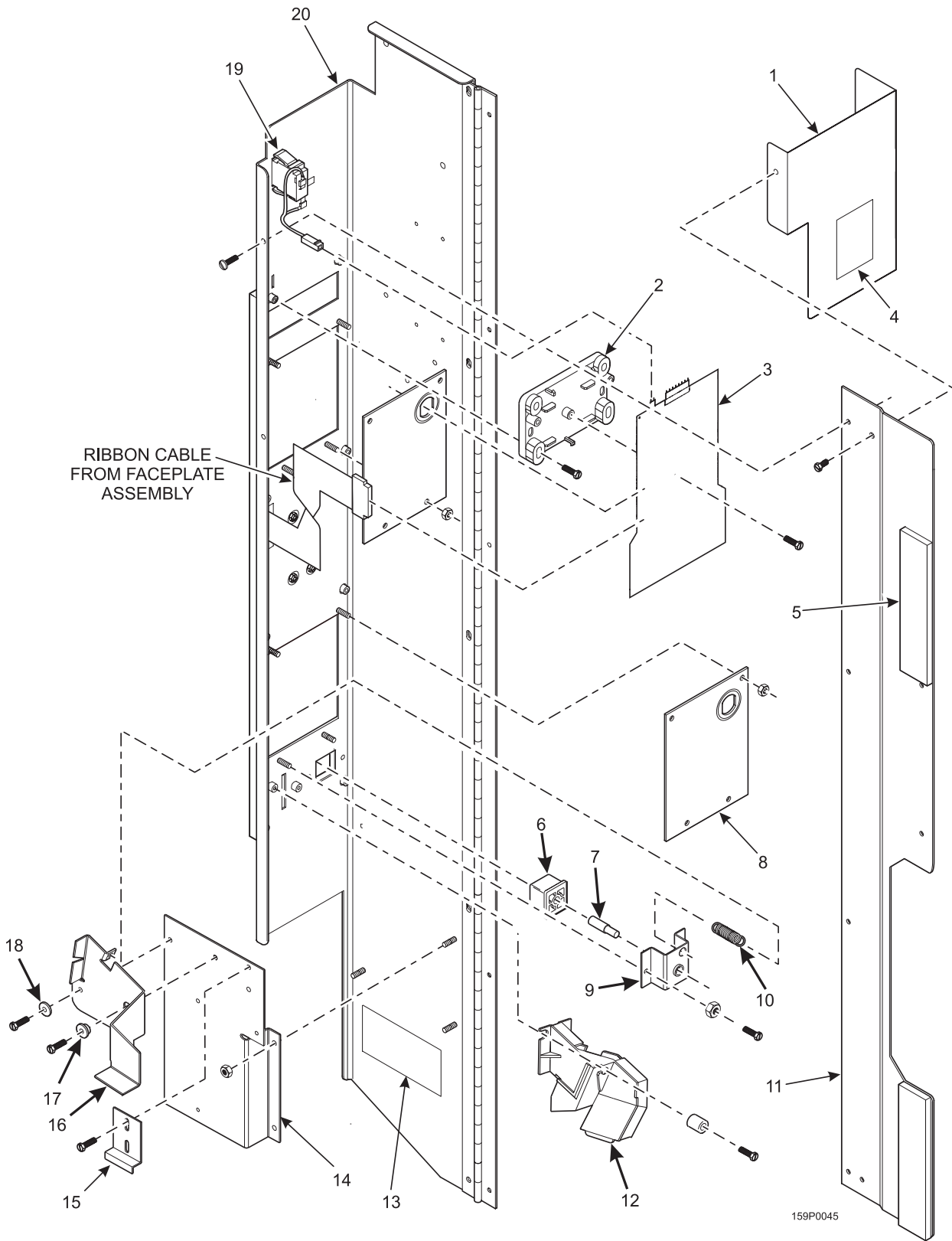


Figure 25. Monetary Panel Assembly (Part 2 of 3)

**TABLE 25. MONETARY PANEL ASSEMBLY (PART 2 OF 3)**

INDEX	PART NUMBER	DESCRIPTION	QTY.
1	1595029	COVER - DISPLAY	1
2	1475099	BRACKET - PCB DISPLAY	1
3	9989685	PCB ASEMBLY - DISPLAY	1
4	1571154	LABEL - CAUTION - STATIC/ELECT CONNECTION - ENGLISH (CHN./U.S.)	1
	1571167	LABEL - CAUTION - STATIC/ELECT CONNECTION - SPANISH	
5	3122056	MAGNET - COIN CHANGER RETAINER	1
6	1475026	BUTTON - COIN RETURN	2
7	1475072	SHAFT - RETURN BUTTON	1
8	1575048	PLATE - INSERT BACKING (SEE FIGURE 27 FOR DETAILS)	-
9	1571079	BRACKET - COIN RETURN BUTTON	1
10	1127808	SPRING - SHELF RESET	1
11	1575057	PLATE - MAGNET MOUNTING	1
12	1575003	COIN CHUTE ASSEMBLY	1
13	1570123	LABEL - COIN MECHANISM - 120 V	1
14	1571078	BRACKET - COIN MECHANISM	1
15	6231037	CLAMP - CABLE	1
16	1571113	ARM - SCAVENGER	1
17	2228011	SPACER - RELEASE ARM	1
18	2204093	WASHER - SCAVENGER BAR	1
19	9989594	SWITCH - PUSH/PULL - PANEL MOUNTING	REF.
20	1575094	MONETARY PANEL WELD ASSEMBLY	REF.

# NOTES . . .

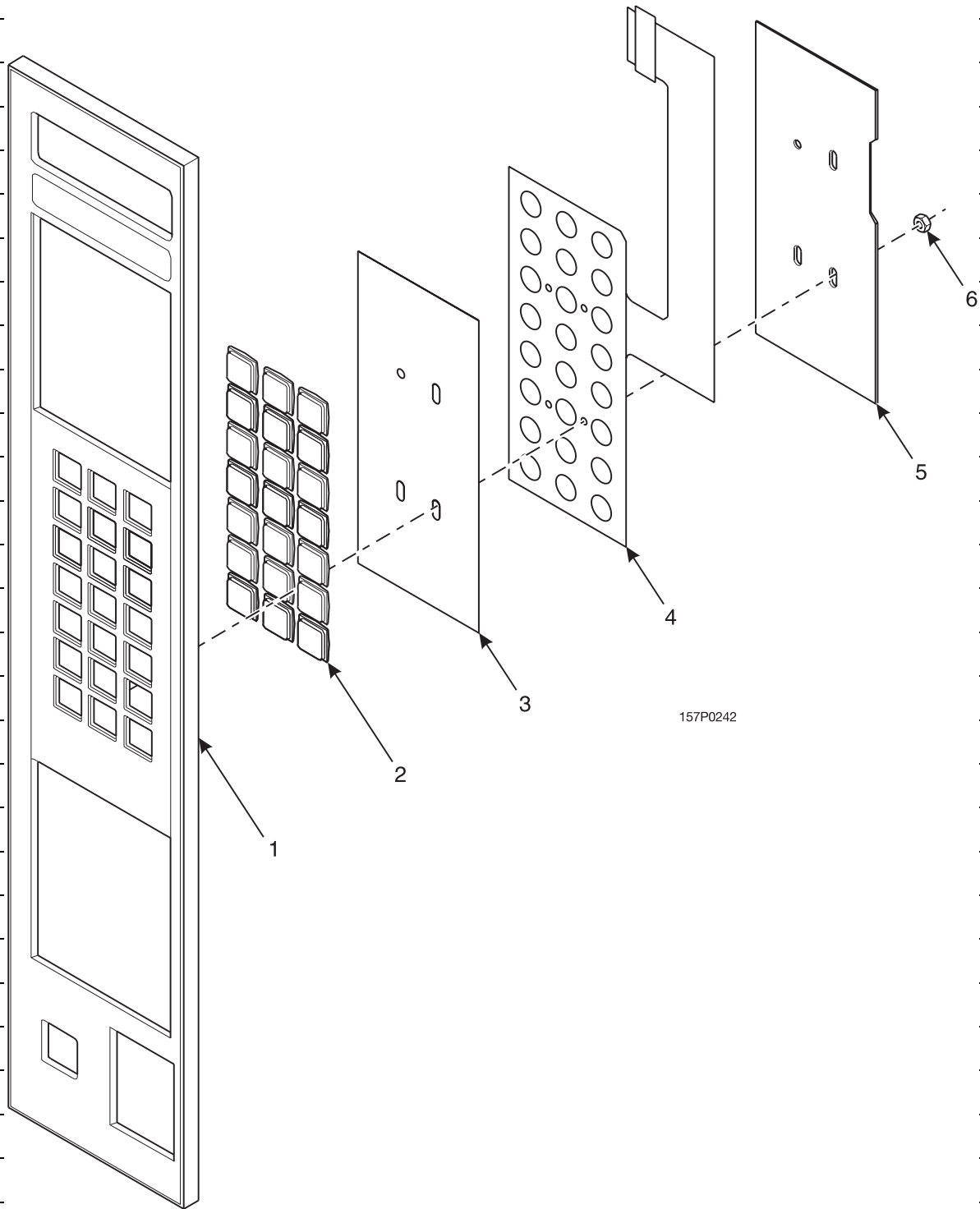
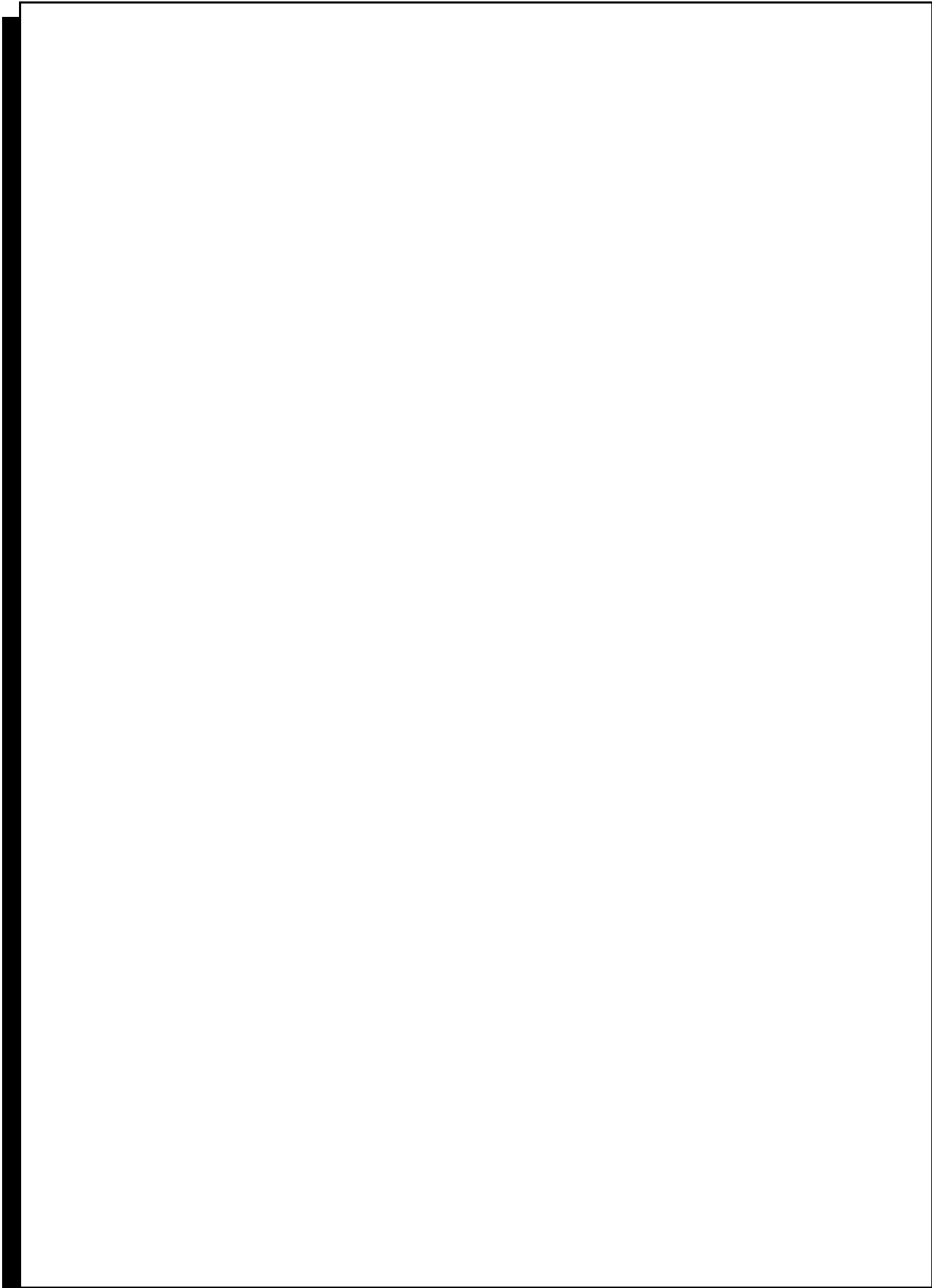


Figure 26. Monetary Panel Assembly (Part 3 of 3)

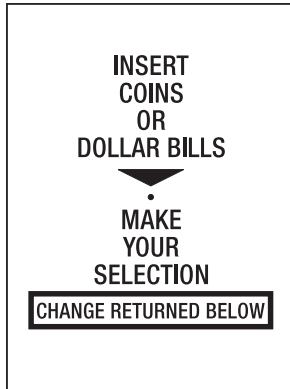


**TABLE 26. MONETARY PANEL ASSEMBLY (PART 3 OF 3)**

INDEX	PART NUMBER	DESCRIPTION	QTY.
-	1595017	FACE PLATE ASSEMBLY - GPL	REF.
1	1595013	FRAME-MONETARY PANEL-GPL	1
2	1472251	LENS-PUSH BUTTON	21
3	1595002	LETTER SHEET-SELECT SWITCH - GLASCO	1
	1575010	LETTER SHEET - SELECT SWITCH (SMITH'S ONLY)	
4	9984630	MEMBRANE SWITCH ASSY-SELECT	1
5	1575091	PLATE-SELECT SWITCH-BACK UP - W/STUD	1
6	1475089	NUT	4

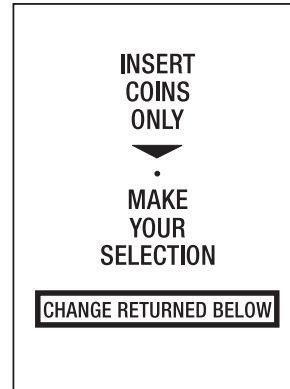


## UPPER POSITION



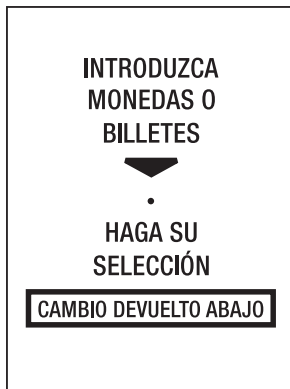
1575012

COINS  
AND  
BILLS  
  
USA  
CANADA



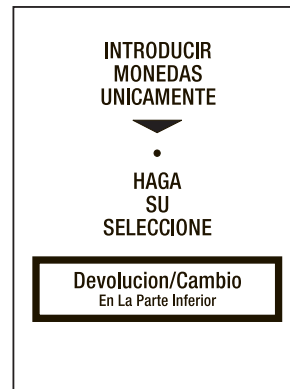
1575013

COINS  
ONLY  
  
USA  
CANADA



1595007

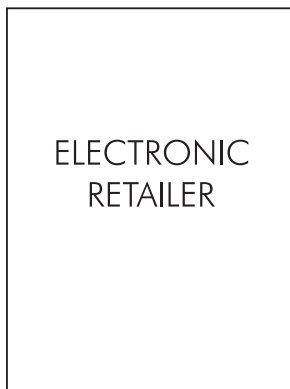
COINS  
AND  
BILLS  
  
LATIN  
AMERICA



1595005

COINS  
ONLY  
  
LATIN  
AMERICA

## LOWER POSITION



1575035

COINS  
ONLY  
  
USA  
CANADA

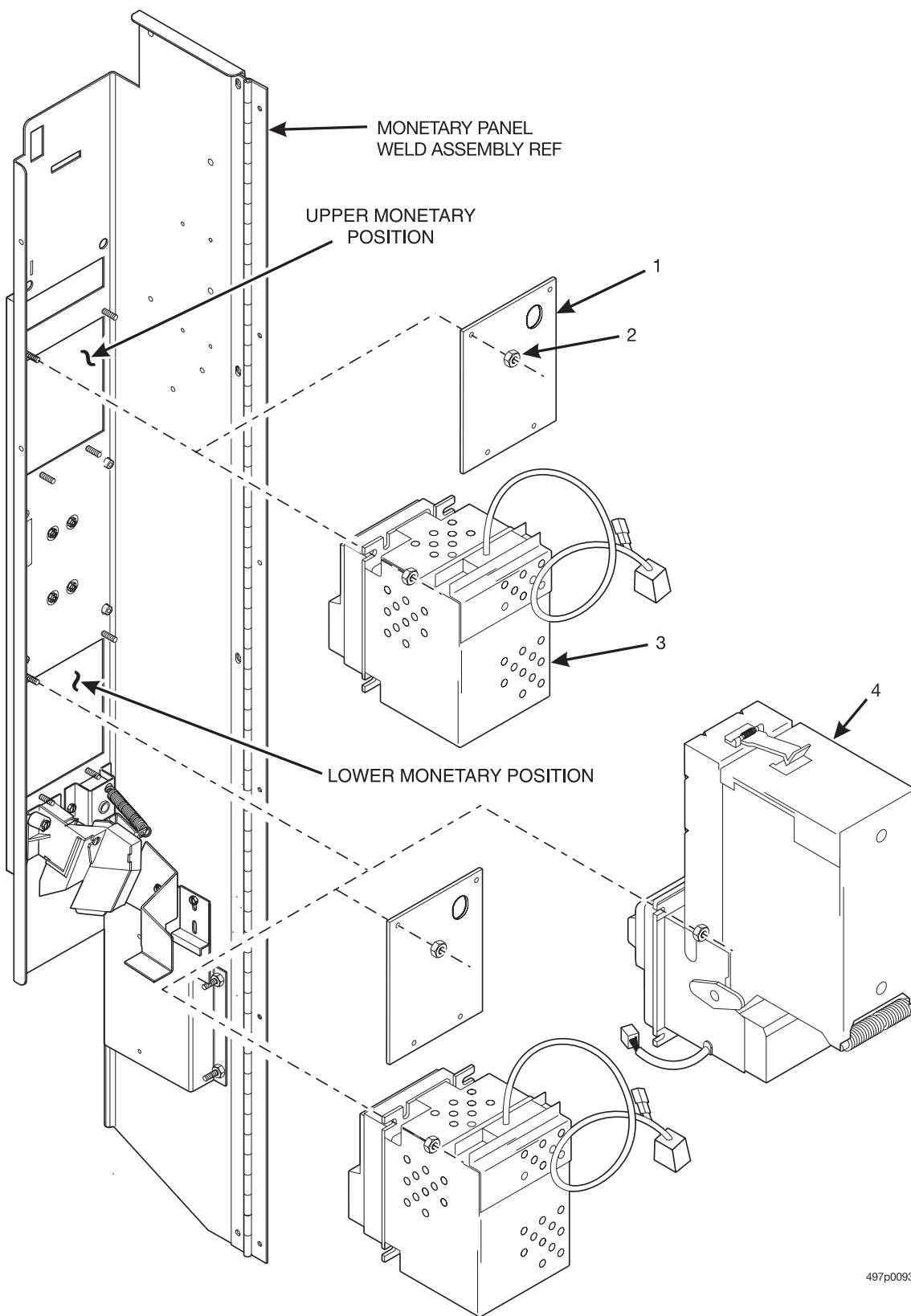


1595012

493p0014

COINS  
ONLY  
  
LATIN  
AMERICA

Figure 27. Monetary Inserts



497p0093

Figure 28. Card Reader and Bill Validator Combinations

**TABLE 28. CARD READER AND BILL VALIDATOR COMBINATIONS**

INDEX	PART NUMBER	DESCRIPTION	QTY
1	1575048	INSTRUCTION INSERT BACKING PLATE	0*, 1*, 2*
2	9900081	NUT	8
3	-	DEBIT CARD READER (SEE FIGURE 28 C FOR DETAILS)	OPT.
4	-	UPSTACK BILL VALIDATOR (SEE FIGURE 28 B FOR DETAILS)	OPT.

\* - QUANTITY VARIES WITH THE MONETARY COMPONENTS THAT ARE CONFIGURED

**TABLE 28 A. MONETARY LOCATION OPTIONS**

MONETARY PANEL LOCATION			
MONETARY CAPABILITY	UPPER	LOWER	WITH COIN?
COIN - VAL - CARD	CARD READER	UPSTACK VALIDATOR	YES
COIN - VAL - CARD	DOWNSTACK VALIDATOR	CARD READER	YES
COIN - VAL	INSERT INSTRUCTIONS BACK-UP PLATE (1575048)	UPSTACK VALIDATOR	YES
COIN - VAL	DOWNSTACK VALIDATOR	INSERT INSTRUCTIONS BACKUP PLATE (1575048)	YES
COIN - CARD	INSERT INSTRUCTIONS BACK-UP PLATE (1575048)	CARD READER	YES
COIN - CARD	CARD READER	INSERT INSTRUCTIONS BACK-UP PLATE (1575048)	YES
VAL - CARD	CARD READER	UPSTACK VALIDATOR	NO
VAL - CARD	DOWNSTACK VALIDATOR	CARD READER	NO
COIN ONLY	INSERT INSTRUCTIONS BACK-UP PLATE (1575048)	INSERT INSTRUCTIONS BACK-UP PLATE (1575048)	YES
VAL ONLY	INSERT INSTRUCTIONS BACK-UP PLATE (1575048)	UPSTACK VALIDATOR	NO
VAL ONLY	DOWNSTACK VALIDATOR	INSERT INSTRUCTIONS BACK-UP PLATE (1575048)	NO
CARD ONLY	CARD READER	INSERT INSTRUCTIONS BACK-UP PLATE (1575048)	NO
CARD ONLY	INSERT INSTRUCTIONS BACK-UP PLATE (1575048)	CARD READER	NO

**NOTES:**  
**ALL ITEMS ARE SECURED WITH FOUR NUTS (P/N 9900081).**  
**SHADED ITEMS REPRESENT ALTERNATE CONFIGURATIONS**

# Snackcombo III Parts Manual

**TABLE 28 B. BILL VALIDATOR OPTIONS**

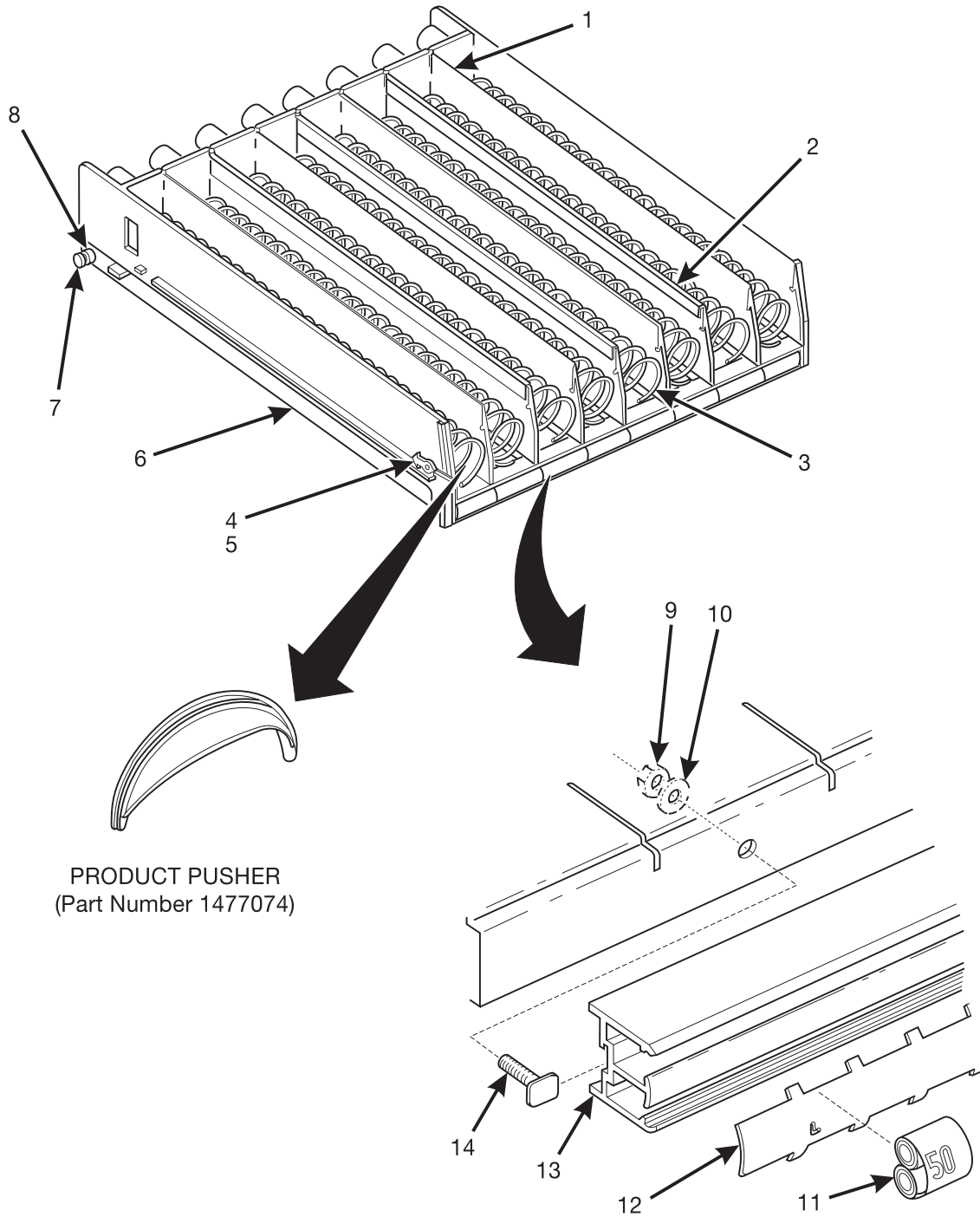
<b>PART NUMBER</b>	<b>DESCRIPTION</b>	<b>USE WITH HARNESS PART NUMBER</b>
5900198	VALIDATOR - MARS - S2000 - VN 2311 - U5E	1579005
5900182	VALIDATOR - COINCO - BA305A	1579028
5900193	VALIDATOR - MARS - S2000 - VN 2511 - U5E - CN5	
5900233	VALIDATOR - CONLUX MKA 2152-12B 120V	
5900239	VALIDATOR - GPT - CHINA	-
5900205	VALIDATOR - MARS - VN2512-U5E - 24V	1579032 (HARNESS) 9989718 (JUMPER)
5900221	VALIDATOR - COINCO - BA32SA - 24V	
5900234	VALIDATOR - CONLUX - 2162 - 24V - 300	
1475053	VALIDATOR - MAKA - NB - 1KB - 400 WITH MASK "K" INSTALLED	1579006
5900248	VALIDATOR - MARS AE 2611 - U5E - SERIAL	1579028
<b>MDB VALIDATOR OPTIONS</b>		
5900182	VALIDATOR - COINCO - BA 30SA	1579034
5900210	VALIDATOR - MARS - VN 2512 - USM/500 - MDB	-
5900234	VALIDATOR - CONLUX - 2162 - 24V - 300	1579050
5900198	VALIDATOR - MARS - S2000 - VN 2311 - U5E	1579005
5900247	VALIDATOR - MARS AE2612 - U5M - MDB	-

**TABLE 28 C. CARD READER OPTIONS**

<b>PART NUMBER</b>	<b>DESCRIPTION</b>
1475107	DEBITEK #VIS-MM-NAT SYSTEM III
1575050	BRACKET - DEBITEK CONTROLLER

**TABLE 28 D. COIN MECHANISM OPTIONS**

PART NUMBER	DESCRIPTION
5900116	MARS TRC6000 COIN UNIT
5307321	COINTRON 3000 - US COIN VAL
5900096	COINCO 9340L COIN UNIT
5900112	MARS MC5000 COIN UNIT
6400002	COIN CHANGER - MARS #TRC 6010XV
6400003	COIN CHANGER - COINCO # 9302LF-24
5900094	COINCO 9300L COIN UNIT
5900192	COIN UNIT - CONLUX USLX00401F
5900212	COIN UNIT - MARS TRC 6510 - MDB
5900213	COIN UNIT - COINCO - 9302 - GX - MDB
5900209	COIN UNIT - CONLUX - USLZ - 001 - MDB
5900214	COIN UNIT - MARS - VN 4510 - MDB
5900216	COIN UNIT - MARS - VN 4000, 110V
5900217	COIN UNIT - MARS - VN 4010 XV - 24V
5900192	COIN UNIT - CONLUX USLX 00401F
5900237	COIN UNIT - CONLUX USLX - 001 120V
1600851	MARS CASH FLOW - MDB - CHINA
5900240	COIN UNIT - C.F. MDB - CUSTOMER SUPPLIED



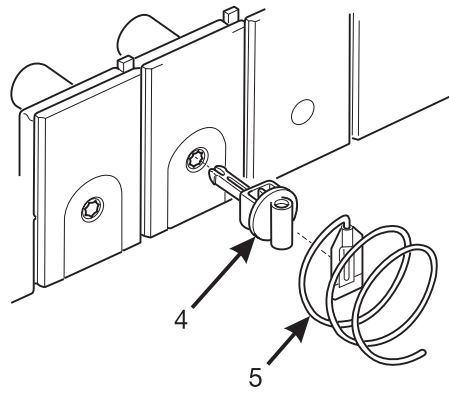
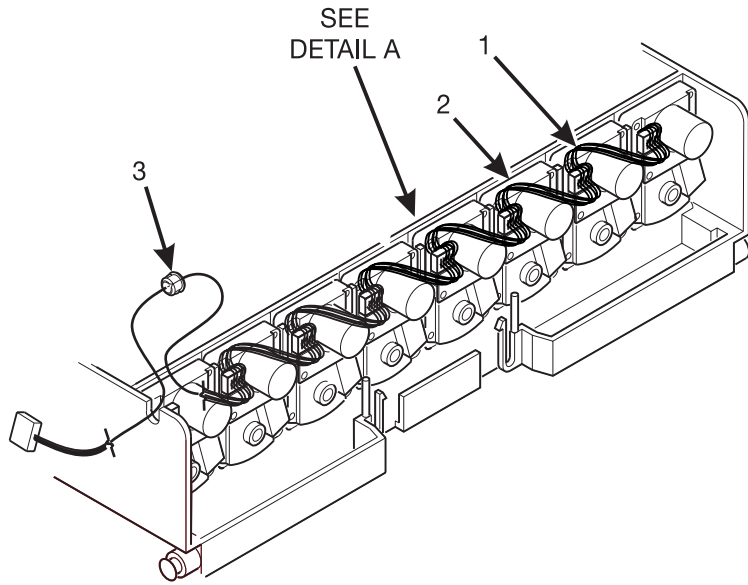
157P0269

Figure 29. Candy Tray Assembly (Part 1 of 2)



**TABLE 29. CANDY TRAY ASSEMBLY (PART 1 OF 2)**

ITEM	PART NUMBER	DESCRIPTION	QTY
-	1607002	TRAY ASSEMBLY - 8 CANDY	1
1	1477175	WALL - TRAY	7
2	-	SPIRAL (OPTIONAL) (SEE FIGURE 34 A FOR DETAILS)	-
3	1477017	LATCH	2
4	5201267	PUSH-ON RETAINER - .312	2
5	1587003	TRAY - 4 & 8 DIVISION	1
6	1477097	AXLE - TRAY ROLLER	2
7	1477148	ROLLER - TRAY	2
8	9900030	NUT #8-32 SELF-LOCKING	2
9	5560113	WASHER - HOPPER RELEASE	2
10	1477014	ROLL - PRICE - CENTS	8
11	1487016	HOLDER - PRICE & SELECTION	1
12	1487009	RAIL - PRICE & SELECTION	1
13	2222031	TEE BOLT - TRIM	2



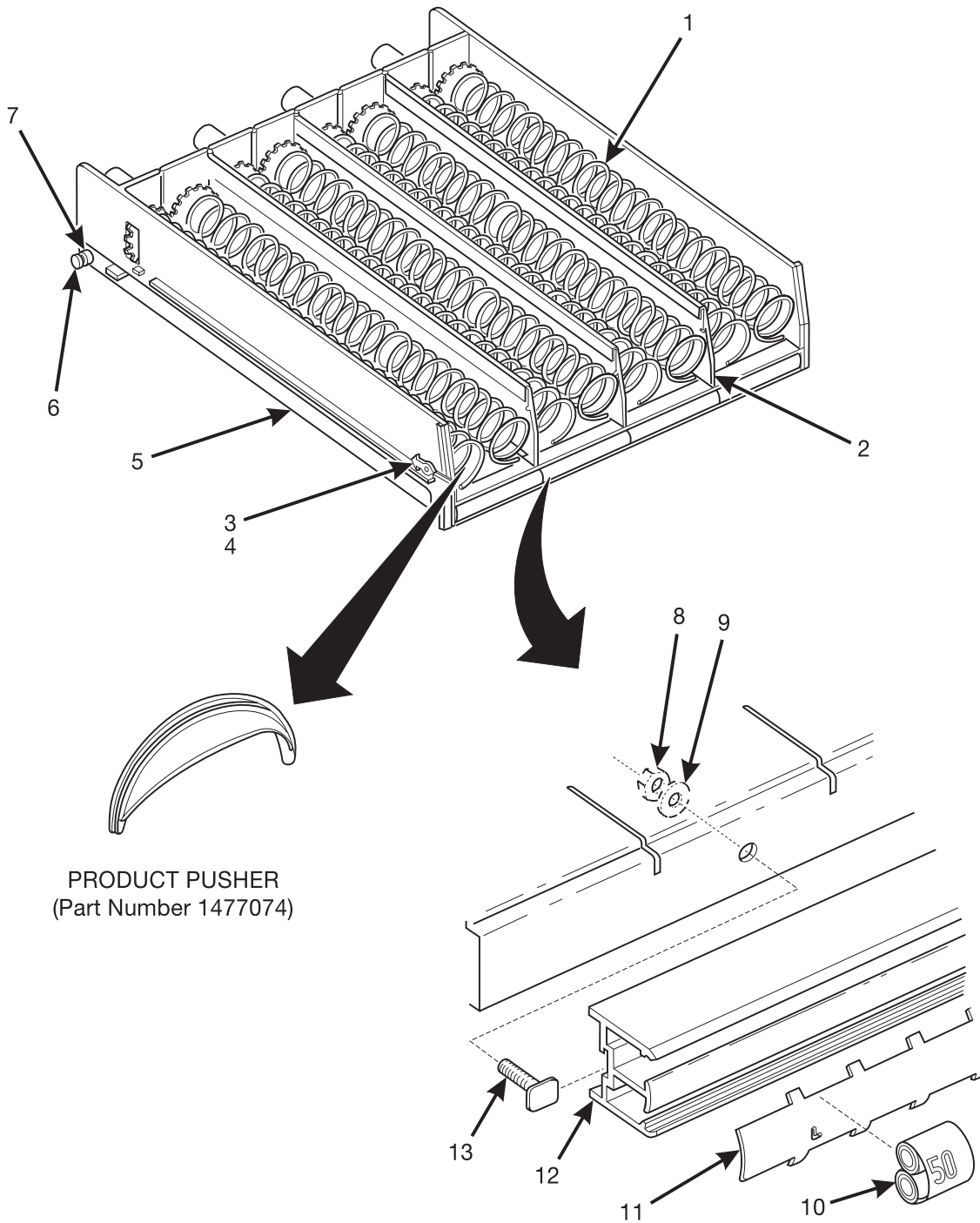
DETAIL A

485p0016

Figure 30. Candy Tray Assembly (Part 2 of 2)

**TABLE 30. CANDY TRAY ASSEMBLY (PART 2 OF 2)**

ITEM	PART NUMBER	DESCRIPTION	QTY
1	1599018	HARNESS - 8 MOTOR TRAY	1
2	1577035	MOTOR & PCB ASSEMBLY	8
3	3502097	BUSHING	1
4	1477113	COUPLING - SPIRAL	8
5	-	SPIRALS (SEE FIGURE 34 A FOR DETAILS)	-



485P0017

Figure 31. Snack Tray Assembly (Part 1 of 2)

**TABLE 31. SNACK TRAY ASSEMBLY (PART 1 OF 2)**

ITEM	PART NUMBER	DESCRIPTION	QTY
-	1607001	TRAY ASSEMBLY - 4 SNACK	1
1	-	SPIRAL (SEE FIGURE 34 A FOR DETAILS)	-
2	1477175	WALL - TRAY	3
3	1477017	LATCH	2
4	5201267	PUSH ON RETAINER - .312	2
5	1587003	TRAY - 4 & 8 DIVISION	1
6	1477097	AXLE - TRAY ROLLER	2
7	1477148	ROLLER - TRAY	2
8	9900030	NUT #8-32 SELF - LOCKING	2
9	5560113	WASHER - HOPPER RELEASE	2
10	1477014	ROLL - PRICE - CENTS	4
11	1487016	HOLDER - PRICE & SELECTION	1
12	1487009	RAIL - PRICE & SELECTION	1
13	2222031	TEE BOLT - TRIM	2

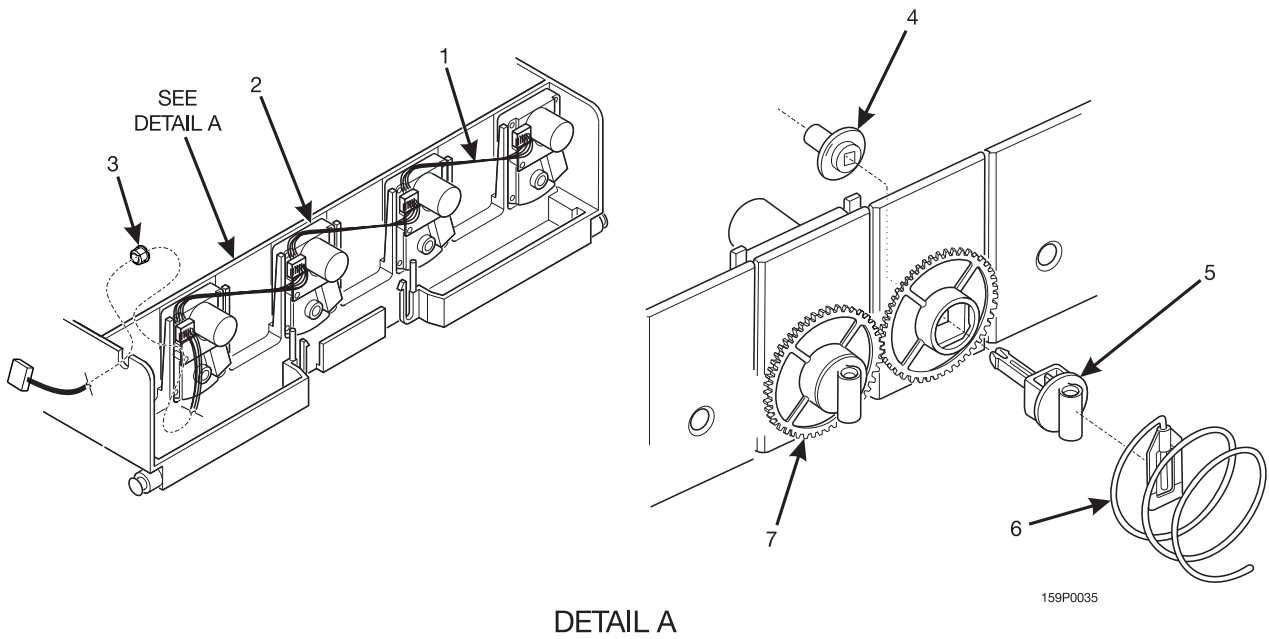


Figure 32. Snack Tray Assembly (Part 2 of 2)

**TABLE 32. SNACK TRAY ASSEMBLY (PART 2 OF 2)**

ITEM	PART NUMBER	DESCRIPTION	QTY
1	1599016	HARNESS - 4 MOTOR TRAY	1
2	1577035	MOTOR & PCB ASSEMBLY	4
3	3502097	BUSHING	1
4	1477022	BEARING - COUPLER	4
5	1477113	COUPLING - SPIRAL	8
6	-	SPIRALS (SEE FIGURE 34 A FOR DETAILS)	-
7	1477020	GEAR - TRAY	8

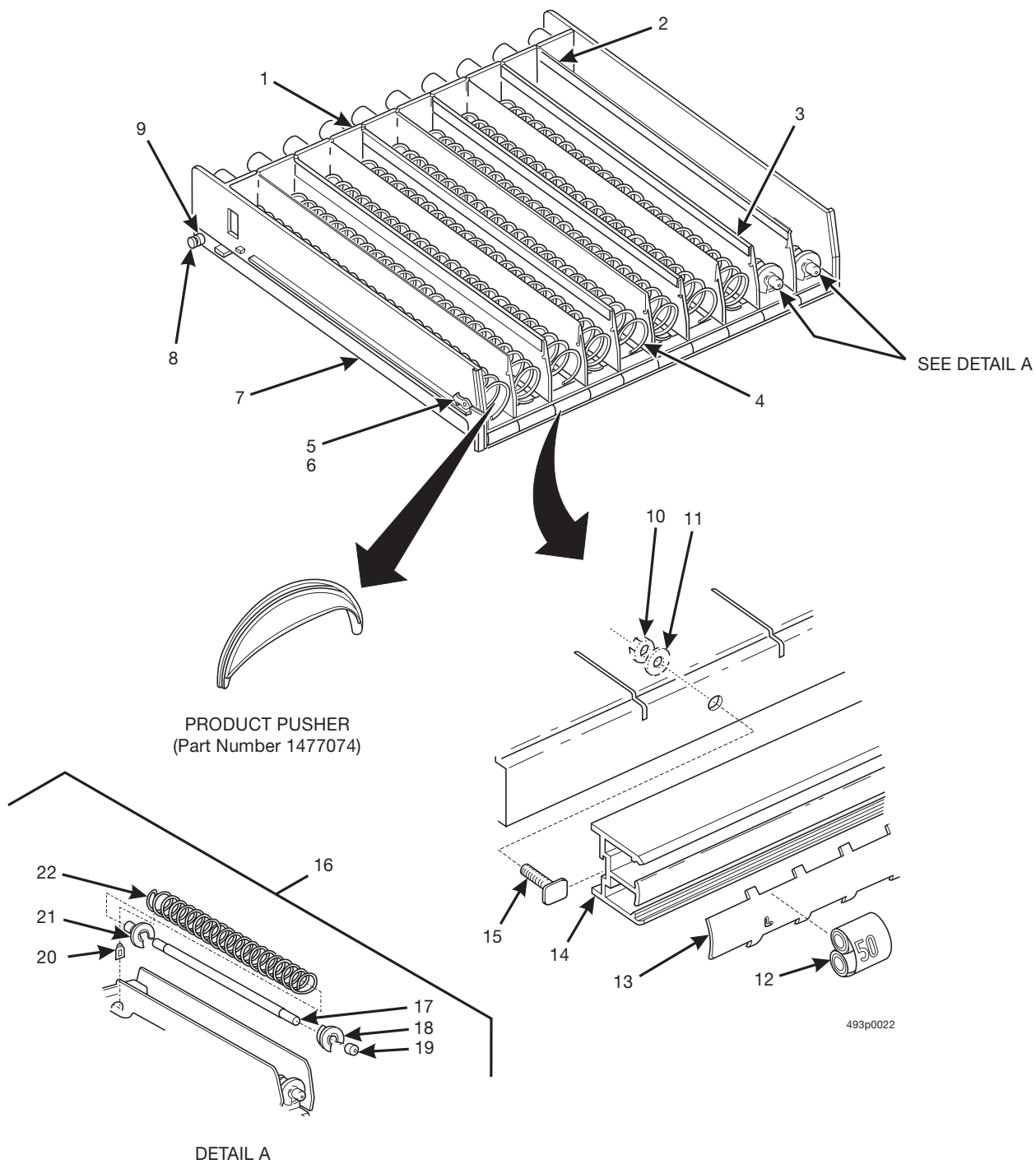
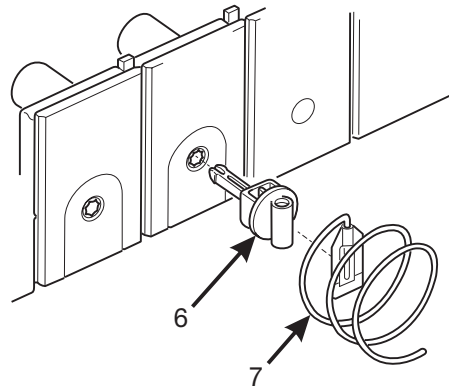
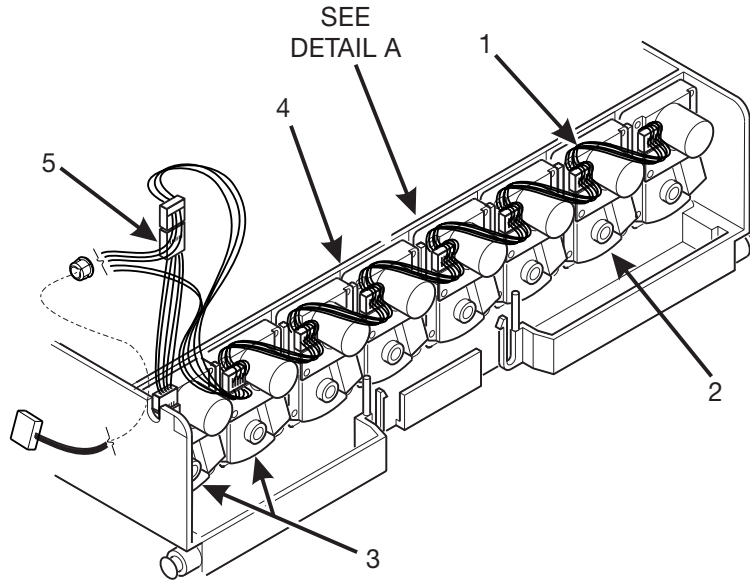


Figure 33. Gum and Mint Tray Assembly (Part 1 of 2)



**TABLE 33. GUM AND MINT TRAY ASSEMBLY (PART 1 OF 2)**

ITEM	PART NUMBER	DESCRIPTION	QTY
-	1607003	TRAY ASSEMBLY - 6 CANDY - 2 GUM	1
1	1477175	WALL - TRAY	7
2	-	SPIRAL (SEE FIGURE 34 A FOR DETAILS)	-
3	1477017	LATCH	2
4	5201267	PUSH ON RETAINER - .312	2
5	1587003	TRAY - 4 & 8 DIVISION	2
6	1477097	AXLE - TRAY ROLLER	2
7	1477148	ROLLER - TRAY	2
8	9900030	NUT #8-32 SELF-LOCKING	2
9	5560113	WASHER - HOPPER RELEASE	2
10	1477014	ROLL - PRICE - CENTS	8
11	1487016	HOLDER - PRICE & SELECTION	1
12	1487009	RAIL - PRICE & SELECTION	1
13	2222031	TEE BOLT - TRIM	2
14	1467127	SPIRAL ASSEMBLY - DUAL GUM & MINT (INCLUDES INDEX NUMBERS 15 - 20	2
15	1467131	SPIRAL INSERT ASSEMBLY	1
16	1467129	DISC - SPIRAL INSERT	1
17	1467136	CAP - SPIRAL INSERT	2
18	1467130	DISC - SPIRAL INSERT	1
19	1467137	RETAINER - SPIRAL - ORANGE	1
20	1467128	SPIRAL - 2.65 DIAMETER - DUAL GUM & MINT	1



DETAIL A

159P0038

Figure 34. Gum and Mint Tray Assembly (Part 2 of 2)

**TABLE 34. GUM AND MINT TRAY ASSEMBLY (PART 2 OF 2)**

ITEM	PART NUMBER	DESCRIPTION	QTY
1	1599018	HARNESS - 8 MOTOR TRAY	1
2	1577035	MOTOR & PCB ASSEMBLY	6
3	1477114	MOTOR & PCB ASSEMBLY	2
4	3502097	BUSHING	1
5	1477156	JUMPER ASSEMBLY - MOTOR REVERSING	1
6	1477113	COUPLING - SPIRAL	8
7	-	SPIRAL (SEE FIGURE 34 A FOR DETAILS)	-

**TABLE 34 A. SPIRAL OPTIONS**

			PART NUMBERS			
			LEFT HAND		RIGHT HAND	
Spiral Count	Retainer Color	Retainer	Assembly	Spiral	Assembly	Spiral
6	PURPLE	1477107	1477103	1477102	1477105	1477104
9	GRAY	1477155	1477149	1477150	1477152	1477153
11	BLUE	1457061	1477023	1477024	1477026	1477027
13	YELLOW	1457062	1477029	1477030	1477032	1477033
15	RED	1457063	1477035	1477063	1477038	1477039
17	BROWN	1477106	1477101	1477100	1477099	1477098
20	WHITE	1457064	1477041	1477042	1477044	1477045
25	GREEN	1457065	1477047	1477048	1477050	1477051
30	BLACK	1477073	1477053	1477054	1477056	1477057

**TABLE 34 B. PRICE ROLLS FOR TRAYS**

PART NUMBER	DESCRIPTION
1477014	ROLL - PRICE - CENTS
1477015	ROLL - PRICE - DOLLARS

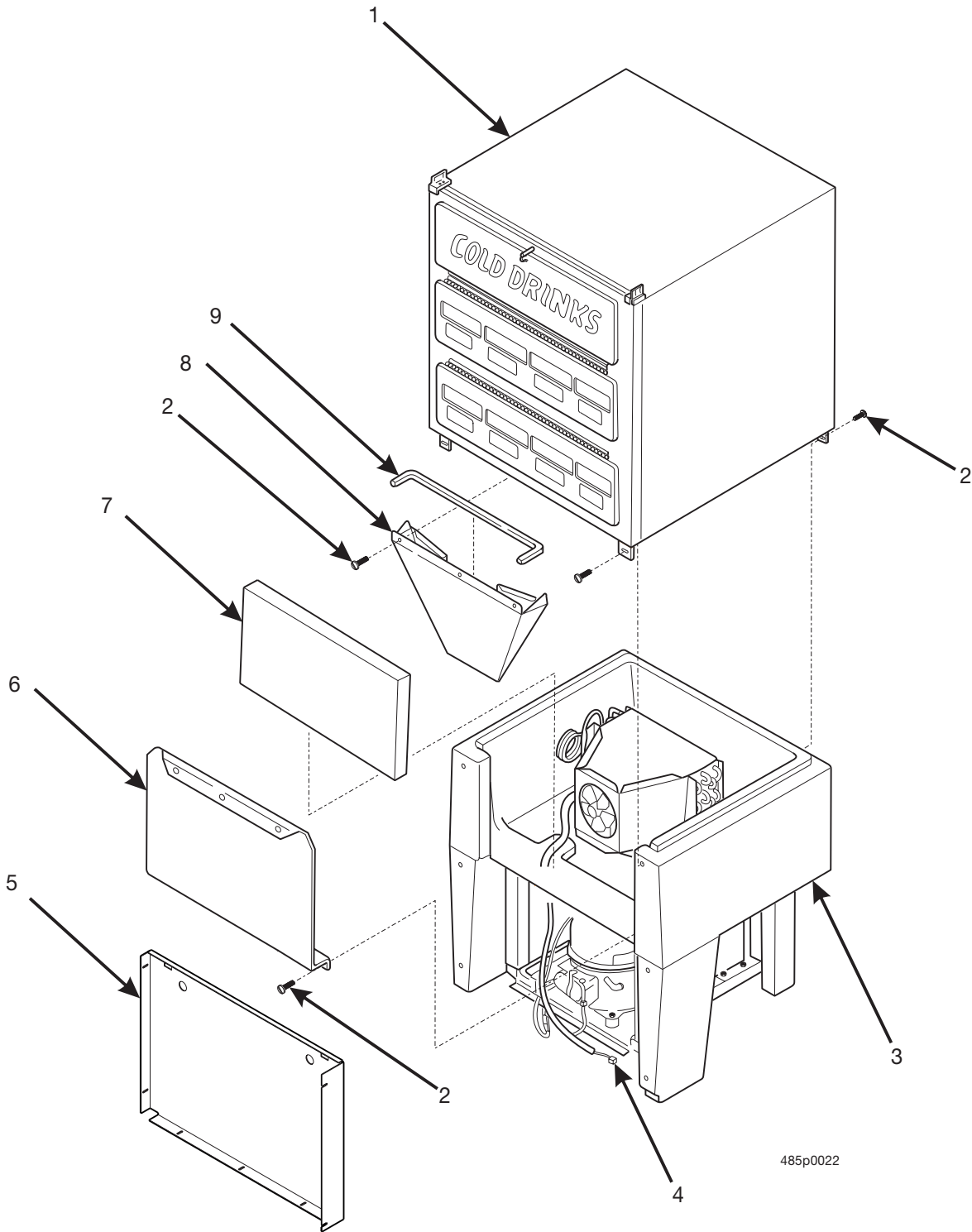


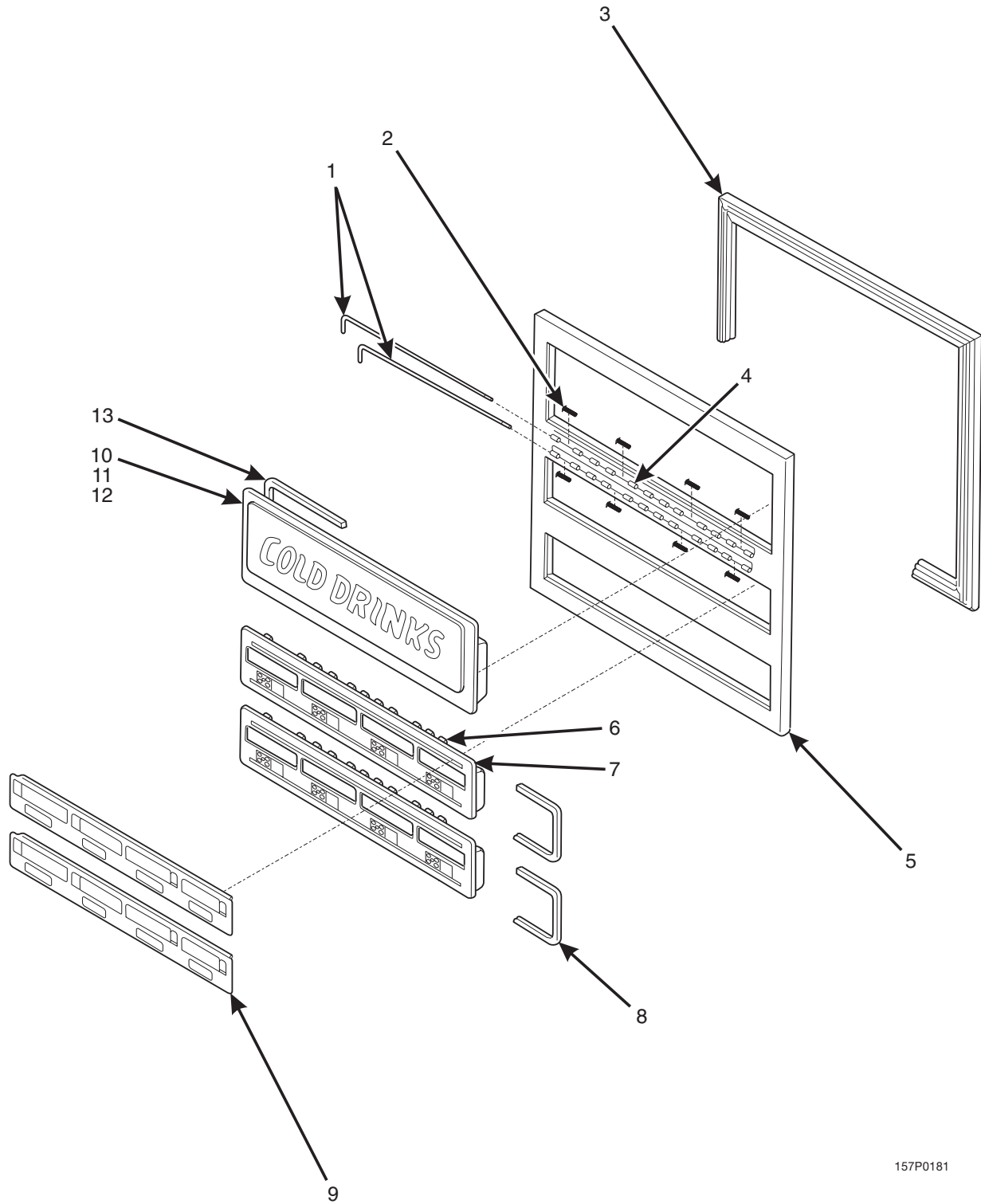
Figure 35. Can and Refrigeration Module

**TABLE 35. CAN AND REFRIGERATION MODULE**

INDEX	PART NUMBER	DESCRIPTION	QTY.
1	4847001	CAN MODULE ASSEMBLY - 8 SELECT (110V)	1
2	4727144	SCREW - #8-18 X .62 HEX HEAD	4
3	7844006	REFRIGERATION MODULE ASSEMBLY - FINAL - R134A -CAN (110V)	1
4	4849025	HARNESS - CAN/CHILLER COMPRESSOR	1
5	4851073	COVER PAN - COMP. - CABINET	
6	4744042	DOOR - RETAINER	1
7	4744027	DOOR - REFRIGERATION MODULE	1
8	4744024	DUCT ASSEMBLY - AIR DISTRIBUTION	1
9	4744028	GASKET - DUCT DISTRIBUTION	1

**THE FOLLOWING IS AVAILABLE AS AN ASSEMBLY**

PART NUMBER	DESCRIPTION
4744023	DUCT & GASKET ASSEMBLY (INCLUDES INDEX NUMBERS 8 & 9)

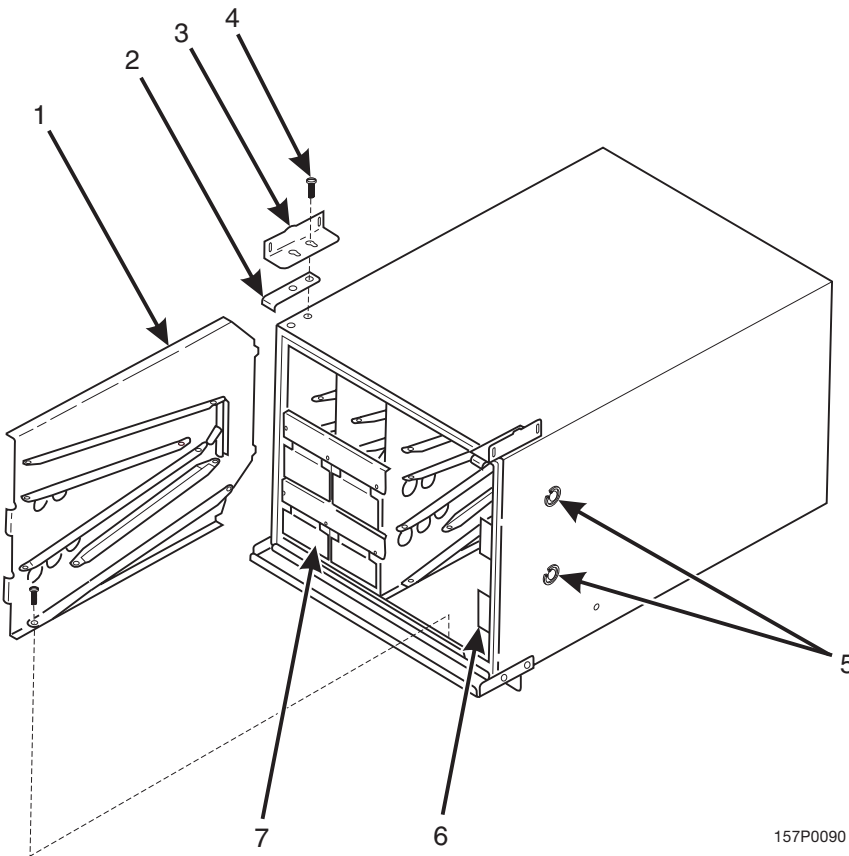


157P0181

Figure 36. Can Unit Frame Assembly

**TABLE 36. CAN UNIT FRAME ASSEMBLY**

INDEX	PART NUMBER	DESCRIPTION	QTY.
-	4747065	FRAME ASSEMBLY - 8 SELECT	-
1	4747135	PIN - HINGE	3
2	4747064	SPRING - DOOR RETURN	14
3	4747003	GASKET - FRAME - 8 SELECT	1
4	7847003	HINGE - DELIVERY DOOR	3
-	2226380	SCREW - #6-19 X .38 PHS T/C	18
-	4747128	NUT - 1.060 LONG - BLK	18
5	4747127	FRAME - CAN MODULE - 8 SEL.	1
6	7847004	HINGE - DOOR	2
-	2226380	SCREW - #6-19 X .38 PHS T/C	5
-	4747131	NUT - .343 LONG - BLK.	5
7	4747134	DOOR - DELIVERY	2
8	4747009	GASKET - DELIVERY DOOR	2
9	4747111	RETAINER - LABEL	2
-	4747128	NUT - 1.060 LONG - BLK.	8
10	7847004	HINGE - DOOR	1
-	2226380	SCREW - #6 -19 X .38 PHS T/C	5
-	4747131	NUT - .343 LONG - BLK	5
11	4747133	DOOR - LOADING	1
12	4727145	LABEL - LOADING DIAGRAM	1
13	4747014	GASKET - LOADING DOOR	1
-	4747159	PHOTO - LOADING DOOR - P.O.P. (NOT SHOWN)	OPT.



157P0090

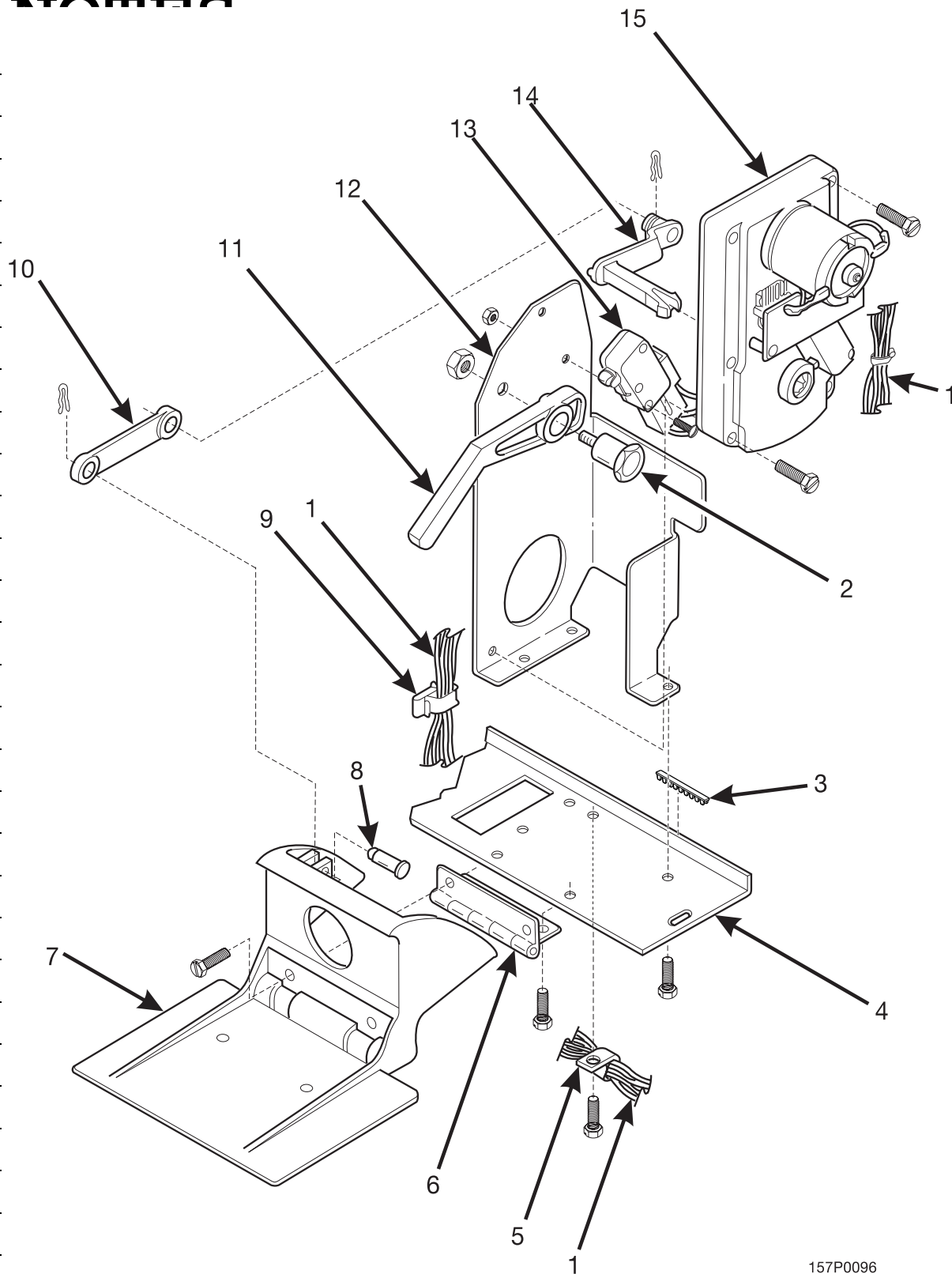
Figure 37. Can Compartment Assembly



**TABLE 37. CAN COMPARTMENT ASSEMBLY**

INDEX	PART NUMBER	DESCRIPTION	QTY.
-	4847001	CAN MODULE ASSEMBLY - 8 SELECT (110V)	1
1	4747110	DIVIDER AND RAIL ASSEMBLY	3
2	4747089	RETAINER - FRAME - UPPER	2
3	4741022	RETAINER - CAN MODULE	2
4	4727144	SCREW - #8-18 X .62 HEX HEAD1	4
5	4747042	BUSHING - OPEN/CLOSED	4
6	4747044	ANGLE - EJECTOR MOUNTING CHANNEL	4
-	4721035	SCREW - 8-18 X .38 LGM	8
7	4847002	MOTOR & EJECTOR MOUNTING CHANNEL ASSEMBLY	

**NOTED**

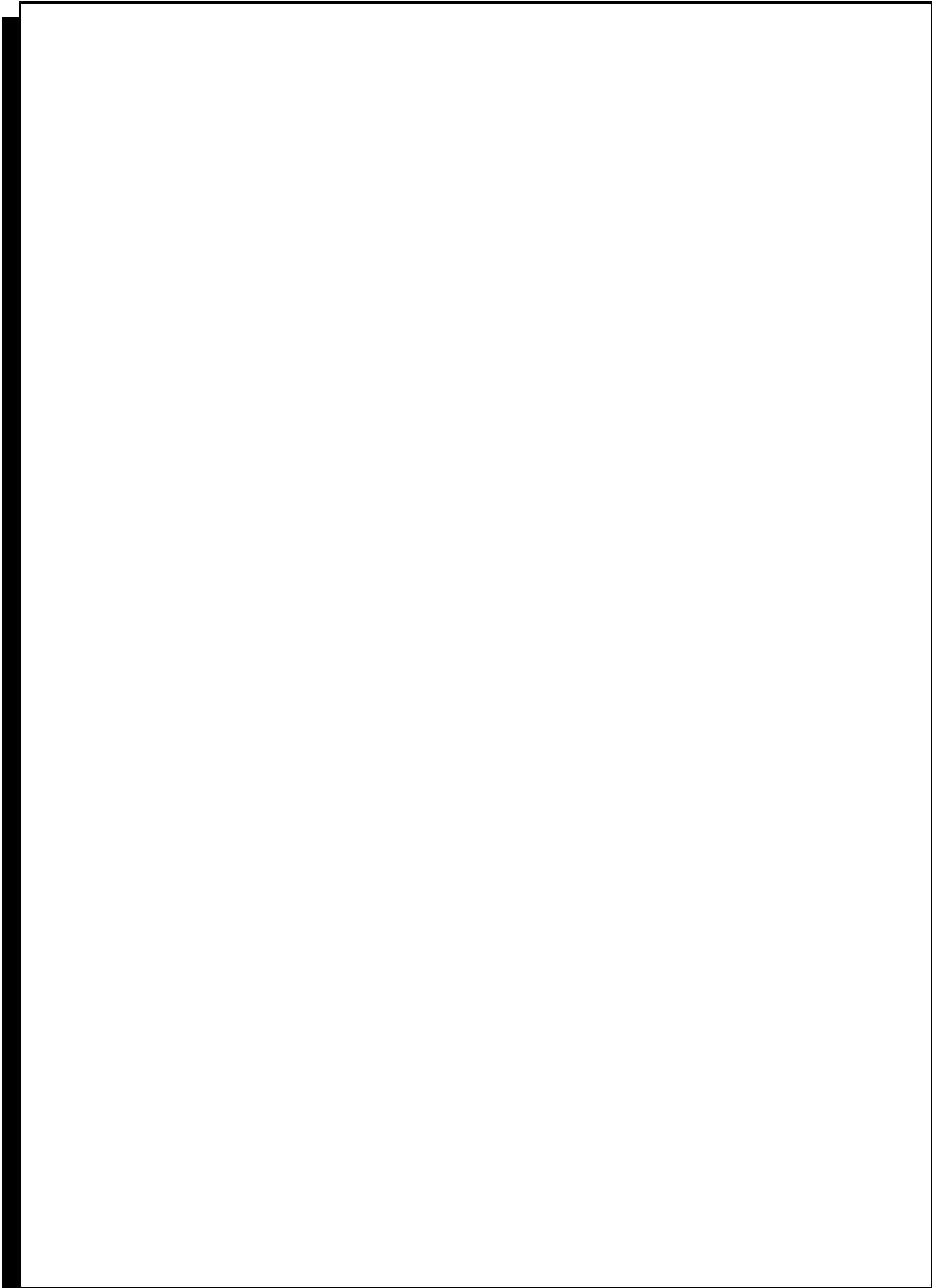


157P0096

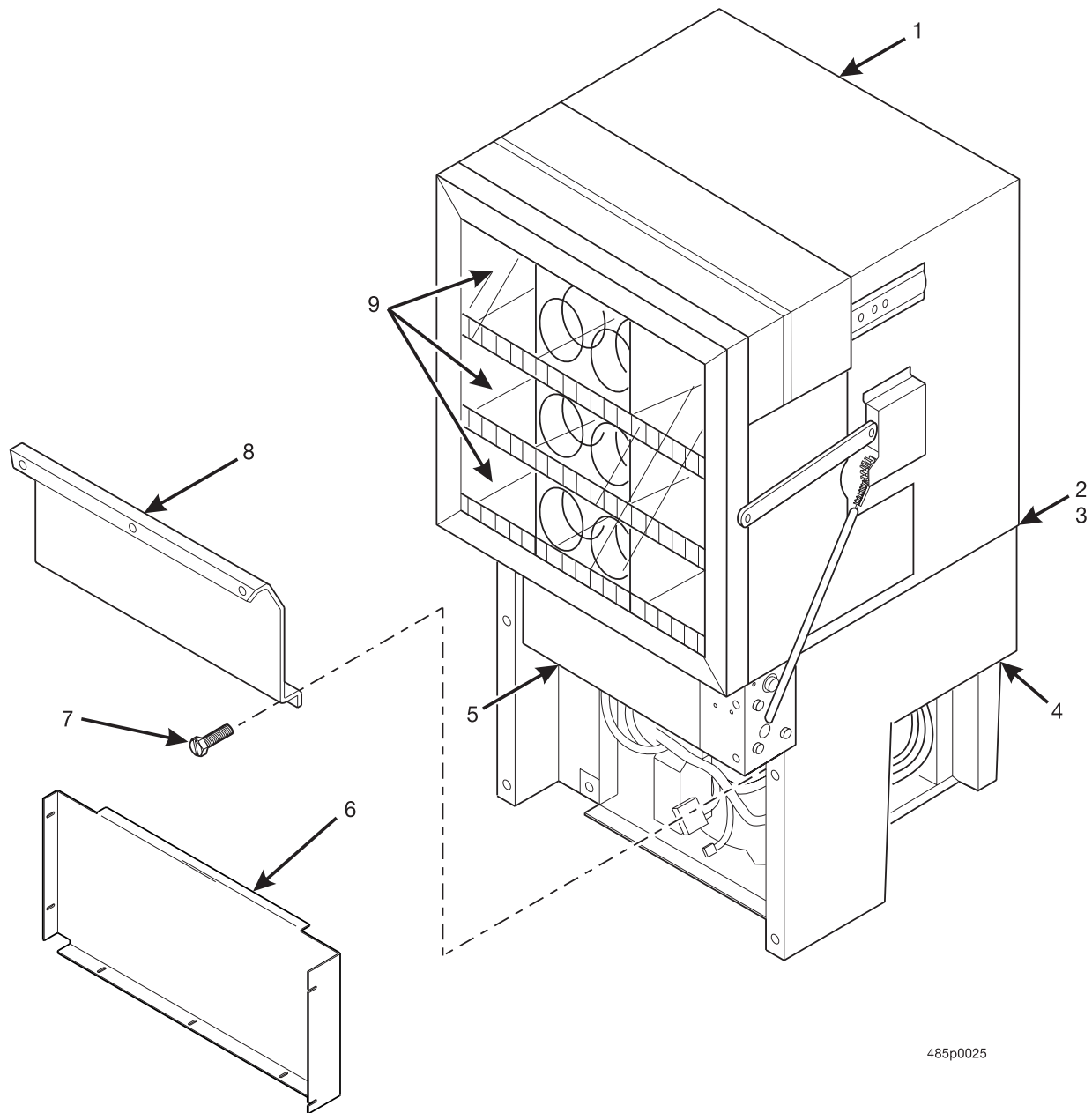
Figure 38. Motor and Ejector Mounting Channel Assembly

**TABLE 38. MOTOR AND EJECTOR MOUNTING CHANNEL ASSEMBLY**

INDEX	PART NUMBER	DESCRIPTION	QTY.
-	4847002	MOUNTING CHANNEL ASSEMBLY - MOTOR AND EJECTOR	-
1	4849028	HARNESS - CAM EJECTORS	1
	4849029	HARNESS - CAM EJECTORS (AUSTRALIA)	
2	1457099	STUD - TRAY ROLLER	4
3	4712002	EDGING - NYLON - LONG - 1.0"	4
4	4747029	CHANNEL - MOTOR AND EJECTOR MOUNTING	1
	4847036	CHANNEL - MOTOR AND EJECTOR MOUNTING (AUSTRALIA)	
5	2342315	CLIP - WIRE HARNESS	8
6	4747038	HINGE - EJECTOR	1
7	4747606	CAM - EJECTOR	1
8	4747031	PIVOT PIN - EJECTOR CAM	4
9	1212159	CLIP - WIRE	1
10	4747030	ARM - EJECTOR DRIVE	4
11	4747036	SWITCH - ACTUATOR - SOLD OUT	1
12	4747034	BRACKET - MOTOR MOUNTING	1
13	2366091	SWITCH - ROLLER - LEVER	1
14	4747035	CAM - EJECTOR DRIVE	1
15	1577035	PCB AND MOTOR ASSEMBLY	1



<b>TABLE 39. REFRIGERATION MODULE ASSEMBLY - CAN (110 V) (NOT SHOWN)</b>		
<b>PART NUMBER</b>	<b>DESCRIPTION</b>	<b>QTY.</b>
7844007	REFRIGERATION MODULE ASSEMBLY FINAL - R134A -CAN	1
4744045	SHROUD - EVAPORATOR FAN	1
4724124	FAN - EVAPORATOR	1
4744020	SHROUD - TOP	1
4744069	GASKET - EVAPORATOR FAN SHROUD	4
4119013	PROBE - TEMPERATURE SENSOR	1
4774013	BUSHING - OPEN/CLOSED - .38	1
4744030	PLATE - TEMPERATURE SENSOR	1
4744017	GASKET - REFRIGERATION MODULE	1
4844026	EVAPORATOR AND TUBE ASSEMBLY - TECUMSEH	1
3128063	DRAIN - WATER BATH	1
4744002	HOUSING - REFRIGERATION MODULE	1
4644008	TRIAC & SUPPORT ASSEMBLY - CAN/CHILL	1
3608149	BLADE - CONDENSER FAN FV-700CW20P	1
4043121	SILENCER - FAN - MORRIL S-5847-1	1
4744112	MOTOR - CONDENSER FAN	1
4744009	BRACKET - CONDENSER MOTOR	1
4724066	GROMMET - 11/16 HIGH	4
4844002	BASE & STUD ASSEMBLY - CONDENSER	1
4304192	LABEL - R134A - SMALL	1
4744022	PAN - CONDENSATE	1
4744106	BAG - COMPRESSOR - 115V	1
-	STRAP - BALE	1
-	COVER - TERMINAL	1
-	RELAY	1
-	OVERLOAD	1
-	GROMMET	4
-	SLEEVE	4
4744108	COMPRESSOR - AZ0370Y - R134A	1
3608146	SHROUD - CONDENSER FAN	1
4744109	CONDENSER - W/PROCESS TUBE	1
4849025	HARNESS - CAN/CHILLER COMPRESSOR	1
4301152	DRAIN - CONDENSATE	1



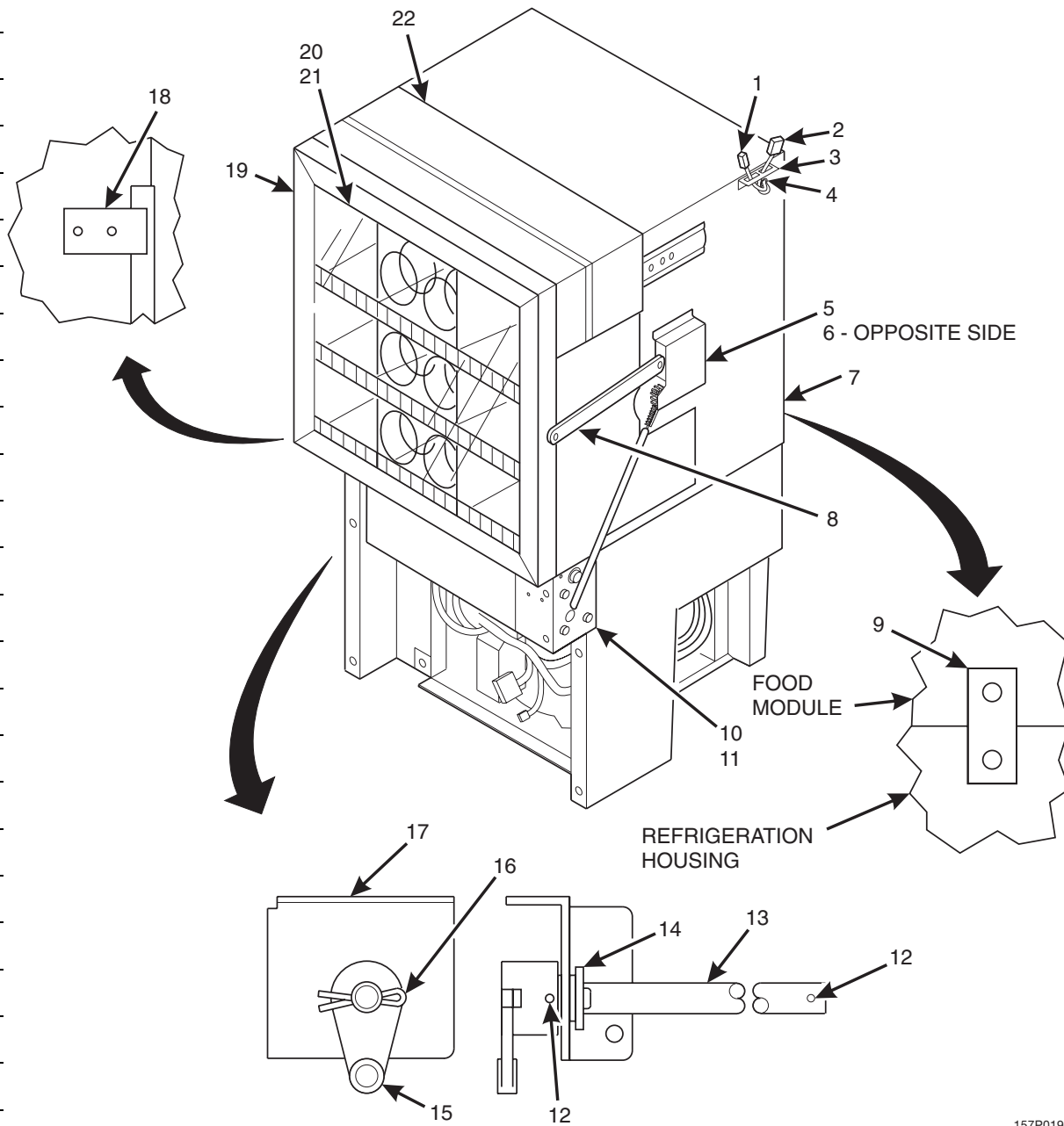
485p0025

Figure 40. Refrigerated Food Module and Housing Assembly

**TABLE 40. REFRIGERATED FOOD MODULE AND HOUSING ASSEMBLY**

INDEX	PART NUMBER	DESCRIPTION	QTY.
1	4907000	REFRIGERATED FOOD MODULE ASSEMBLY - 110V	1
2	4404013	GASKET - REFRIGERATED MODULE - OUTSIDE	1
3	4744017	GASKET - REFRIGERATED MODULE	1
4	7844007	REFRIGERATION MODULE ASSEMBLY - 110V	1
5	4744027	DOOR - REFRIGERATION MODULE	1
6	4851075	COVER & SEAL ASSEMBLY - COMPRESSOR	1
7	4727144	SCREW - #8-18X.62 HEX HEAD	6
8	4744042	DOOR - RETAINER	1
9	-	TRAY ASSEMBLIES (SEE FIGURE 46 FOR DETAILS)	3

# NOTES . . .



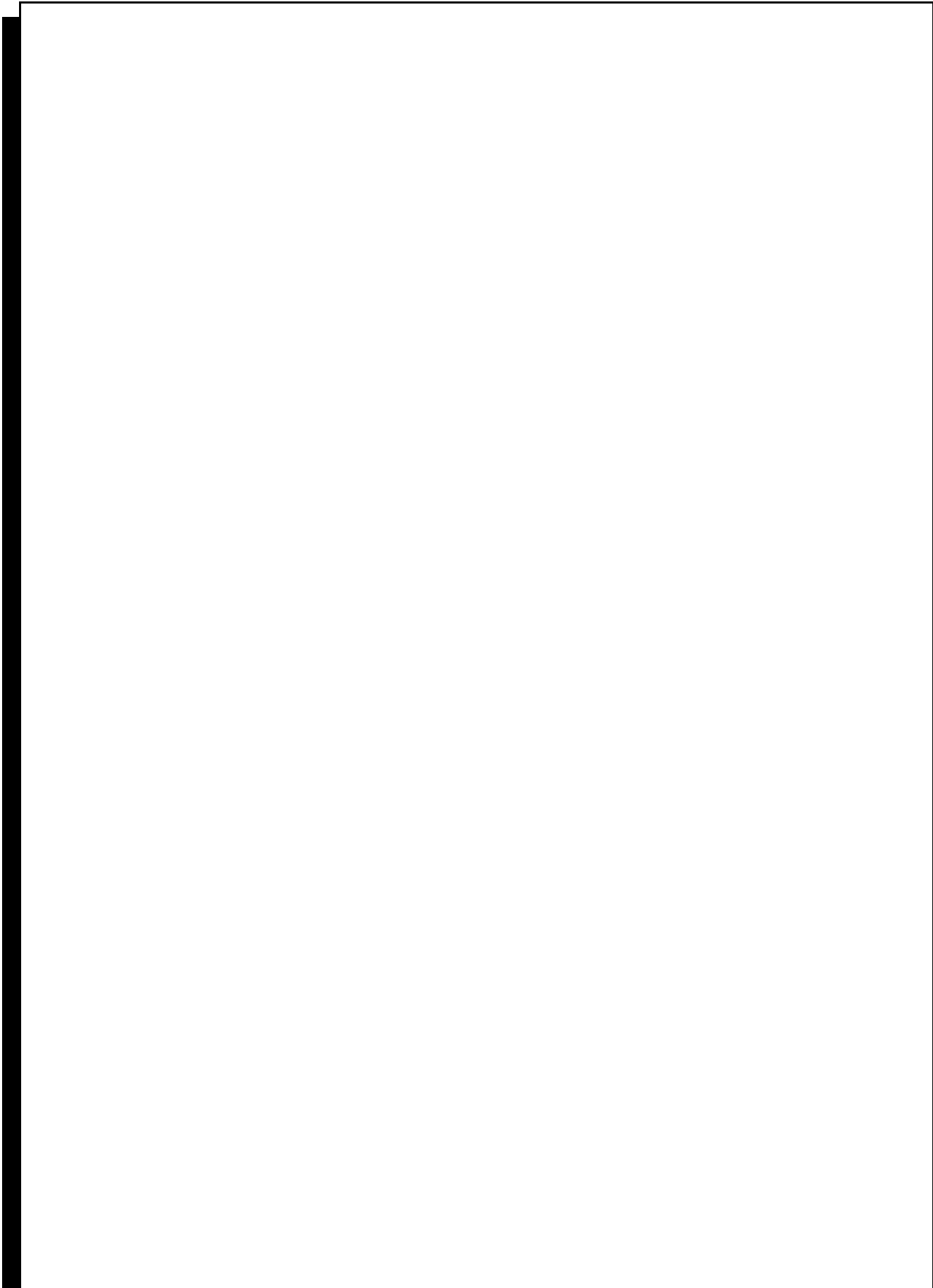
157P0194

Figure 41. Major Components - Refrigerated Food Module



**TABLE 41. MAJOR COMPONENTS - REFRIGERATED FOOD MODULE**

INDEX	PART NUMBER	DESCRIPTION	QTY.
1	4119013	PROBE - TEMPERATURE SENSOR	1
2	4407009	JUMPER - CHANNEL PCB - FOOD MODULE	1
3	4407002	BRACKET - CABLE PLUG	1
-	4721035	SCREW - #8-18 X .38 - LGM	2
4	3502097	BUSHING #OCB - 500	1
5	4407069	DRIVE ARM ASSEMBLY - R.H. (SEE FIGURE 52 FOR DETAILS)	1
-	9900425	RETAINING RING REINF E TYP. 312	1
-	1451097	SCREW - #8-32 X .31 HEX HD. TF - BLK	5
6	4407052	DRIVE ARM ASSEMBLY - L..H. (SEE FIGURE 51 FOR DETAILS)	1
-	9900425	SCREW - RETAINING RING REINF. E TYP. 250	1
-	1451097	SCREW - #8-32 X .31 HEX HD. TF-BLK.	-
7	4407026	HOUSING & LINER ASSEMBLY - FOOD MODULE	1
8	9900431	RETAINING RING REINF. E TYP. 312	1
9	4747062	MOUNTING STRAP - CAN MODULE	1
-	4721035	SCREW - #8-18 X .38 - LGM	-
-	4727144	SCREW - #8-18 X .62 HEX HEAD	-
10	4407077	MOTOR MOUNTING BRACKET ASSEMBLY (SEE FIGURE 53 FOR DETAILS)	1
-	4721035	SCREW - #8-18 X .38 - LGM	3
-	4727144	SCREW - #8-18 X .62 HEX HEAD	1
11	4747725	COVER - MOTOR ASSEMBLY	1
-	1451097	SCREW - #8-32 X .31 HEX HD. TF-BLK	5
-	4407086	DRIVE SHAFT ASSEMBLY (INCLUDES INDEX #'S 12 - 17)	1
12	3127034	ROLL PIN 1/8 X 13/16	2
13	4407087	SHAFT - DRIVE	1
14	4047012	SHOULDER BUSHING	1
15	4407079	ARM - DRIVE	1
16	9900098	COTTER PIN 3/32 X 3/4 IN.	2
17	4407088	BRACKT - DRIVE SHAFT	1
18	4844027	GUIDE - DOOR FRAME SUPPORT	1
19	G4747000	DOOR ASSEMBLY - REFRIGERATED FOOD MODULE (SEE FIGURE 50 FOR DETAILS)	1
-	5500026	SCREW - 8-32 X 3/8 PHS T/F	-
20	4741223	DECAL - COLD/FROZEN FOOD	1
21	4612001	DECAL - "CHILLED FOR FRESHNESS"	1
22	4747716	DOOR FRAME ASSEMBLY (SEE FIGURE 43 FOR DETAILS)	1
-	5500026	SCREW - 8-32 X 3/8 PHS T/F	-



**TABLE 42. REFRIGERATION MODULE ASSEMBLY - REFRIGERATED FOOD (110 V) (NOT SHOWN)**

PART NUMBER	DESCRIPTION	QTY.
7844007	REFRIGERATION MODULE ASSEMBLY FINAL - FOOD	1
4404006	PLATE - EVAPORATOR FAN SHROUD	1
4744045	SHROUD - EVAPORATOR FAN	1
4724124	FAN - EVAPORATOR	1
4744020	SHROUD - TOP	1
4844026	EVAPORATOR & TUBE ASSEMBLY - TECUMSEH	1
4404003	BAFFLE - REFRIGERATION	1
4404015	GASKET - BAFFLE - TOP	1
4404016	GASKET - BAFFLE - BOTTOM	1
3128063	DRAIN - WATER BATH	1
4744002	HOUSING - REFRIGERATION MODULE	1
4301152	DRAIN - CONDENSATE	1
4844019	TRIAC & SUPPORT ASSEMBLY - REFRIGERATED	1
3608149	BLADE - CONDENSATE FAN FV-700CW20P	1
4043121	SILENCER - FAN - MORRIL S-5847-1	1
4744112	MOTOR - CONDENSER FAN	1
4744009	BRACKET - CONDENSER MOTOR	1
4744070	SLEEVE - 23/32" LENGTH	4
4724066	GROMMET - 11/16: HIGH	1
4844002	BASE & STUD ASSEMBLY - CONDENSER	1
4304192	LABEL - R134A - SMALL	4
4744022	PAN - CONDENSATE	1
4744106	BAG - COMPRESSOR COMP - 115V	1
-	BALE STRAP	1
-	COVER	1
-	RELAY	1
-	OVERLOAD	1
-	GROMMET	4
-	SLEEVE	4
4744108	COMPRESSOR - AZ0370Y - R134A	1
3608146	SHROUD - CONDENSER FAN	1
4744109	CONDENSER - W/PROCESS TUBE	1
4744564	HARNESS - COMPRESSOR - R134A - CAN (NOT SHOWN)	1

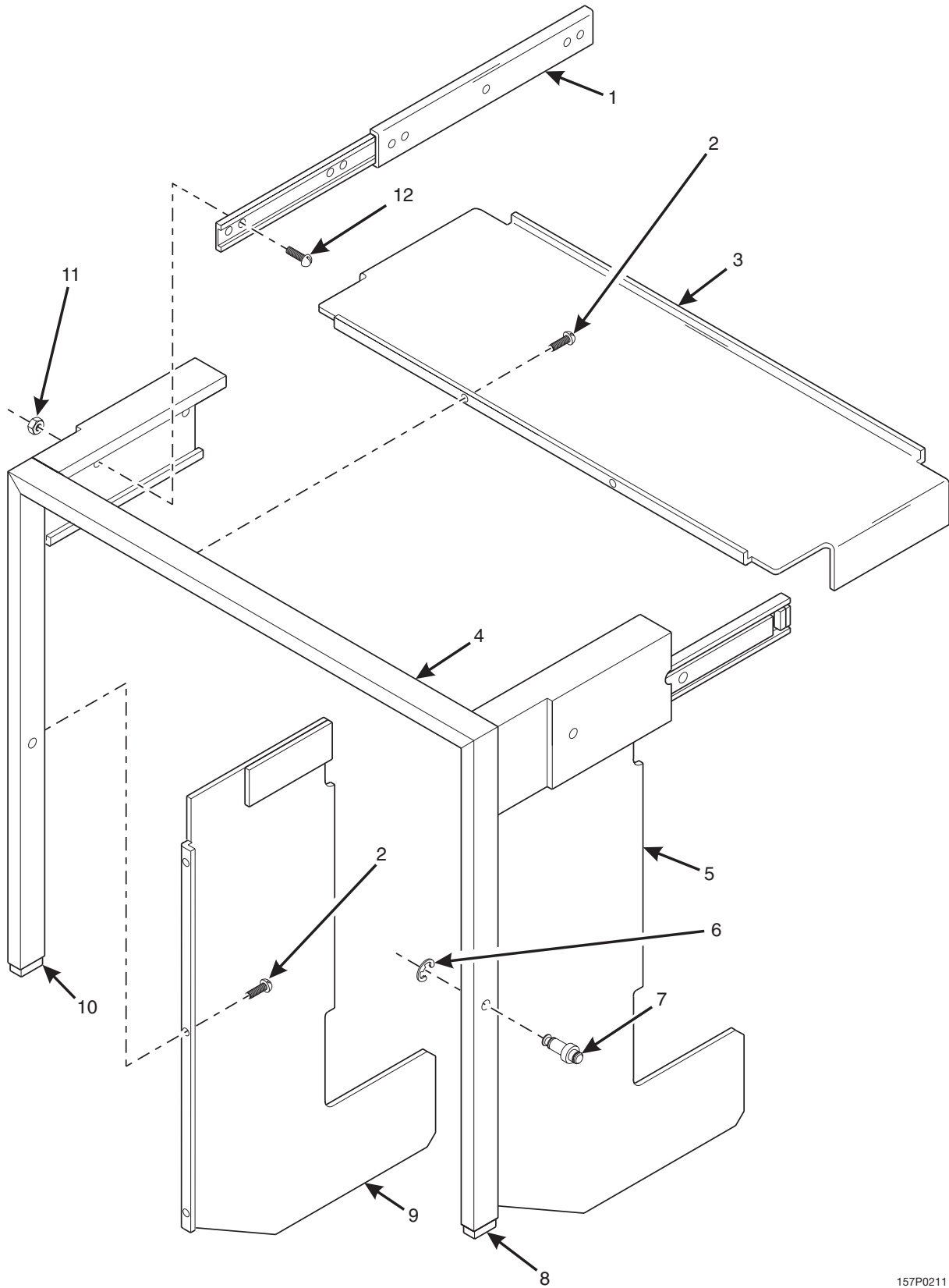


Figure 43. Food Module Door Frame Assembly

157P0211

**TABLE 43. FOOD MODULE DOOR FRAME ASSEMBLY**

INDEX	PART NUMBER	DESCRIPTION	QTY.
-	4747716	DOOR FRAME ASSEMBLY	1
1	4407103	SLIDE - 10"	2
2	1451097	SCREW - #8-32 X .31 HEX HD. TF - BL	8
3	4407106	SHIELD - SIDE - RIGHT SIDE	1
4	4407107	DOOR FRAME WELD ASSEMBLY	1
5	4407159	SHIELD - RIGHT SIDE	1
6	9900431	RETAINING RING REINF E TYP. 3	1
7	4407102	STUD - DOOR LATCH	1
8	1479120	CAPLUG - REC. ½ X 1	1
9	4407158	SHIELD - LEFT SIDE	1
10	4407101	SUPPORT - DOOR FRAME	1
11	1412046	8-32 NUT MF 23TW832 BLOX	4
12	9900118	SCREW #8-32 X 3/8 THS BLACK	4

# Snackcombo III Parts Manual

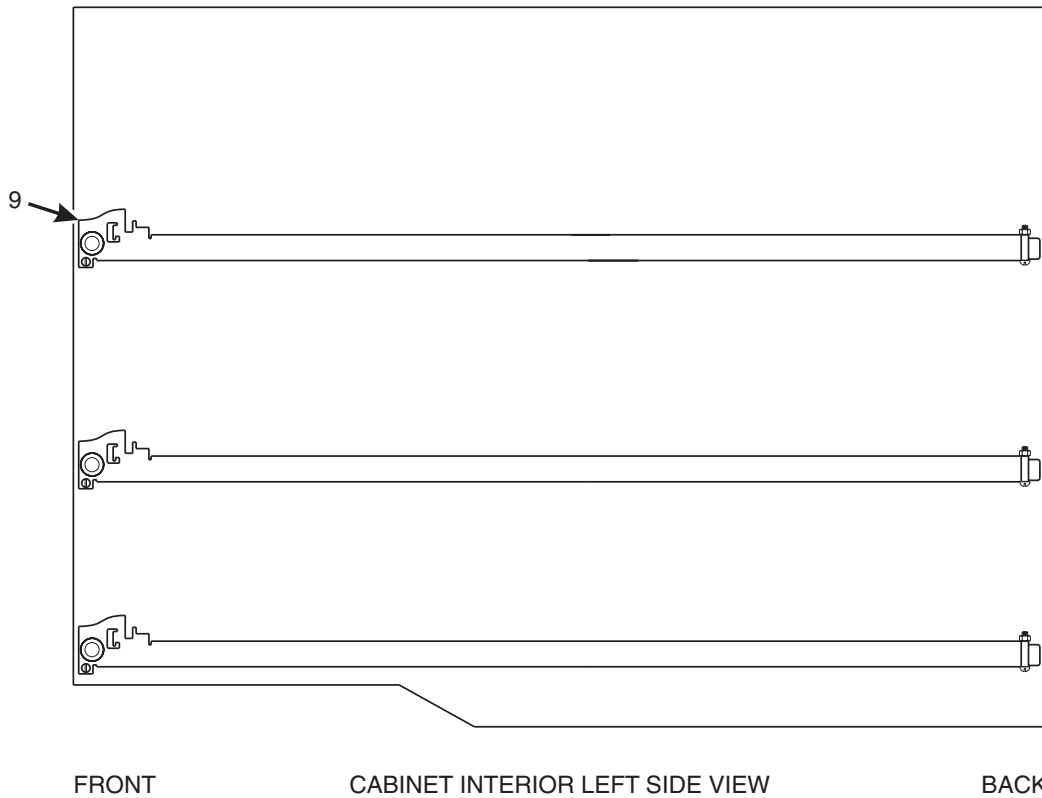
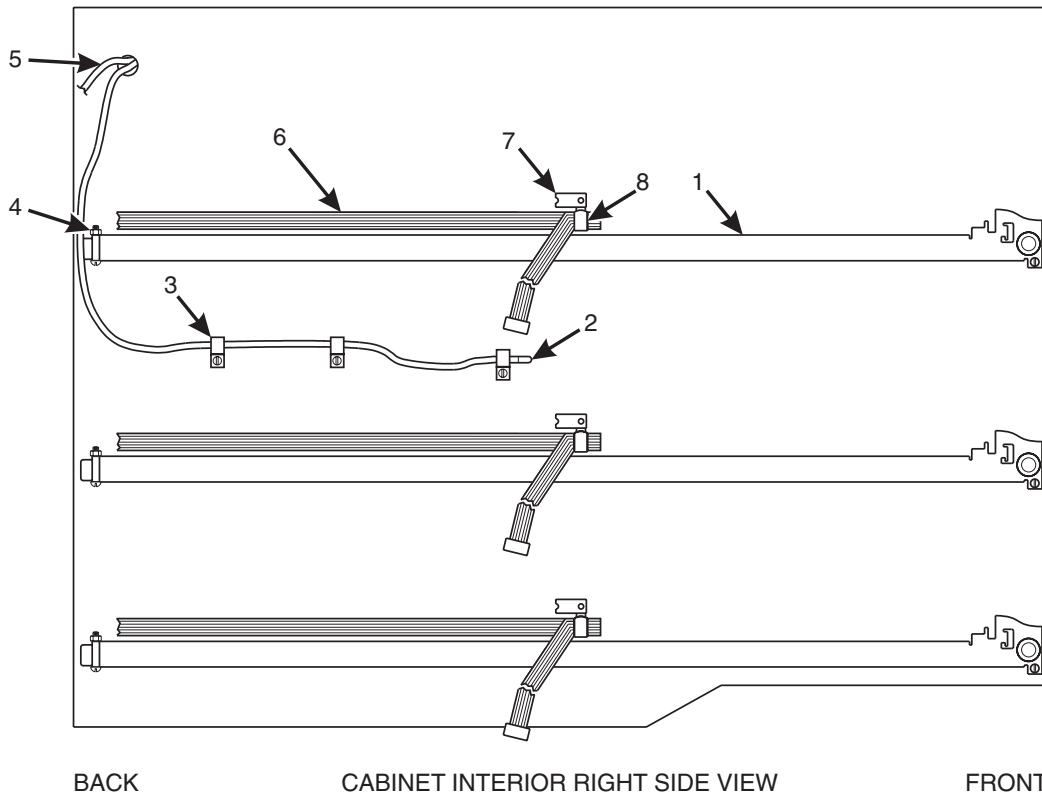


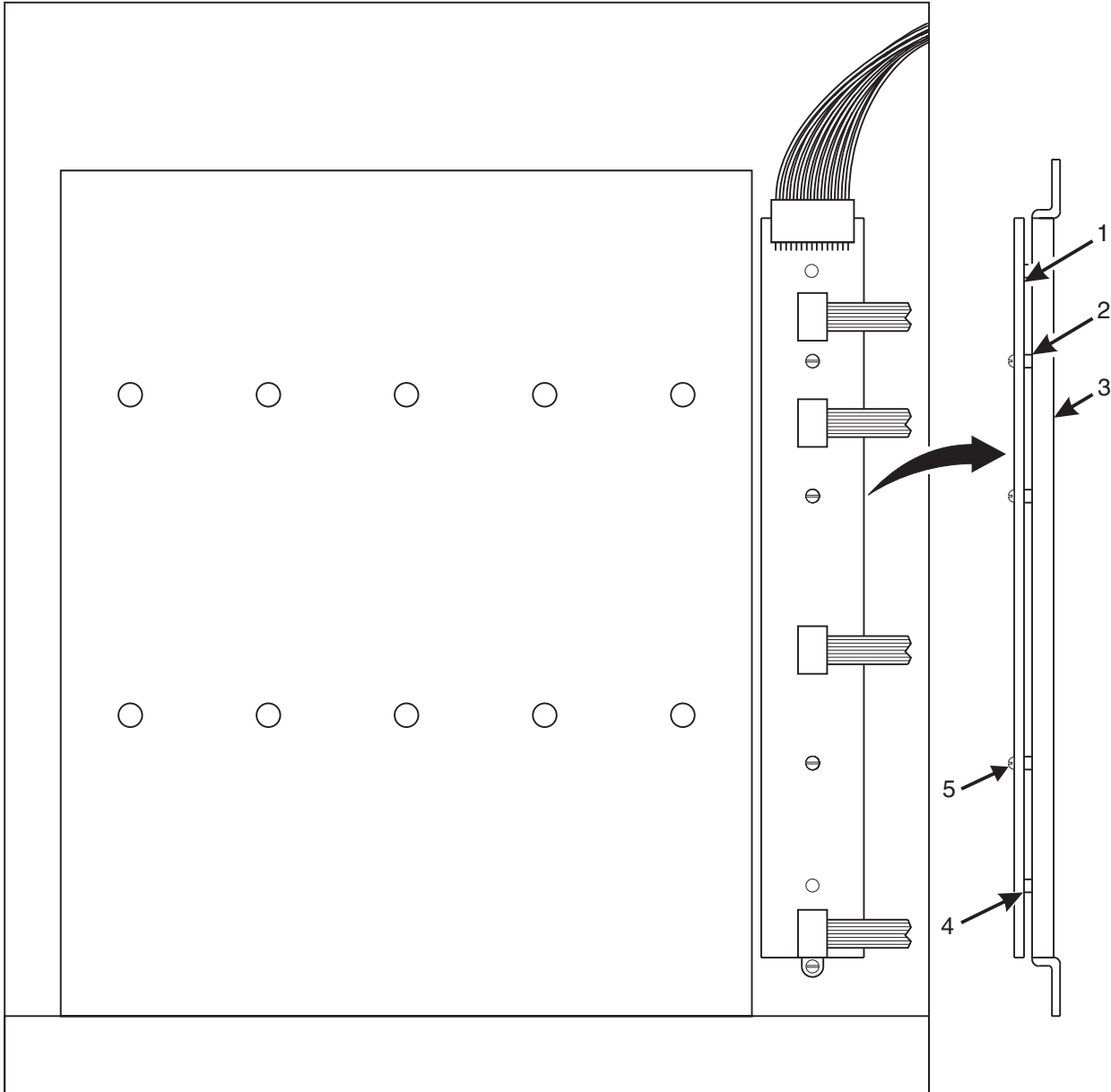
Figure 44. Refrigerated Food Module - Interior View (Part 1 of 2)

157P0195

**TABLE 44. REFRIGERATED FOOD MODULE - INTERIOR VIEW (PART 1 OF 2)**

INDEX	PART NUMBER	DESCRIPTION	QTY.
1	4407021	RAIL AND ROLLER ASSEMBLY - R.H.	3
-	4402038	SCREW	3
2	4119013	PROBE - TEMPERATURE SENSOR	1
3	2342315	CLIP - WIRE HARNESS	3
-	4402038	SCREW	3
4	4407016	WIRE COVER - 6138236 - .208 ID X .88	6
-	4402037	SCREW	6
-	6104424	NUT	6
5	4407009	JUMPER - CHANNEL PCB - FOOD MODULE	1
6	4402020	FLAT CABLE ASSEMBLY	3
7	4407156	KEEPER - HARNESS	3
-	4402038	SCREW	3
8	4407014	RECTANGULAR CLOSURE	3
9	4407017	RAIL AND ROLLER ASSEMBLY - L.H.	3
-	4402038	SCREW	3

TOP



CABINET INTERIOR BACK VIEW

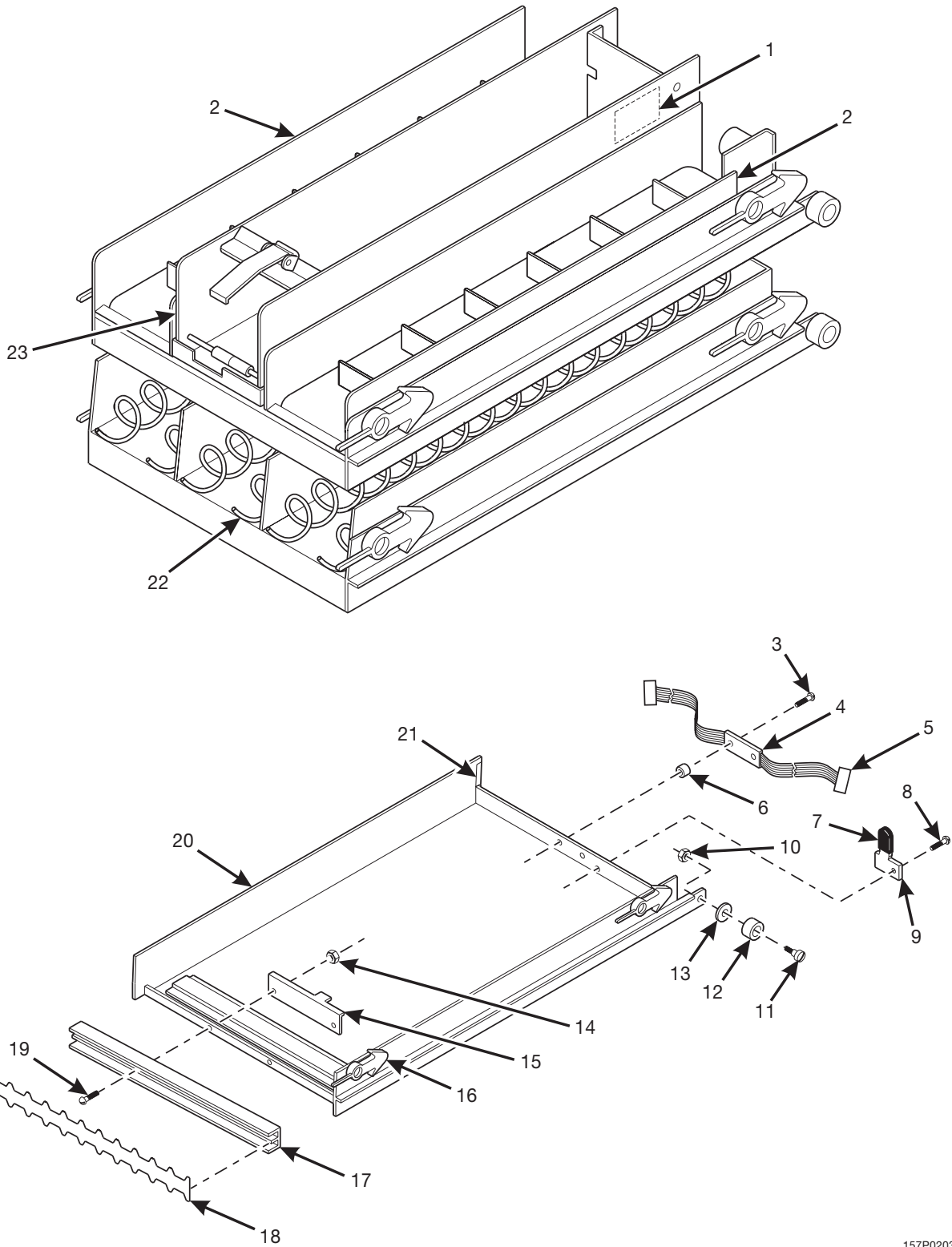
157P0197

Figure 45. Refrigerated Food Module - Interior View (Part 2 of 2)



**TABLE 45. REFRIGERATED FOOD MODULE - INTERIOR VIEW (PART 2 OF 2)**

INDEX	PART NUMBER	DESCRIPTION	QTY.
1	4401000	PCB ASSEMBLY - CHANNEL - FOOD MOD	1
2	4407025	SPACER	3
3	4407146	BRACKET - P.C. BOARD (PAINTED)	1
4	4407024	SUPPORT - CIR. BD. MINIATURE	2
5	6107240	SPACER	3



157P0203

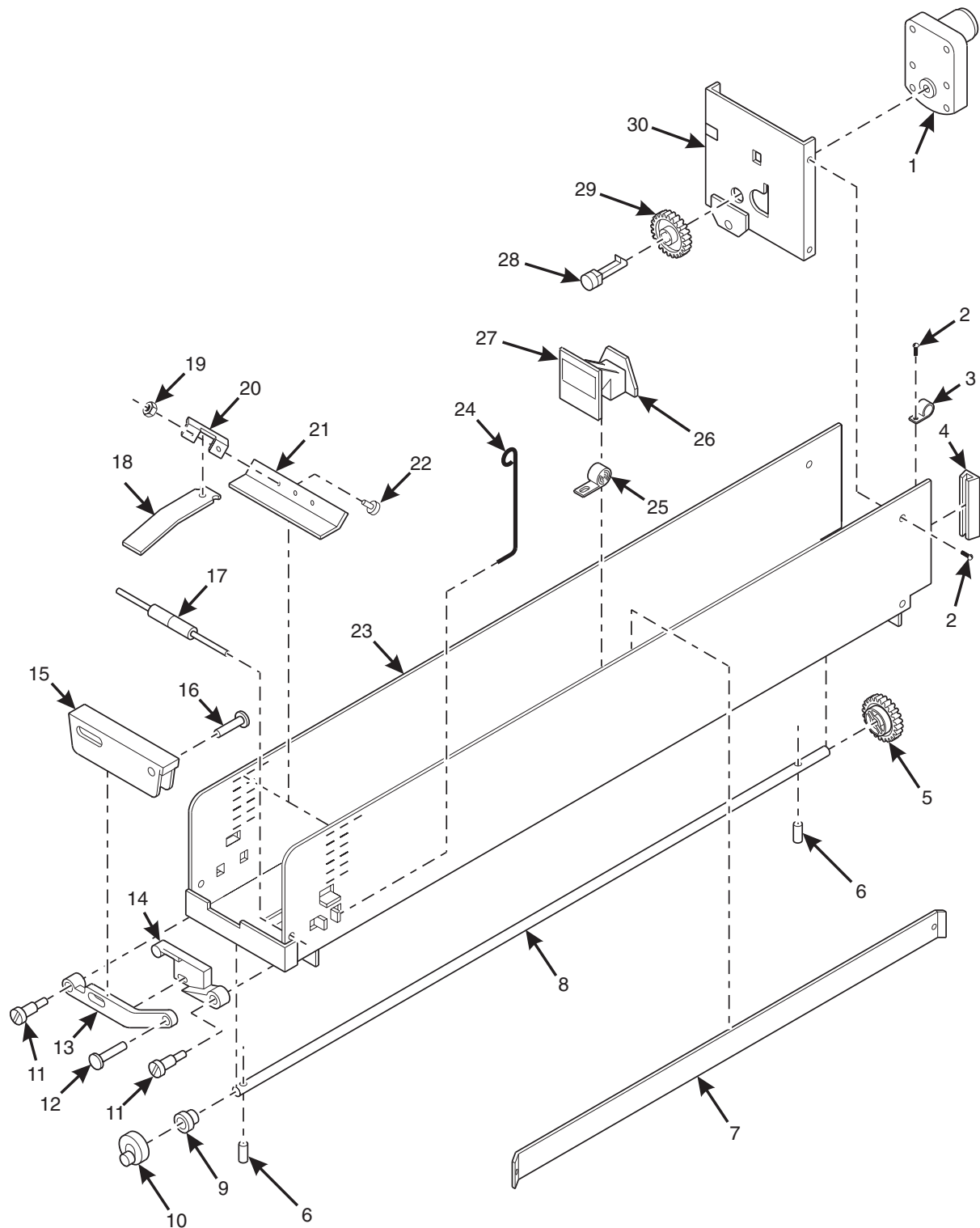
Figure 46. General Tray Assemblies - Refrigerated Food Module

**NOTE**

*Tray assemblies can be configured several different ways: All spirals, all belts, or 2 belts and 1 pusher. This table represents parts common to all trays including the modules needed to configure trays for spirals, belts or pushers*

**TABLE 46. GENERAL TRAY ASSEMBLIES - REFRIGERATED FOOD MODULE**

INDEX	PART NUMBER	DESCRIPTION	QTY.
1	4757500	LABEL - TRAY REMOVAL	1
2	4407600	BELT MODULE ASSEMBLY (SEE FIGURE 48 FOR DETAILS)	OPT
-	3104138	SCREW #8-32 X 3/8 PHS T/C SS	-
3	6107240	SCREW - #6-32 X 1/2 PHS - TCS.S.	2
4	4402008	PCB ASSEMBLY - TRAY - FOOD MODULE	1
5	4407501	HARNESS - 6 MOTOR - FOOD MODULE	1
6	4407025	SPACER - .38 OCX .14IDX . 187L	2
7	4407114	RETANGULAR CLOSURE	1
8	4402038	SCREW #8 - 15 X .38 STAINLESS	1
9	4407516	RETAINER - HARNESS	1
10	4402046	NUT #1/4 - 20 SELF LOCKING - SS	2
11	4407514	STUD - TRAY ROLLER	2
12	4407019	ROLLER - TRAY	2
13	4402041	WASHER - 5/8 X 9/32 X 1/16 - SS	2
14	4402043	NUT #8-32 W/L.W. - S.S.	2
15	4407845	RETAINER - SPIRAL MODULE (USED WITH INDEX #22 ONLY)	1
16	1477017	LATCH	4
-	5201267	PUSH ON RETAINER .312	4
17	4407503	RAIL - PRICE & SELECTION	1
18	4407504	HOLDER - PRICE & SELECTION	1
19	3108221	SCREW #8-32 X 3/8 PHS ST. STL.	2
20	4402034	TRAY WELD ASSEMBLY (PAINTED)	1
21	4407502	GROMMET - 3156015 - 2.0 LG.	1
22	4844035	COVER - TRAY MOTORS (USED WITH SPIRAL MODULE ONLY)	1
23	4844032	SEAL - MOTOR SHIELD (USED WITH SPIRAL MODULE ONLY)	1
24	4407800	SPIRAL MODULE ASSEMBLY - 3 SELECT (SEE FIGURE 49 FOR DETAILS)	OPT
-	3104138	SCREW #8-32 X 3/8 PHS T/C SS	-
25	4407700	PUSHER MODULE ASSEMBLY (SEE FIGURE 47 FOR DETAILS)	OPT
-	3104138	SCREW #8-32 X 3/8 PHS T/C SS	-

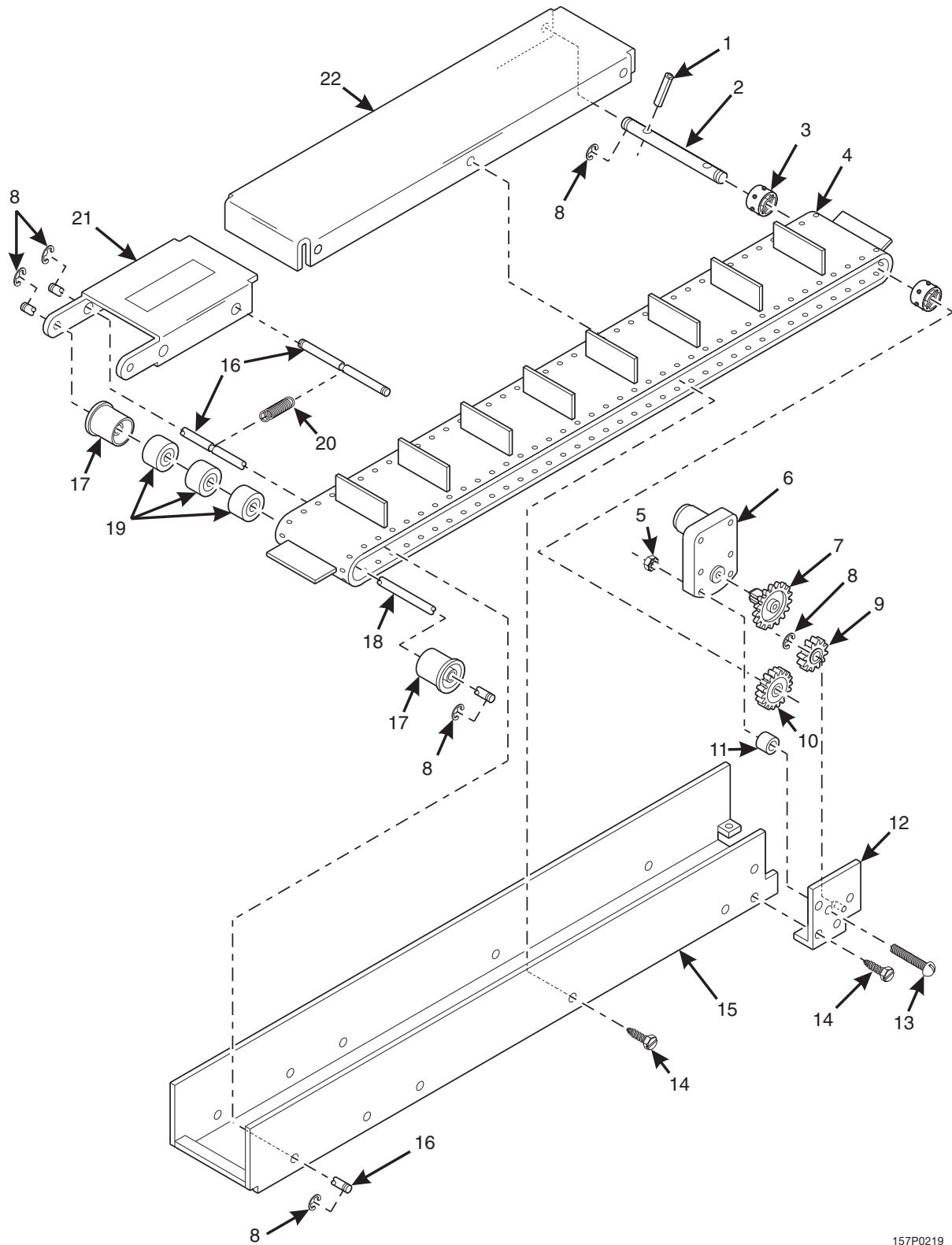


157P0217

Figure 47. Pusher Module Assembly

**TABLE 47. PUSHER MODULE ASSEMBLY**

INDEX	PART NUMBER	DESCRIPTION	QTY.
-	4407700	PUSHER MODULE ASSEMBLY	-
1	4744555	MOTOR & PCB ASSEMBLY	1
2	4402038	SCREW #8-15 X .38 STAINLESS	5
3	2342315	CLIP - WIRE HARNESS	1
4	4407502	GROMMET - 3156015 - 2.0 LONG	2
5	4407710	GEAR - EJECTOR SHAFT	1
6	5220463	ROLL PIN .093 X 7/16	2
7	4402213	SPACER - PRODUCT	1
8	4407742	SHAFT - EJECTOR	1
9	4407722	BUSHING - EJECTOR SHAFT	1
10	4407708	CAM - EJECTOR	1
11	4407739	STUD - EJECTOR - PUSHER	2
12	4407740	STUD - EJECTOR - BRACKET - LEFT	1
13	4407716	ARM - EJECTOR - LEFT	1
14	4407717	ARM - EJECTOR - RIGHT	1
15	4407735	BRACKET - EJECTOR	1
16	4407741	STUD - EJECTOR BRACKET - RIGHT	1
17	4407729	ROLLER & SHAFT ASSEMBLY - PUSHER (CONTAINS THE NEXT 3 ITEMS)	1
17	4407731	SHAFT - PUSHER MODULE	1
17	4407730	ROLLER - PUSHER MODULE	2
17	2366055	SPEED CLIP COMPRESSION RING	2
18	4407736	STOP - PACKAGE	1
19	6104429	KEPS NUT #6-32 S.S. EXT LW	2
20	4407737	KEEPER - STOP	1
21	4407738	GUIDE - PACKAGE	1
22	4402039	SCREW #6-32 X 1/4 RHS - S.S.	2
23	4402212	FRAME ASSEMBLY - PUSHER	1
24	4407707	RETAINER - GUIDE	2
25	4407713	SPRING - PUSHER	1
26	4407728	LABEL - SOLD OUT	1
27	4407714	PUSHER - PRODUCT	1
28	4407712	COUPLING - MOTOR	1
29	4407711	GEAR - DRIVE - PUSHER	1
30	4407734	BRACKET & MOTOR PANEL ASSEMBLY	1

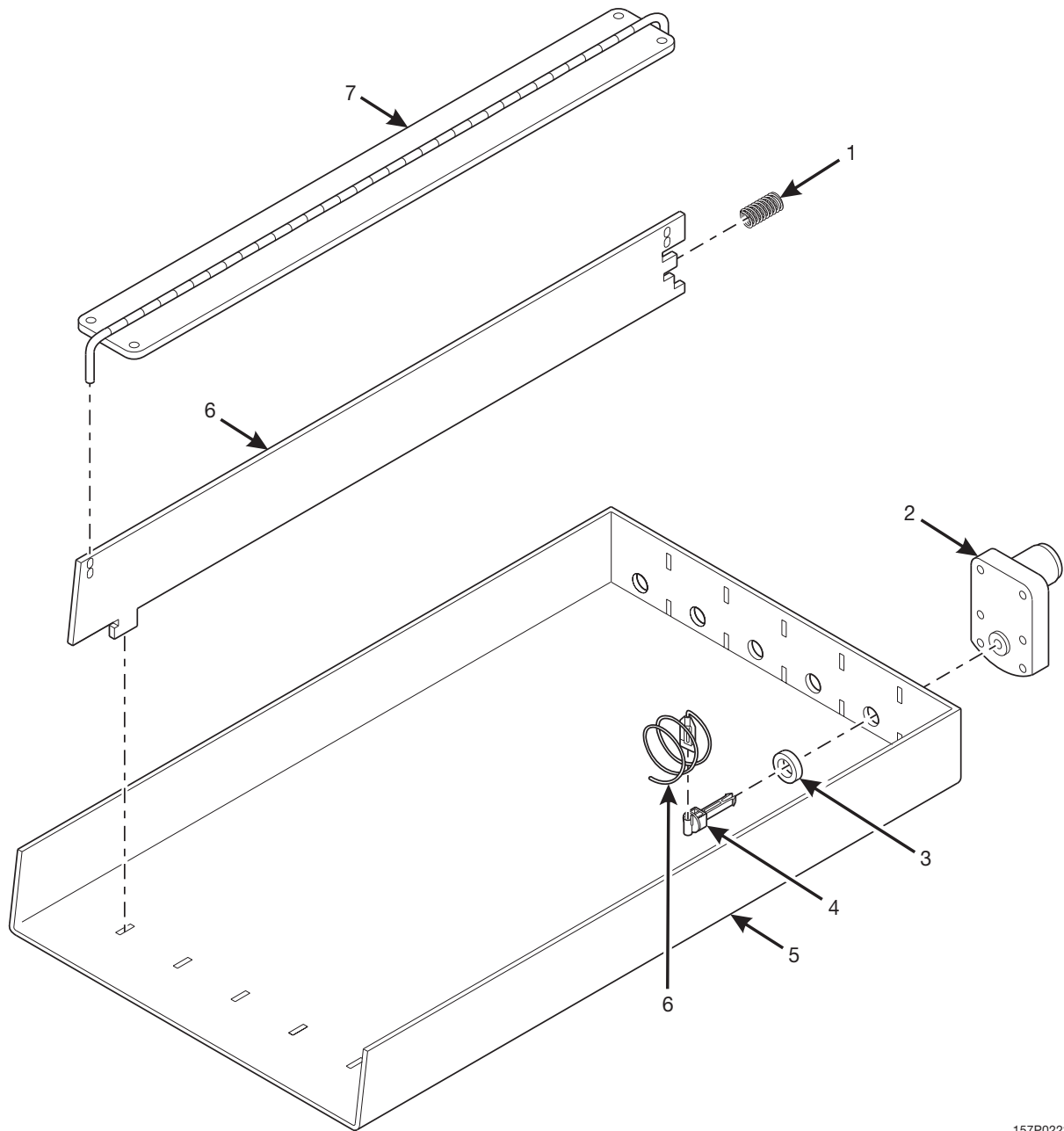


157P0219

Figure 48. Belt Module Assembly

**TABLE 48. BELT MODULE ASSEMBLY**

INDEX	PART NUMBER	DESCRIPTION	QTY.
-	4407600	BELT MODULE ASSEMBLY	-
1	6104219	ROLL PIN	2
2	4407634	SHAFT - DRIVE SPROCKET	1
3	4407619	SPROCKET - DRIVE	2
4	4407604	BELT - CONVEYOR	1
5	4402043	NUT #8-32 W/L.W. - S.S.	2
6	4744555	MOTOR & PCB ASSEMBLY	1
7	4407615	GEAR - DRIVE MOTOR	1
8	3103029	WALDES TRUARC RING	9
9	4407616	GEAR - IDLER - BELT MODULE	1
10	4407618	GEAR - BELT DRIVE	1
11	4407617	SPACER - MOTOR	2
12	4407622	BRACKET & STUD ASSEMBLY	1
13	4402036	SCREW #8-32 X 1 3/8 RHS - SS.	2
14	4402038	SCREW #8-15 X .38 STAINLESS	9
15	4407628	FRAME ASSEMBLY - BELT MODULE	1
16	4407632	SHAFT - BELT ADJUSTOR	2
17	4407611	ROLLER - BELT - OUTSIDE	2
18	4407633	SHAFT - BELT - FRONT	1
19	4407612	ROLLER - BELT - INSIDE	3
20	4407607	SPRING - BELT TENSION	1
21	4407630	SUPPORT - BELT - FRONT	1
22	4407629	SUPPORT - BELT - REAR	1



157P0223

Figure 49. Spiral Module Assembly



**TABLE 49. SPIRAL MODULE ASSEMBLY**

INDEX	PART NUMBER	DESCRIPTION	QTY.
1	4407808	SPRING - DIVIDER	2
2	4744555	MOTOR & PCB ASSEMBLY	6
3	4407803	SPACER - MOTOR	6
4	1477113	COUPLING - SPIRAL	6
5	4407842	FRAME ASSEMBLY - SPIRAL MODULE	1
6	4407844	DIVIDER - SPIRAL MODULE	2
7	4407843	SPACER - ADJUSTABLE	1

**TABLE 49 A. SPIRAL OPTIONS (FOR REFRIGERATED FOOD TRAYS)**

SPIRAL COUNT	RETAINER COLOR	RETAINER	LEFT HAND		RIGHT HAND	
			ASSEMBLY	SPIRAL	ASSEMBLY	SPIRAL
5	TAN	4407817	4407815	4407816	4407818	4407819
6	DK. GREEN	4407822	4407820	4407821	4407823	4407824
7	MAUVE	4407827	4407825	4407826	4407828	4407829
9	AQUA	4407833	4407830	4407832	4407834	4407835
12	BLACK	1477073	4407837	4407838	4407839	4407840

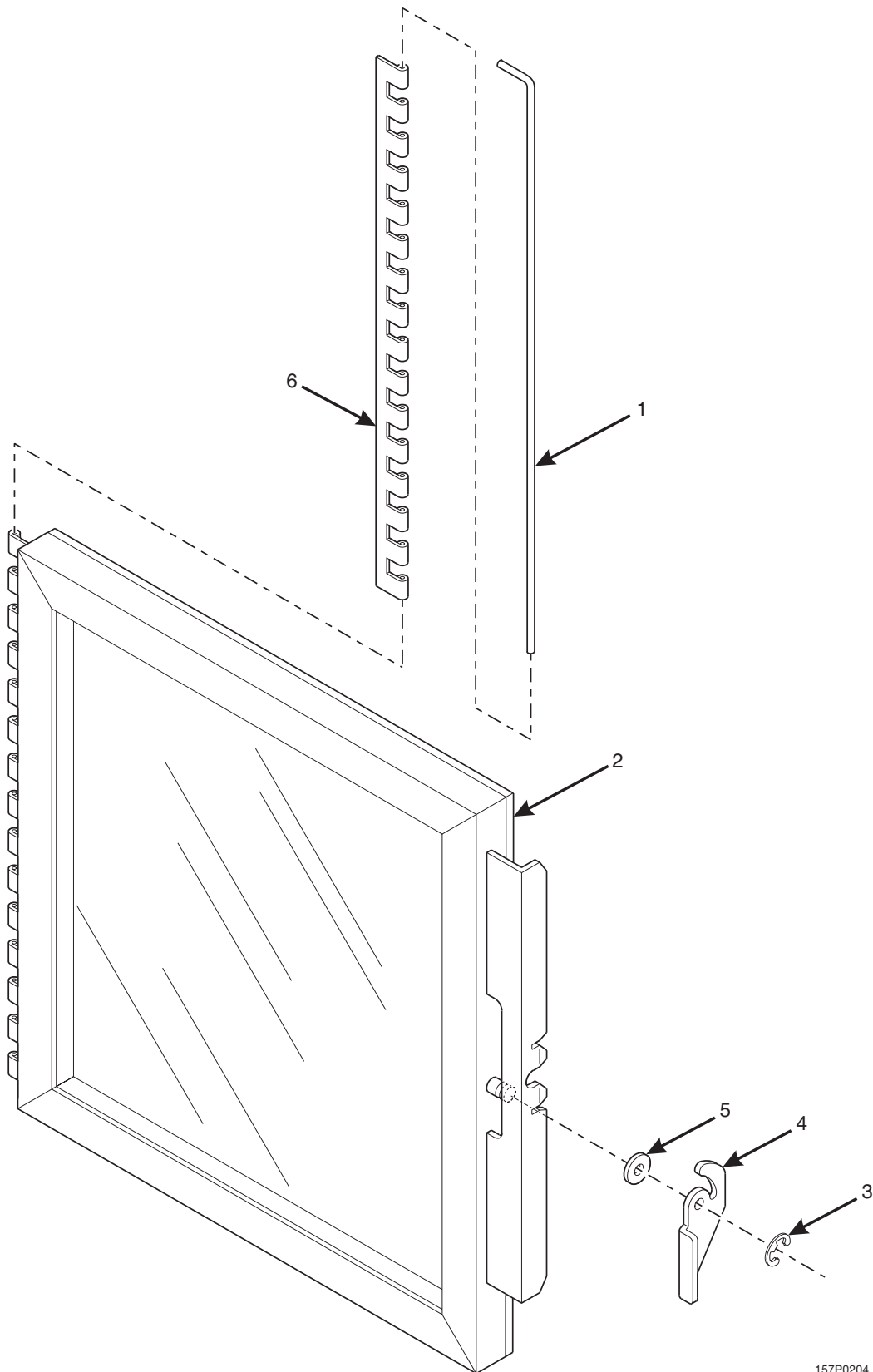
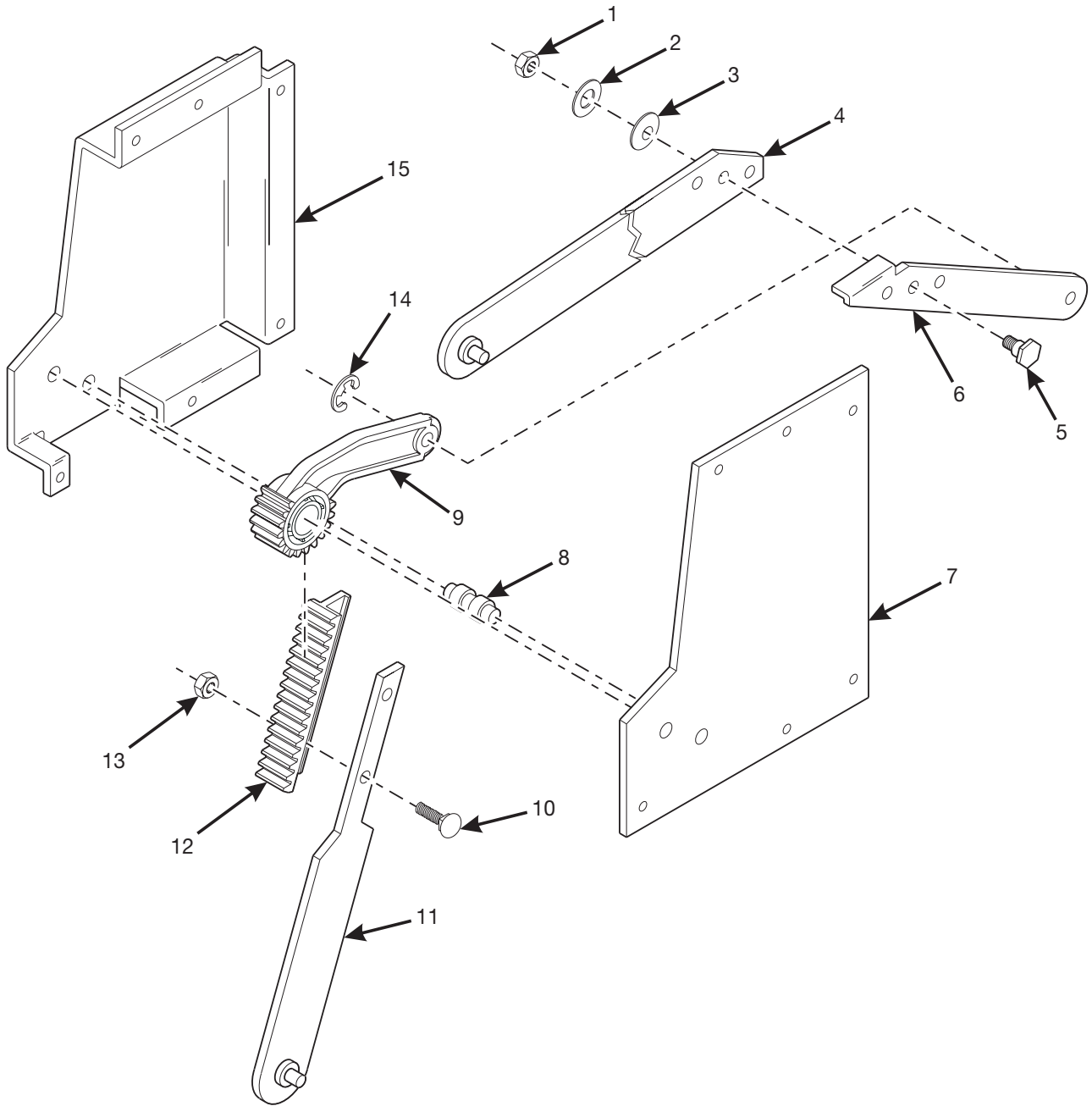


Figure 50. Door Assembly - Refrigerated Food Module

157P0204

**TABLE 50. DOOR ASSEMBLY - REFRIGERATED FOOD MODULE**

INDEX	PART NUMBER	DESCRIPTION	QTY.
-	G4747000	DOOR ASSEMBLY REFRIGERATED FOOD MODULE	-
1	4407120	PIN - HINGE	1
2	-	DOOR (NOT AVAILABLE SEPARATELY)	1
3	9900425	RETAINING RING REINF. E TYP. 250	1
4	4407160	LEVER - LATCH	1
5	5220113	SPRING WASHER .500 X .254 X .006	1
6	4407132	HINGE - FOOD MODULE DOOR	1

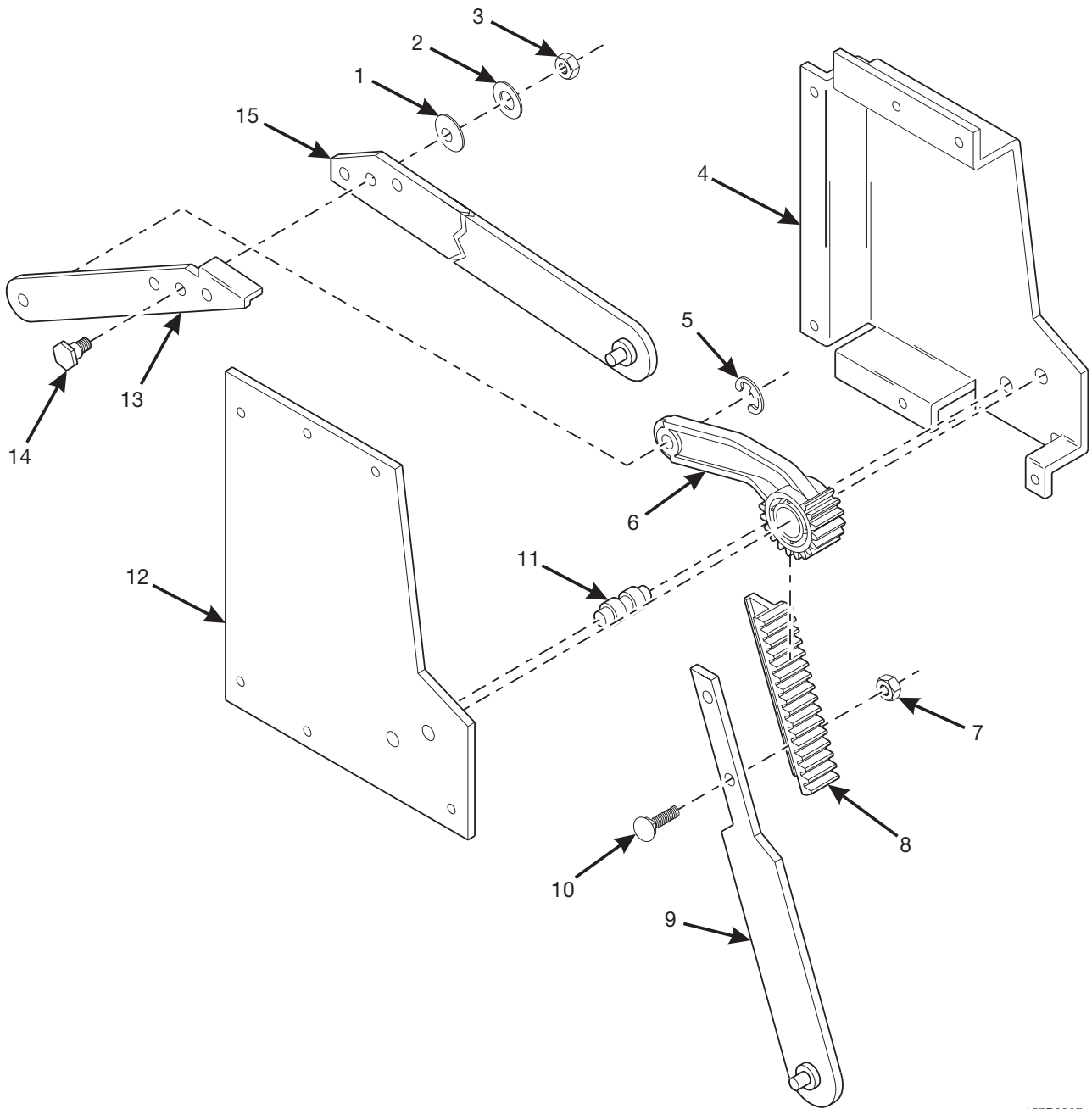


157P0206

Figure 51. Left Hand Drive Arm Assembly

**TABLE 51. LEFT HAND DRIVE ARM ASSEMBLY**

INDEX	PART NUMBER	DESCRIPTION	QTY.
-	4407069	DRIVE ARM ASSEMBLY - R.H.	1
1	2202109	SPRING WASHER	1
2	5202012	SPACER EXTENSION BAR	1
3	1412046	8-32 NUT MF 23TW832 BLOX	1
4	4407134	COVER - TOGGLE - R.H.	1
5	9900425	RETIANING RING REINF E TYP. 250	1
6	4975011	ARM - TOGGLE	1
7	9900072	NUT #8-32 SELF-LOCKING	2
8	4407066	RACK - DRIVE	1
9	4407067	DRIVE RACK ARM ASSEMBLY	1
10	1306140	8-32 X 3/8 CARRIAGE BOLT BLK/OX	2
11	4407055	ROLLER - DRIVE RACK	1
12	4407070	PLATE - TOGGLE - R.H.	1
13	4407074	FRAME DRIVE ARM ASSEMBLY	1
14	4407058	PIVOT - FRAME DRIVE ARM	1
15	4407139	ARM - LONG - DOOR FRAME - R.H. - PAINTED	1



157P0207

Figure 52. Right Hand Drive Arm Assembly

**TABLE 52. RIGHT HAND DRIVE ARM ASSEMBLY**

INDEX	PART NUMBER	DESCRIPTION	QTY.
-	4407069	DRIVE ARM ASSEMBLY - R.H.	1
1	2202109	SPRING WASHER	1
2	5202012	SPACER EXTENSION BAR	1
3	1412046	8-32 NUT MF 23TW832 BLOX	1
4	4407134	COVER - TOGGLE - R.H.	1
5	9900425	RETIANING RING REINF E TYP. 250	1
6	4975011	ARM - TOGGLE	1
7	9900072	NUT #8-32 SELF-LOCKING	2
8	4407066	RACK - DRIVE	1
9	4407067	DRIVE RACK ARM ASSEMBLY	1
10	1306140	8-32 X 3/8 CARRIAGE BOLT BLK/OX	2
11	4407055	ROLLER - DRIVE RACK	1
12	4407070	PLATE - TOGGLE - R.H.	1
13	4407074	FRAME DRIVE ARM ASSEMBLY	1
14	4407058	PIVOT - FRAME DRIVE ARM	1
15	4407139	ARM - LONG - DOOR FRAME - R.H. - PAINTED	1

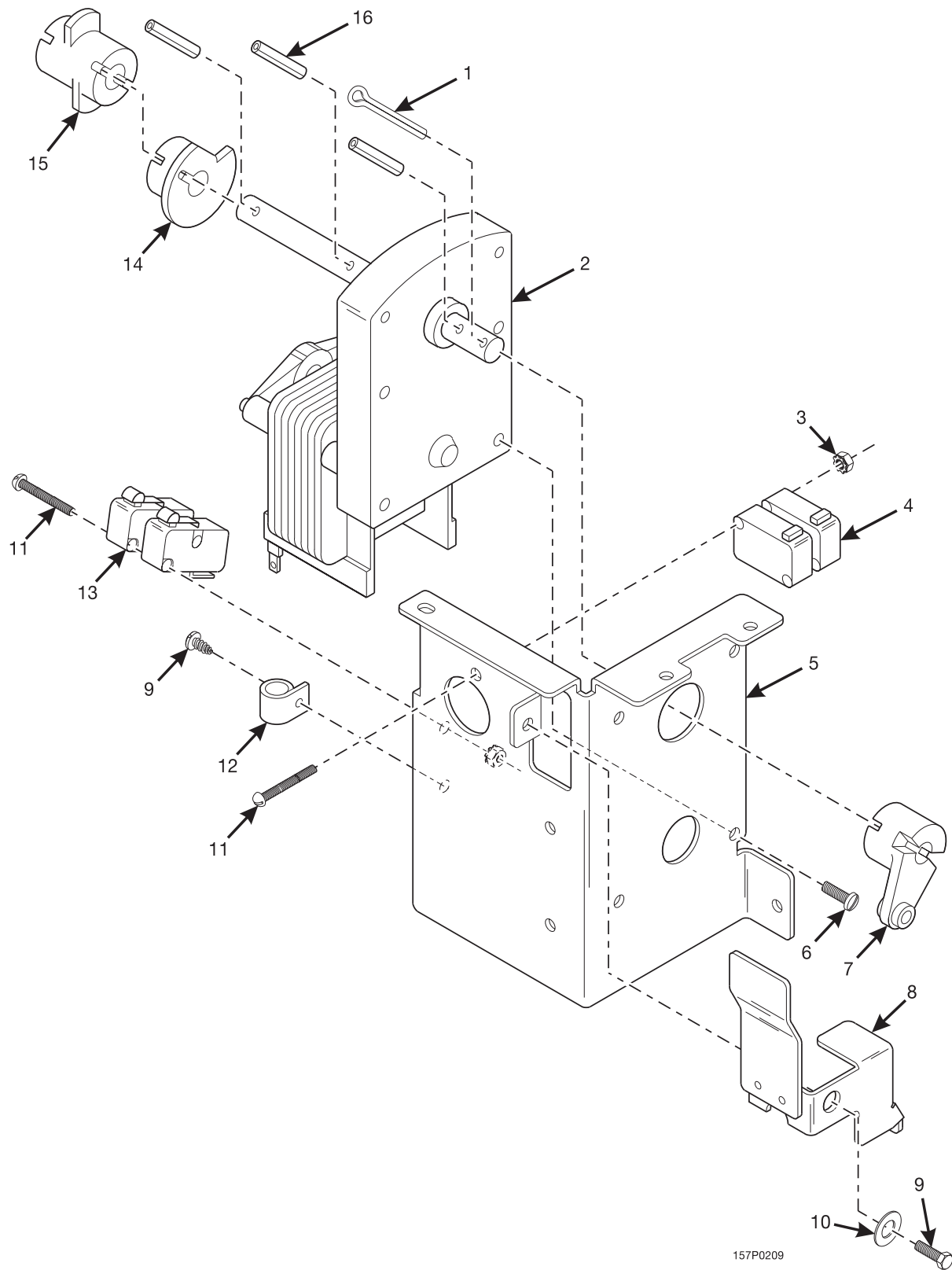


Figure 53. Motor Mounting Bracket Assembly



**TABLE 53. MOTOR MOUNTING BRACKET ASSEMBLY**

INDEX	PART NUMBER	DESCRIPTION	QTY.
-	4407077	MOTOR MOUNTING BRACKET ASSEMBLY - 110V	1
1	9900098	COTTER PIN - 3/32 X 3/4 IN.	1
2	4407157	MOTOR - FOOD MODULE (110V)	1
2	4847003	MOTOR - FOOD MODULE (230V)	1
3	1217159	4-40 KEPS W/EXT L/WAS H ZP	4
4	9984632	SWITCH - BASIC	2
5	4407131	MOUNTING BRACKET - MOTOR	1
6	9900023	SCREW - #8-32 X .37 PHS W/LW	4
7	4407079	ARM - DRIVE	1
8	4407084	ACTUATOR ASSEMBLY - H.C. SWITCH	1
9	1451097	SCREW - #8-32 X .31 HEX HD. TF - BLK	2
10	2228011	SPACER RELEASE ARM	1
11	5201086	SCREW #4-40 X 1 RHS	4
12	1452139	RETAINER - HARNESS	1
13	9984634	SWITCH ROLLER LEVER	2
14	4407093	CAM - H.C. SWITCH OVERRIDE	1
15	4407080	COUPLING - MOTOR & DRIVE SHAFT	1
16	3127034	ROLL PIN 1/8 X 13/16	3

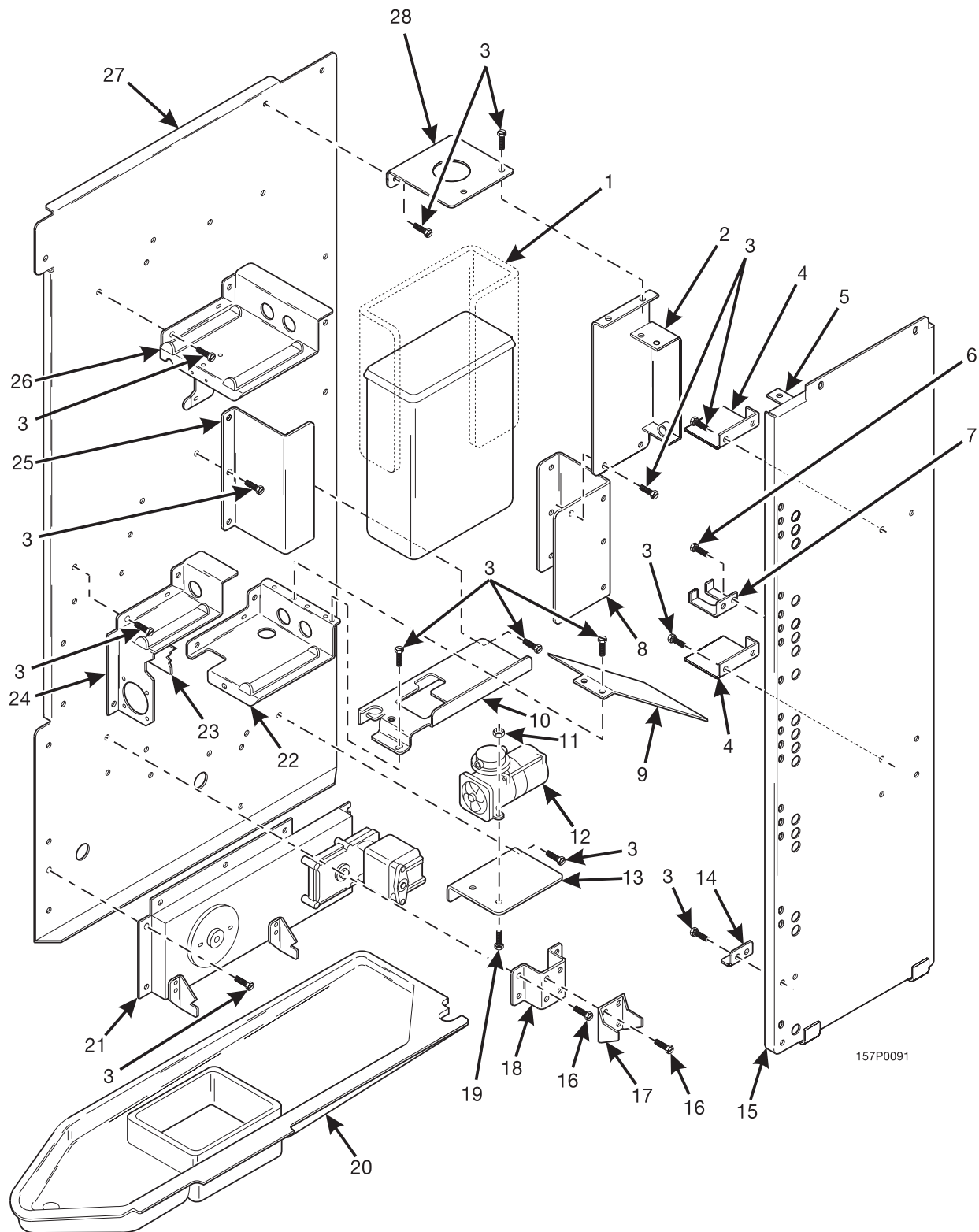


Figure 54. Hot Drink Module

**TABLE 54. HOT DRINK MODULE**

INDEX	PART NUMBER	DESCRIPTION	QTY.
1	4731078	INSULATION-WATER TANK	1
2	4781003	COUPLING & BRACKET ASSEMBLY	REF
3	3157060	SCREW-#8-32 X .31 HEX W/ HD. SLOTTED-T/F-ZINC PL	52
4	4731017	SUPPORT-SHELVES	2
5	4751071	ANGLE-SUPPORT-LINER	1
-	1451097	SCREW-#8-32X.31 HEX HD.TF-BLK.	10
6	9900106	SCREW #8-32 X 3/8 ACORN HEX HD S/TA	2
7	6111056	BRACKET SPRAY HOSE MOUNTING (OPTIONAL)	1
8	4731120	RETAINER-TANK-REAR	1
9	4731077	SHIELD-WATER	1
10	4751021	SHELF-WATER TANK	1
11	9900081	NUT - #8-32 KEPS - ZINC PLATE	2
12	6154280	COMPRESSOR ASSEMBLY - AIR	1
13	4731074	BRACKET - COMPRESSOR	1
14	4751072	BRACKET-LATCH	1
15	4851069	LINER ASSEMBLY-L.H.-FD	1
16	1141046	SCREW #10-32 X 3/8, ACORN, HEX W/HD	3
17	6504209	HANGER - BREWER	1
18	4731080	BRACKET - BREWER HANGER	1
19	9900115	SCREW - #8-32 X 3/4 RHS	2
20	4781005	TRAY-CENTER PAN	1
21	4731282	DRIVE ASSEMBLY - BREWER (SEE FIGURE 65 FOR DETAILS)	1
22	4751033	SHELF ASSEMBLY - COFFEE (SEE FIGURE 55 FOR DETAILS)	1
23	4751073	BRACKET AND CONTROL ASSEMBLY	1
24	4751064	SHELF ASSEMBLY - CHOCOLATE (SEE FIGURE 56 FOR DETAILS)	1
25	4761095	RETAINER - TANK	1
26	-	DRY INGREDIENT SYSTEM (SEE FIGURE 59 FOR DETAILS)	-
27	4751264	PANEL-COFFEE MODULE	1
28	4731346	BLOWER & MOUNTING ASSEMBLY - 115 V (SEE FIGURE 64 FOR DETAILS)	1
-	6204216	BREWER ASSEMBLY - NO FILTER (NOT SHOWN)	1
-	4851067	LINER AND BRACKET ASSEMBLY - L.H. (NOT SHOWN) (INCLUDES INDEX NUMBERS 4, 5, 14, 15)	-
-	4731180	BRACKET AND HANGER ASSEMBLY (NOT SHOWN) (INCLUDES INDEX NUMBERS 16, 17, 18)	-

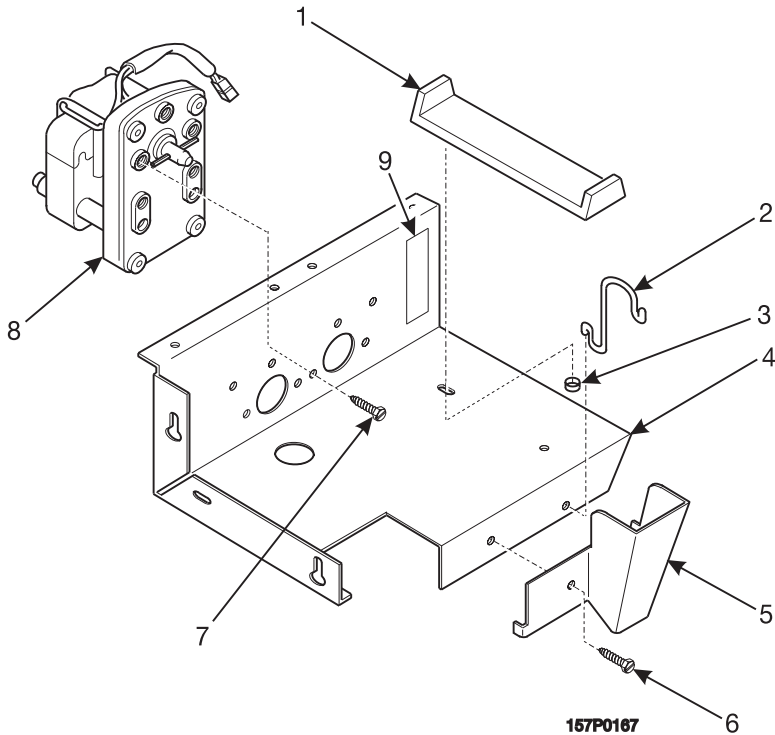


Figure 55. Fresh Brew Coffee Shelf Assembly

**TABLE 55. FRESH BREW COFFEE SHELF ASSEMBLY**

INDEX	PART NUMBER	DESCRIPTION	QTY.
-	4751033	COFFEE SHELF ASSEMBLY	1
1	6157037	LOCATOR - CANISTER	1
2	6207003	RETAINER - CANISTER - R.H.	1
3	2366055	SPEED CLIP - COMPRESSION RING	2
4	4751022	SHELF - CANISTER - COFFEE	1
5	4751035	CHUTE - COFFEE	1
6	1451097	SCREW - #8-32X.31 HEX HD.TF - BLK.	1
7	9900138	SCREW #8-32 X 1/4 PHS W/LKW	3
8	4731059	MOTOR - 200 RPM	1
9	6187007	LABEL - COFFEE	1

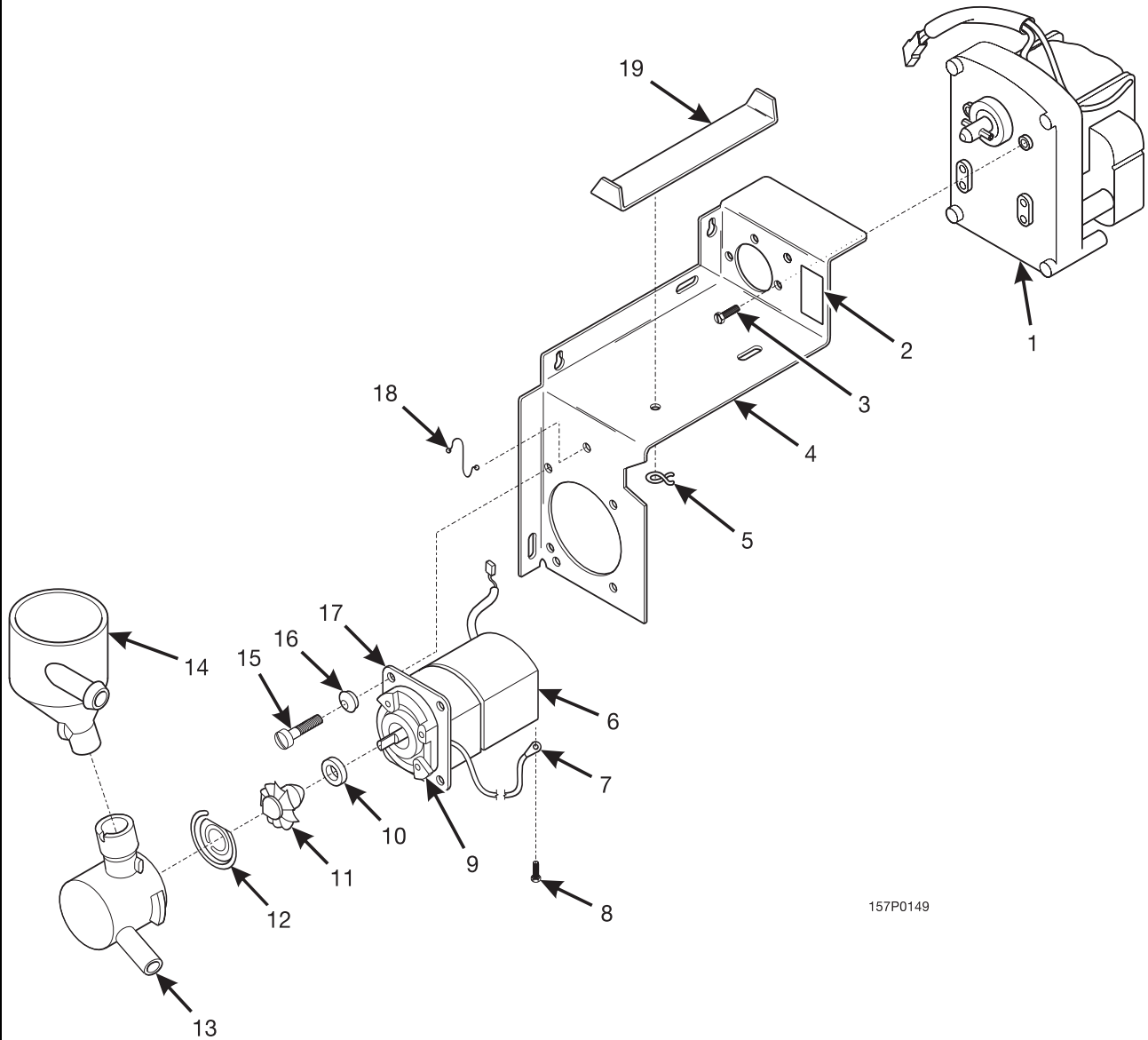


Figure 56. Fresh Brew Chocolate Shelf Assembly

**TABLE 56. FRESH BREW CHOCOLATE SHELF ASSEMBLY**

INDEX	PART NUMBER	DESCRIPTION	QTY.
-	4751064	SHELF ASSEMBLY - CHOCOLATE	-
1	4731059	MOTOR ASSEMBLY - 200 RPM	1
2	6137074	LABEL - CHOCOLATE	1
3	9900138	SCREW #8 - 32 X 1/4 PHS W/LKW	3
4	4751056	SHELF - CANISTER - CHOCOLATE	1
5	2366055	SPEED CLIP - COMPRESSION RING	2
6	6107185	MOTOR ASSEMBLY - CHOCOLATE WHIPPER	1
7	9984165	JUMPER - GROUND WIRE	1
8	3157060	SCREW - #8 - 32 X .31 HEX W/ HD. SLOTTED - T/F	1
9	6107191	MOUNTING PLATE - IMPELLER HOUSING ASSEMBLY	1
-	6107244	SCREW #6 - 32 X 9/16 PHS W/LW (ATTACHING PART FOR INDEX NUMBER 9)	4
10	6107194	BUSHING - SEAL	1
11	6107197	IMPELLER	1
12	6107198	THRUST SPRING ASSEMBLY	1
13	6107195	HOUSING - IMPELLER	1
14	6137114	FUNNEL	1
15	6157057	SCREW - SHOULDER	4
16	2302223	GROMMET - 3/16	4
17	6157055	PLATE ASSEMBLY - MTG - WHIPPER MOTOR	1
-	6107241	SCREW #8 - 32 X 5/16 PHS W/LW SS (ATTACHING PART FOR INDEX NUMBER 17)	4
18	6207003	RETAINER - CANISTER - R.H.	1
19	3617032	CANISTER LOCATOR	1

**THE FOLLOWING IS AVAILABLE AS AN ASSEMBLY:**

PART NUMBER	DESCRIPTION
6157054	MOTOR & PLATE ASSEMBLY - CHOCOLATE WHIPPER (CONSISTS OF INDEX NUMBERS 6, 7, 9, 16, 17, AND ATTACHING PARTS)

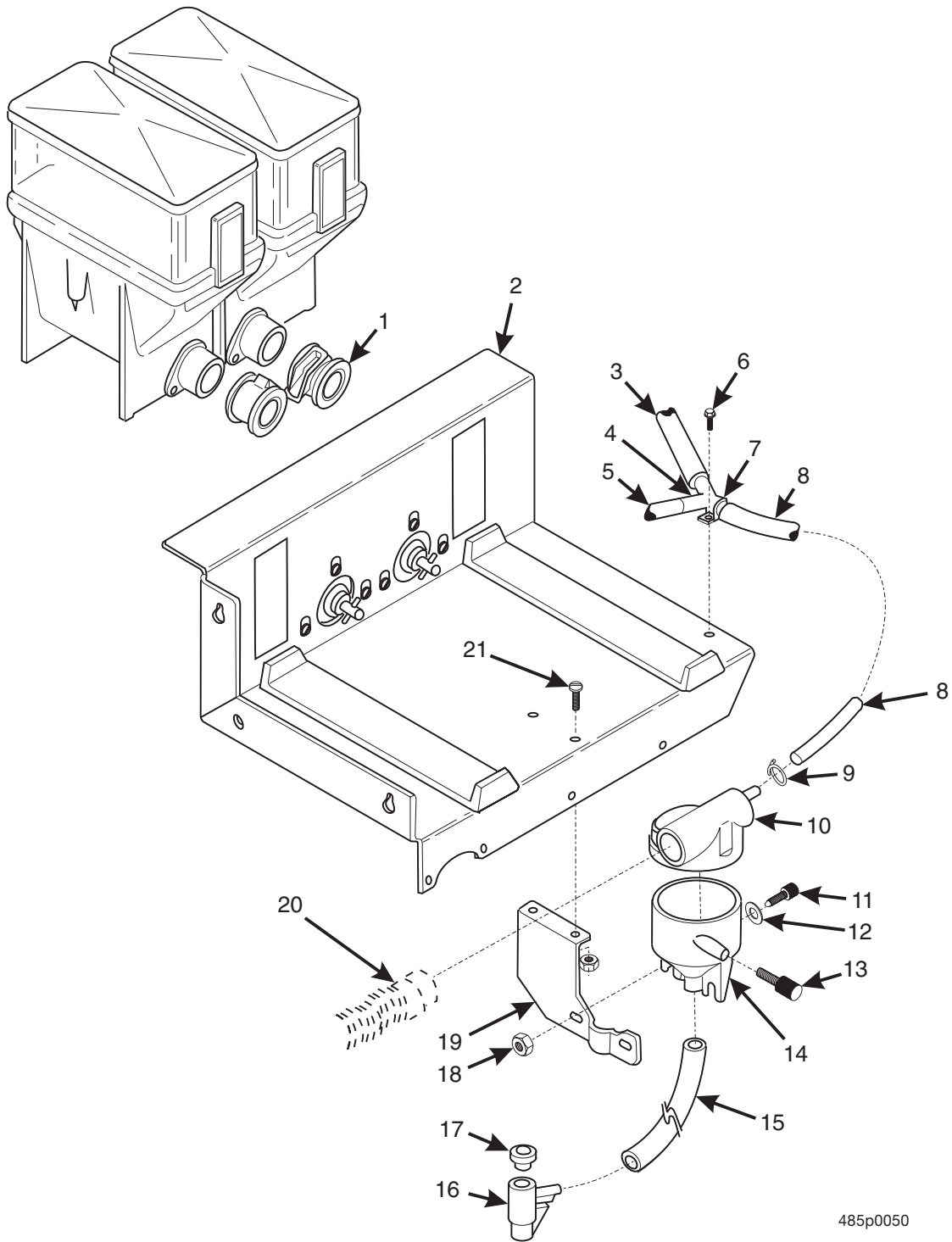


Figure 57. Sugar/Lightener Dispensing System (Without Coffee Whipper)

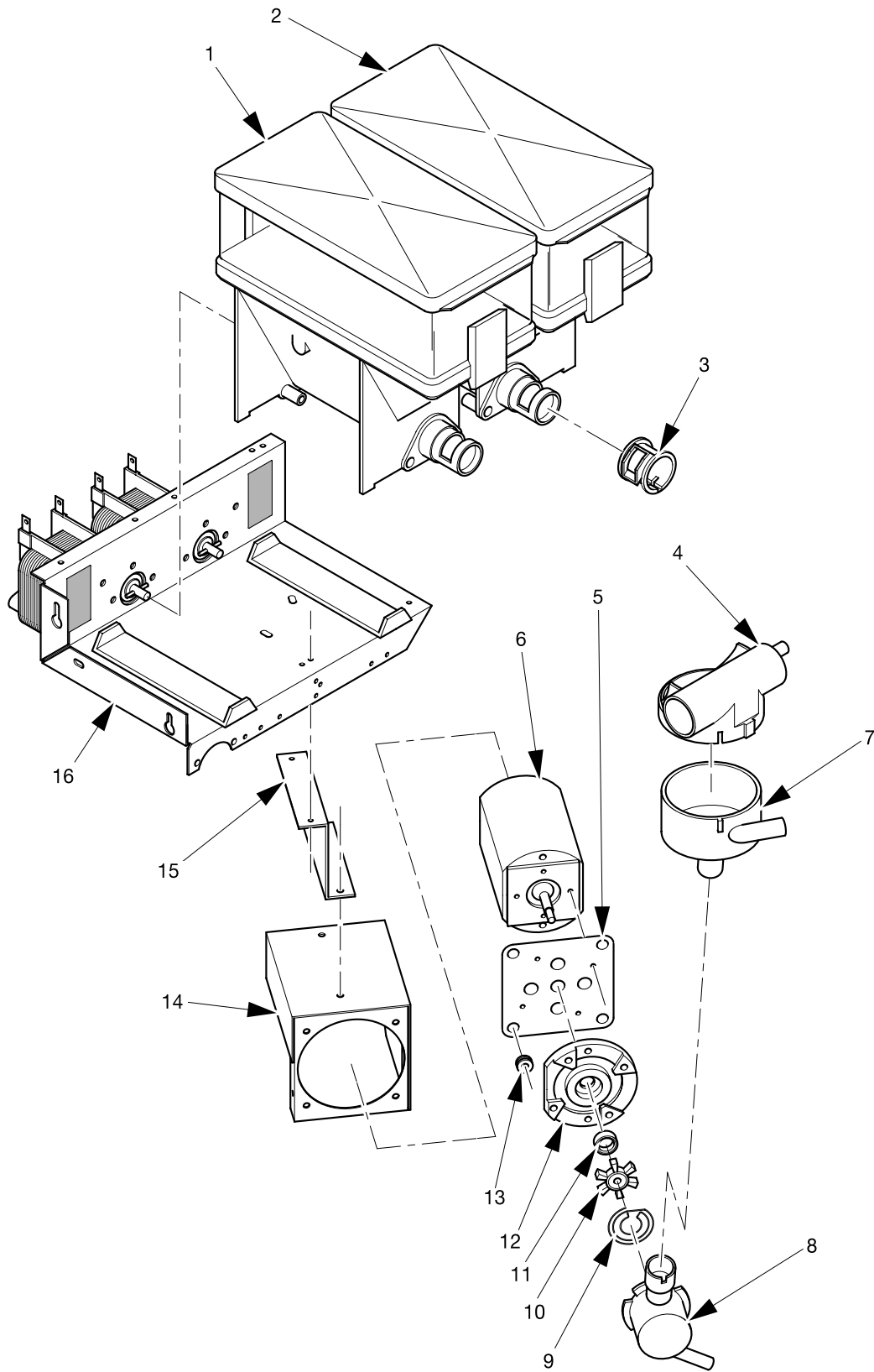


**TABLE 57. SUGAR/LIGHTENER DISPENSING SYSTEM (WITHOUT COFFEE WHIPPER)**

INDEX	PART NUMBER	DESCRIPTION	QTY.
1	6157002	NOZZLE - CHUTE	2
2	4751062	DRY INGREDIENTS SHELF ASSEMBLY	1
3	4731203	TUBE - .75 O.D.X .50 I.D.X 32"	1
4	6158073	RESTRICTOR & "Y" ASSEMBLY	1
5	4731204	TUBE - .44 O.D.X.25 I.D.X 32.5" - 6208037	1
6	1451097	SCREW - #8-32X.31 HEX HD.TF - BLK.	1
7	3106144	CABLE CLAMP RICHCO#N9B	1
8	6124109	TUBE - .38 I.D.X.56 O.D.X 5" - 6338021	1
9	6111054	CLAMP - HOSE 19/32	1
10	3617033	VENT ASSEMBLY	1
11	2206028	THUMB SCREW - SIDEWALL	2
12	6114121	WASHER - ROLLER	2
13	6134192	PLUG - BREWER MANIFOLD	1
14	6187001	MIXING BOWL - COFFEE	1
15	4731064	TUBE - 6338021 - 24.0"	1
16	6117010	SPOUT - DISPENSING	1
17	4711020	CAPLUG - SPOUT - NATR'L	1
18	9900081	NUT #8-32 KEPS ZINC PLATE	2
19	4751027	BRACKET - MOUNTING - BOWL	1
20	6157031	HOSE ASSEMBLY - EXHAUST - 28	
21	1217161	SCREW #8-32 X 1/2 RHS	2
22	4751061	LIGHTENER CANISTER ASSEMBLY (SEE FIGURE 63 FOR DETAILS)	1
23	4731129	SUGAR CANISTER ASSEMBLY (SEE FIGURE 62 FOR DETAILS)	1

**THE FOLLOWING ARE AVAILABLE AS ASSEMBLIES:**

4731208	"Y" ASSEMBLY (CONSISTS OF INDEX NUMBERS 3 - 5, 8)
4731322	MIXING BOWL & BRACKET ASSEMBLY (CONSISTS OF INDEX NUMBERS 10 - 19)

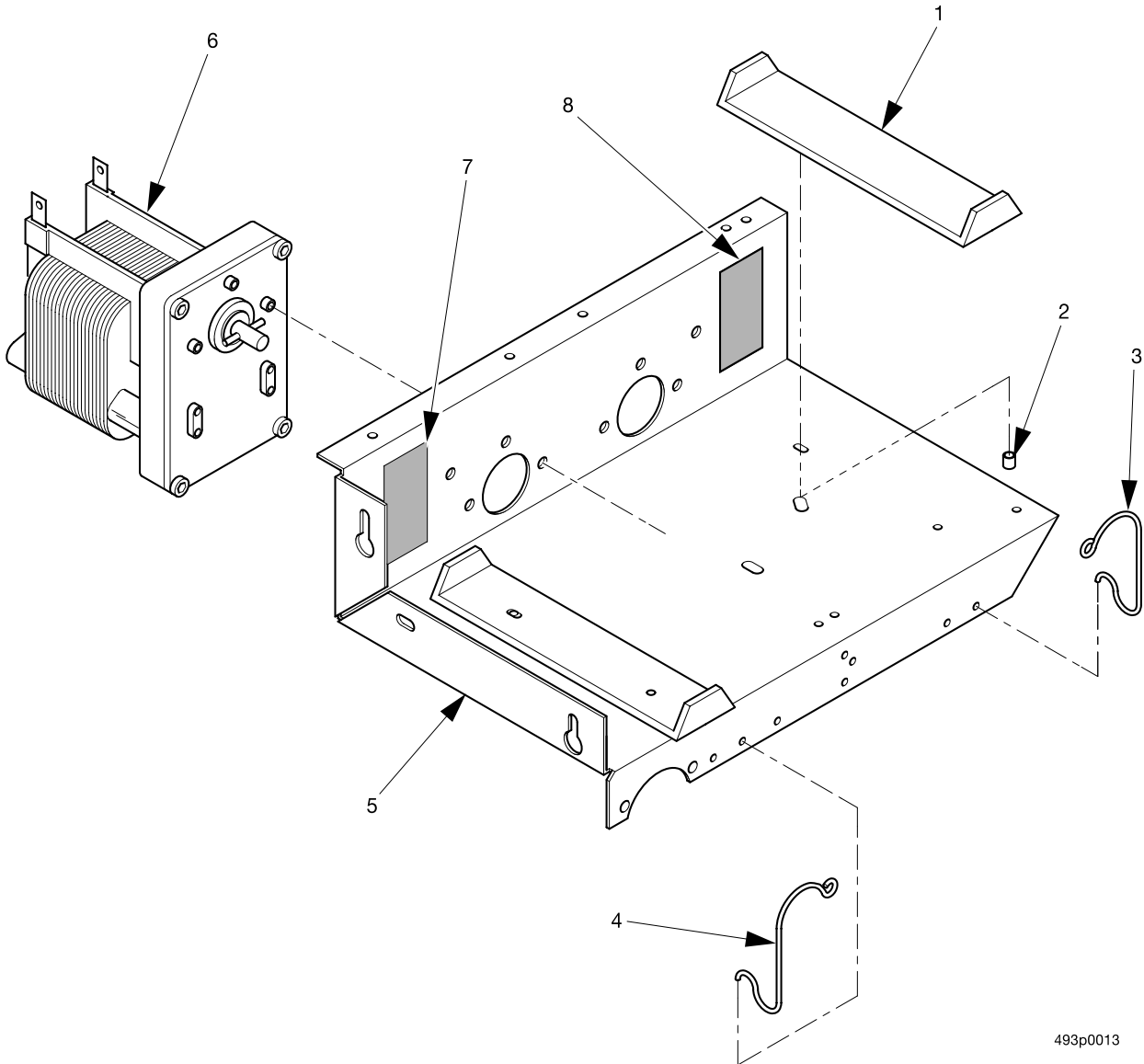


485p0051

Figure 58. Sugar and Lightener Dispensing System (With Coffee Whipper)

**TABLE 58. SUGAR AND LIGHTENER DISPENSING SYSTEM (WITH COFFEE WHIPPER)**

INDEX	PART NUMBER	DESCRIPTION	QTY.
1	4751061	LIGHTENER CANISTER ASSEMBLY (SEE FIGURE 63 FOR DETAILS)	1
2	4731129	SUGAR CANISTER ASSEMBLY (SEE FIGURE 62 FOR DETAILS)	1
3	6157002	NOZZLE - CHUTE	2
4	4751106	VENT ASSEMBLY - GER/FR	1
5	6157055	PLATE ASSEMBLY - MOUNTING - WHIPPER MOTOR	1
6	6107185	MOTOR ASSEMBLY - CHOCOLATE WHIPPER	1
7	4751104	BOWL - MIXING - COFFEE - GER/FR	1
8	6107195	HOUSING - IMPELLER	1
9	6107198	THRUST SPRING ASSEMBLY	1
10	6107197	IMPELLER	1
11	6107194	BUSHING - SEAL	1
12	3617025	PLATE AND SEAL ASSEMBLY	1
13	2302223	GROMMET - 3/16	4
14	4751100	MOUNTING ASSEMBLY - WHIPPER - GER/FR	1
15	4751103	BRACKET - WHIPPER ASSEMBLY - GER/FR	1
16	4751126	DRY INGREDIENTS SHELF ASSEMBLY (SEE FIGURE 59 FOR DETAILS)	1
-	6107241	SCREW - #8-32 X 5/16 PHS W/LW - SS (USED TO SECURE INDEX #10 TO INDEX #8)	4

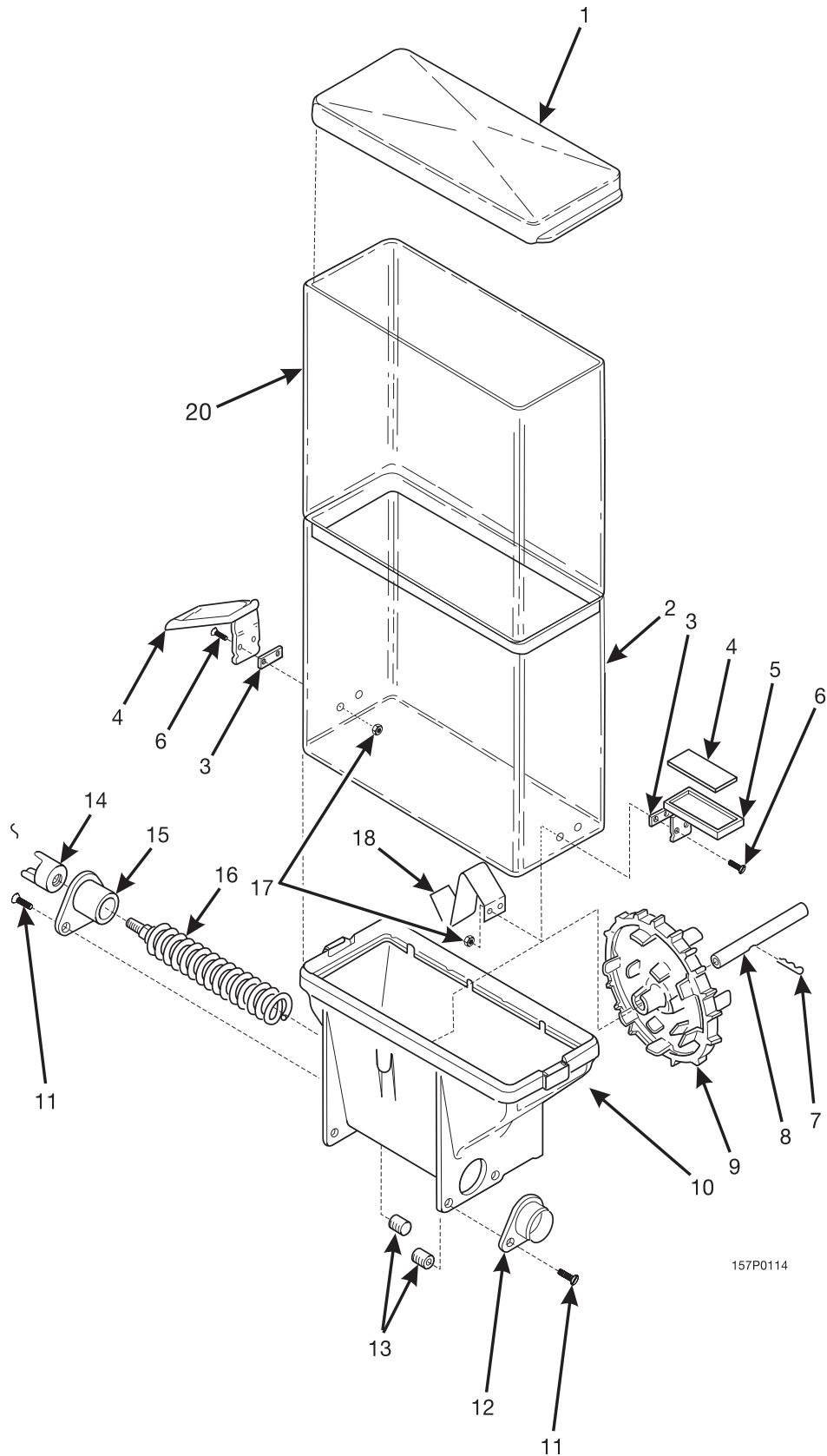


493p0013

Figure 59. Dry Ingredient (Sugar/Lightener) Shelf Assembly

**TABLE 59. DRY INGREDIENT (SUGAR/LIGHTENER) SHELF ASSEMBLY**

INDEX	PART NUMBER	DESCRIPTION	QTY.
-	4751226	DRY INGREDIENTS SHELF ASSEMBLY (485/488) (INCLUDES INDEX NUMBERS 1-3, 10-13)	1
	4761034	DRY INGREDIENTS SHELF ASSEMBLY (486 /489) (INCLUDES INDEX NUMBERS 1-3, 5-8, 10-13)	
1	6157037	LOCATOR - CANISTER	2
2	2366055	SPEED CLIP - COMPRESSION RING	4
3	6207004	RETAINER - CANISTER - L.H.	1
4	6207003	RETAINER - CANISTER - R.H.	1
5	4751098	SHELF - CANISTER	1
6	4731059	MOTOR - 200 RPM	2
7	6137077	LABEL - LIGHTENER	1
8	6137076	LABEL - SUGAR	1



157P0114

Figure 60. Fresh Brew Coffee Canister Assembly

**TABLE 60. FRESH BREW COFFEE CANISTER ASSEMBLY**

INDEX	PART NUMBER	DESCRIPTION	QTY.
-	4751128	CANISTER ASSEMBLY - COFFEE - FRESH BREW - GER/FR	-
1	6137030	LID - CANISTER	1
2	6157016	TUBE - CANISTER - 10 IN	1
	6197007	TUBE - CANISTER - 7"	
3	6137023	SPACER - CANISTER LATCH	2
4	6187007	LABEL - COFFEE	1
5	9984547	DRAW CATCH 07-0-201-12	2
6	6137099	SCREW #6-32 X 9/16 FLAT HEAD	4
7	6134030	PIN - HITCH WW CLIP #22 TYPE 302 SS	1
8	6137038	TUBE - MIXING WHEEL	1
9	6137024	MIXING WHEEL	1
10	6137004	CANISTER BASE - TEA & LIGHTENER	1
11	9900027	SCREW #8-32 X 1/2 FHS	4
12	6154261	SPOUT	1
13	9900214	NUT - KNURL - CANISTER	4
14	6107041	AUGER - DRIVE COUPLING	1
15	6137035	BEARING - DISPENSING	1
16	6204513	AUGER & SHAFT ASSEMBLY	1
17	6137100	NUT - ACORN #6-32	4
18	6207540	AGITATOR - CANISTER - LONG	1

**THE FOLLOWING ARE AVAILABLE AS ASSEMBLIES:**

4751129	TUBE ASSEMBLY - CANISTER - 7" - GER/FR (CONSISTS OF INDEX NUMBERS 2, 3, 5, 6, 18, 18)
6204512	AUGER ASSEMBLY (CONSISTS OF INDEX NUMBERS 14 - 16)
6207539	TUBE ASSEMBLY - CANISTER - CHOC/SOUP

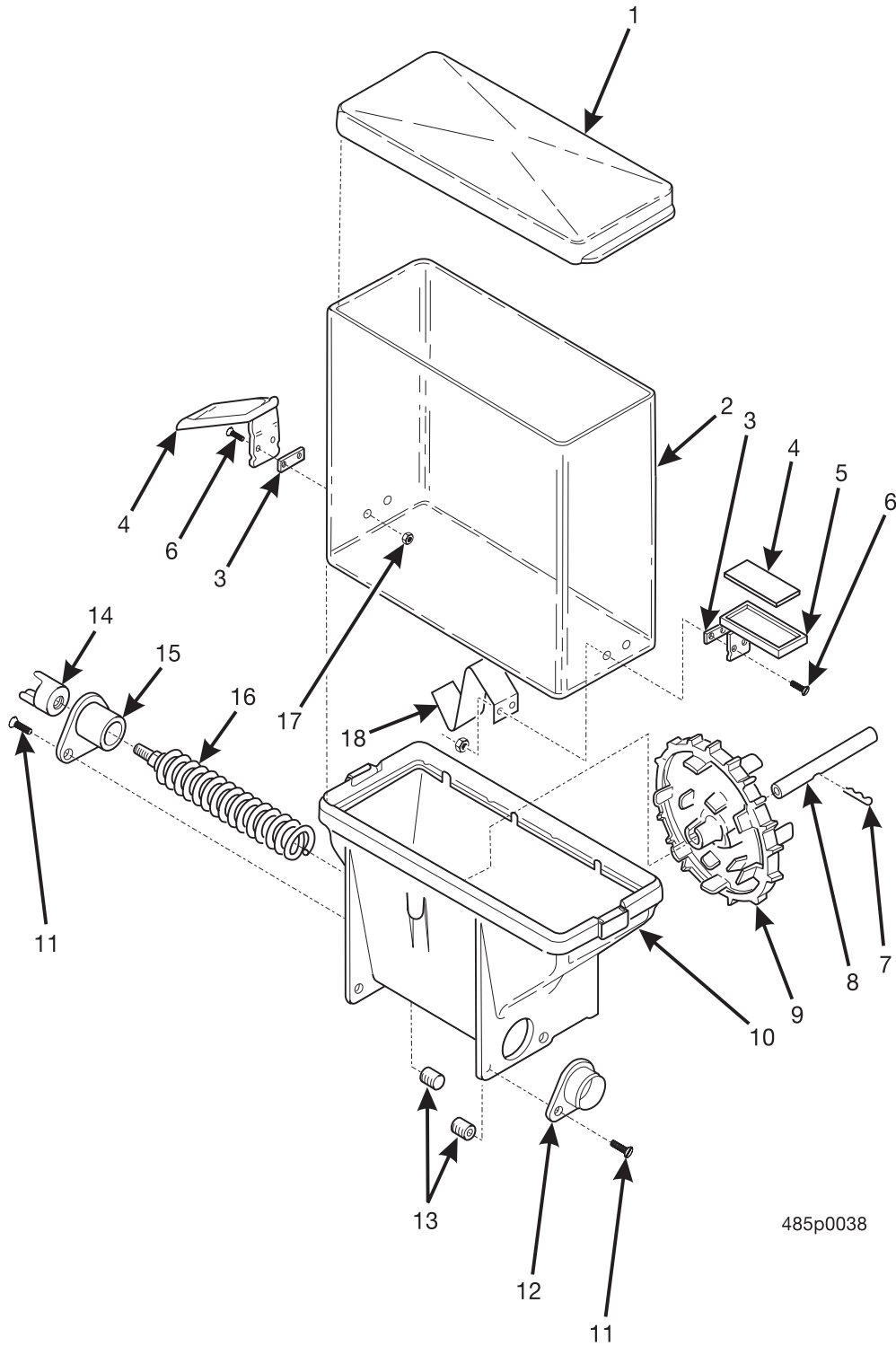


Figure 61. Chocolate Canister Assembly



**TABLE 61. CHOCOLATE CANISTER ASSEMBLY**

INDEX	PART NUMBER	DESCRIPTION	QTY.
-	4731311	CANISTER ASSEMBLY - CHOCOLATE	-
1	6137030	LID CANISTER	1
2	6157026	TUBE - CANISTER - 5 IN	1
3	6137023	SPACER - CANISTER LATCH	2
4	6137074	LABEL - CHOCOLATE	1
5	9984547	DRAW CATCH 07-11-20-1-12	2
6	6137099	SCREW #6-32 X 9/16 FLAT HEAD	4
7	6134030	PIN - HITCH WW CLIP #22 TYPE 302 SS	1
8	6137038	TUBE - MIXING WHEEL	1
9	6137024	MIXING WHEEL	1
10	6137005	CANISTER BASE - SUGAR & CHOCOLATE	1
11	9900027	SCREW #8-32 X 1/2 FHS	4
12	6137034	SPOUT - SOUP DISPENSING	1
13	9900214	NUT - KNURL - CANISTER	4
14	6107041	AUGER - DRIVE COUPLING	1
15	6137035	BEARING - DISPENSING	1
16	6204513	AUGER & SHAFT ASSEMBLY	1
17	6137100	NUT - ACORN #6-32	4
18	6137101	AGITATOR - CANISTER	1

**THE FOLLOWING ARE AVAILABLE AS ASSEMBLIES**

6157029	TUBE ASSEMBLY - CANISTER - 5 INCH (CONSISTS OF INDEX NUMBERS 2, 3, 5, 6, 17, 18)
6204512	AUGER ASSEMBLY (CONSISTS OF INDEX NUMBERS 14 - 16)

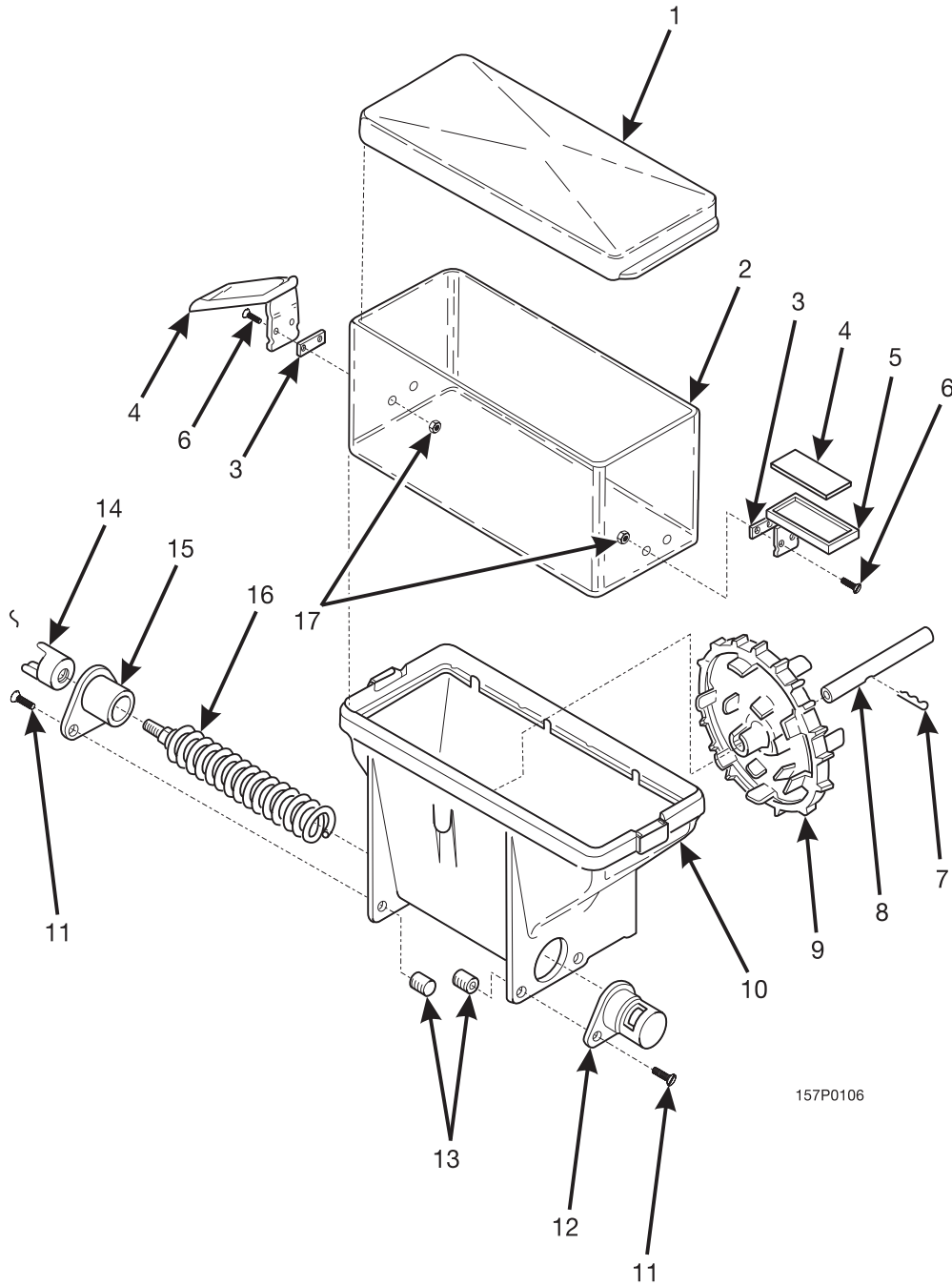


Figure 62. Sugar Canister Assembly

**TABLE 62. SUGAR CANISTER ASSEMBLY**

INDEX	PART NUMBER	DESCRIPTION	QTY.
-	4731129	CANISTER ASSEMBLY - SUGAR	REF
1	6137030	LID - CANISTER	1
2	4731128	TUBE - 3"CANISTER	1
3	6137023	SPACER - CANISTER LATCH	2
4	6137076	LABEL - SUGAR	1
5	9984547	DRAW CATCH 07-11-20-1-12	2
6	6137099	SCREW #6-32 X 9/16 FLAT HEAD	4
7	6134030	PIN - HITCH WW CLIP #22 TYPE 302 SS	1
8	6137038	TUBE - MIXING WHEEL	1
9	6137024	MIXING WHEEL	1
10	6137004	CANISTER BASE - TEA & LIGHTENER	1
11	9900027	SCREW #8-32 X 1/2 FHS	4
12	6157019	SPOUT - DISPENSING CHUTE	1
13	9900214	NUT - KNURL - CANISTER	4
14	6107041	AUGER DRIVE COUPLING	1
15	6137035	BEARING - DISPENSING	1
16	6137131	AUGER & SHAFT ASSEMBLY	1
17	6137100	NUT - ACORN #6-32	4
<b>THE FOLLOWING ARE AVAILABLE AS ASSEMBLIES:</b>			
	4731127	TUBE ASSEMBLY - 3" CANISTER (CONSISTS OF INDEX NUMBERS 2, 3, 5, 6, 17)	
	6137128	AUGER ASSEMBLY (CONSISTS OF INDEX NUMBERS 14 - 16)	

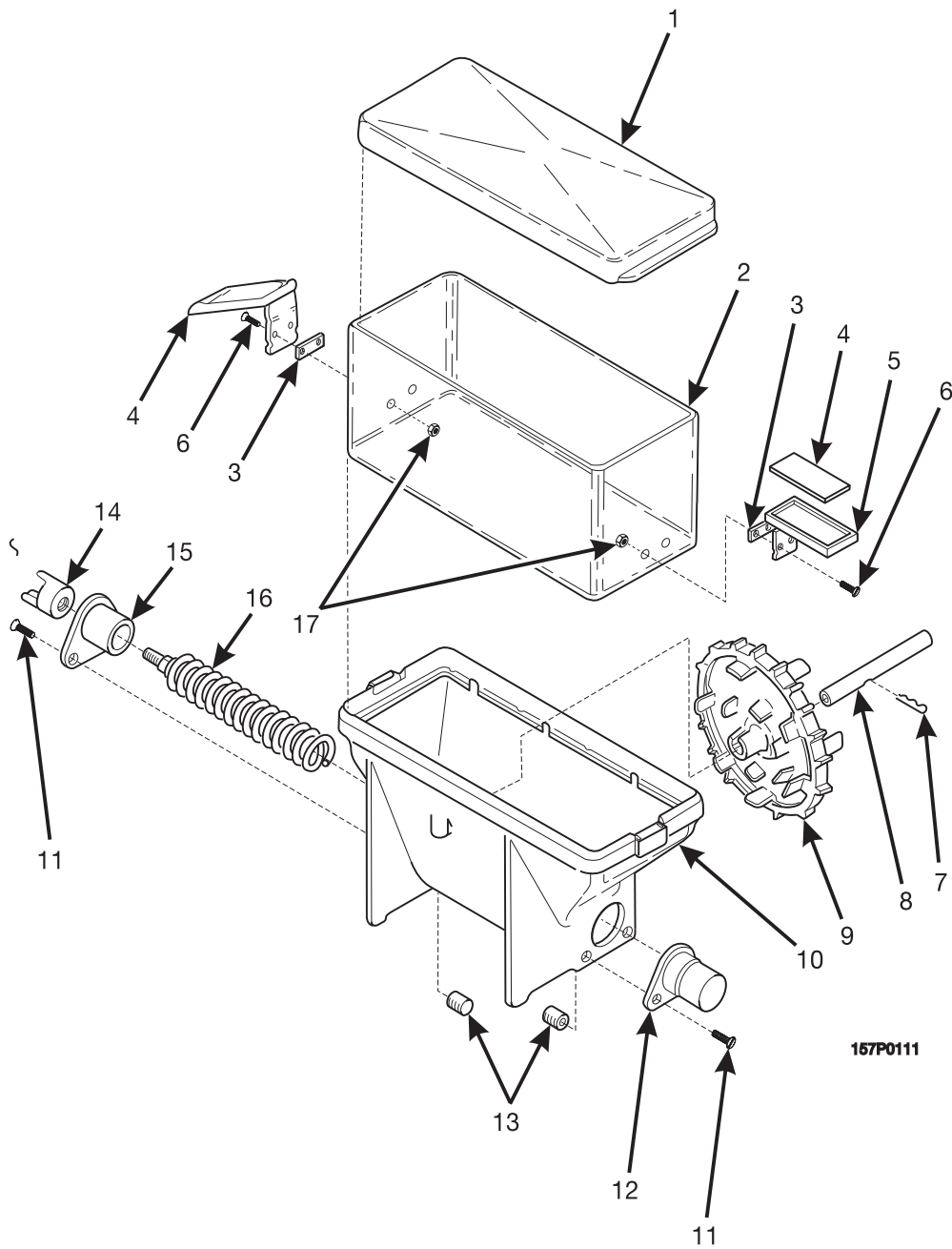


Figure 63. Lightener Canister Assembly

**TABLE 63. LIGHTENER CANISTER ASSEMBLY**

INDEX	PART NUMBER	DESCRIPTION	QTY.
-	4751061	CANISTER ASSEMBLY - LIGHTENER	1
1	6137030	LID - CANISTER	1
2	4731128	TUBE - 3"CANISTER	1
3	6137023	SPACER - CANISTER LATCH	2
4	6137077	LABEL - LIGHTENER	1
5	9984547	DRAW CATCH 07-11-20-1-12	2
6	6137099	SCREW #6-32 X 9/16 FLAT HEAD	4
7	6134030	PIN - HITCH WW CLIP #22 TYPE 302 SS	1
8	6137038	TUBE - MIXING WHEEL	1
9	6137024	MIXING WHEEL	1
10	6137005	CANISTER BASE - SUGAR & CHOCOLATE	1
11	9900027	SCREW #8-32 X 1/2 FHS	4
12	6157019	SPOUT - DISPENSING CHUTE	1
13	9900214	NUT - KNURL - CANISTER	4
14	6107041	AUGER DRIVE COUPLING	1
15	6137035	BEARING - DISPENSING	1
16	6137131	AUGER & SHAFT ASSEMBLY	1
17	6137100	NUT - ACORN #6-32	4

**THE FOLLOWING ARE AVAILABLE AS ASSEMBLIES:**

4731127	TUBE ASSEMBLY - 3" CANISTER (CONSISTS OF INDEX NUMBERS 2, 3, 5, 6, 17)
6137128	AUGER ASSEMBLY (CONSISTS OF INDEX NUMBERS 14 - 16)

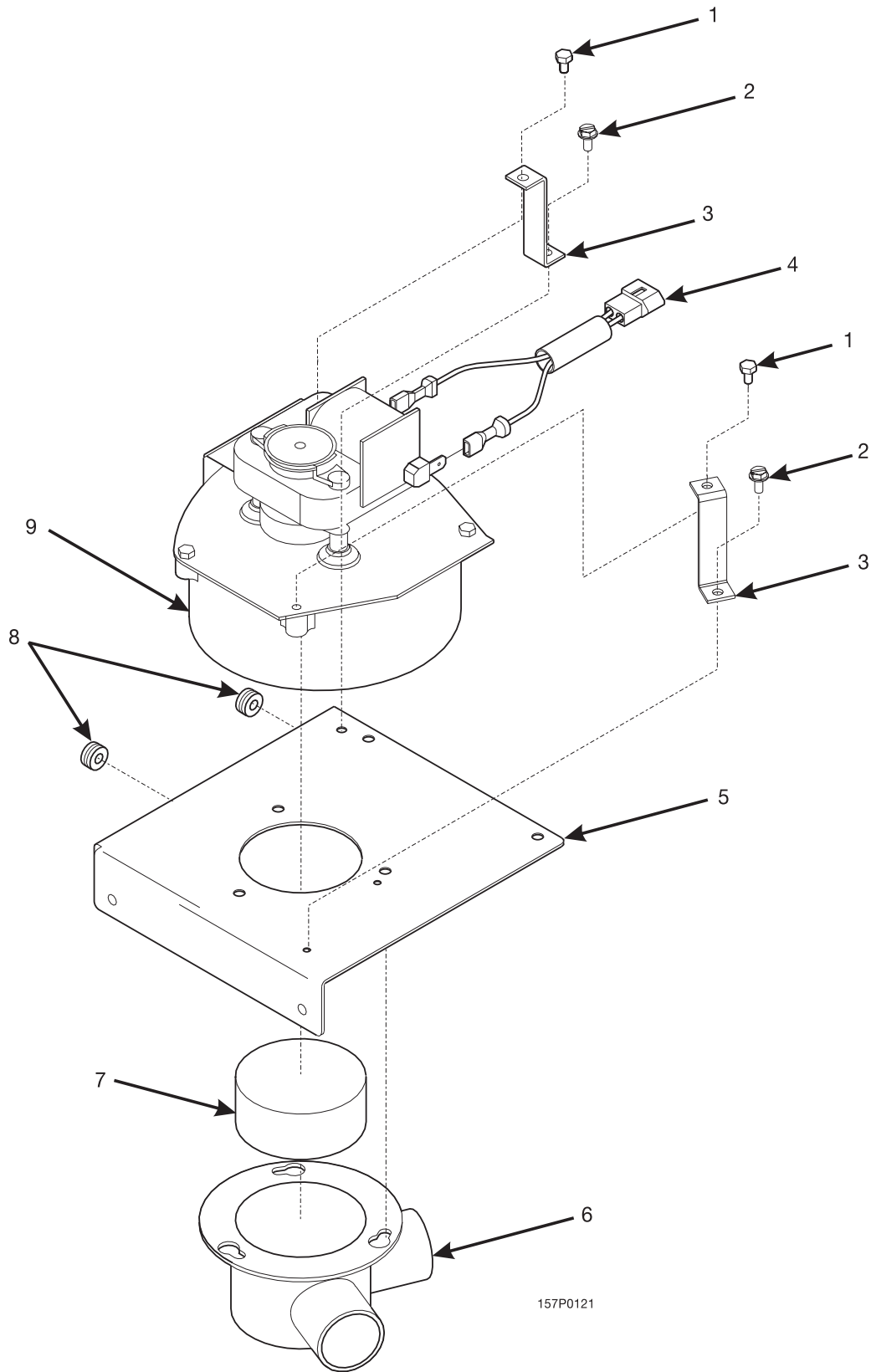


Figure 64. Blower and Mounting Assembly

**TABLE 64. BLOWER AND MOUNTING ASSEMBLY**

INDEX	PART NUMBER	DESCRIPTION	QTY.
-	4731346	BRACKET & BLOWER ASSEMBLY - 115 V	1
1	1437204	SCREW - #8-10 X .38 HEX HD.TF	2
2	1451097	SCREW - #8-32 X .31 HEX HD.TF - BLK.	2
3	6231553	TIE DOWN - BLOWER ASSEMBLY	2
4	9989637	JUMPER - BLOWER	1
5	4731347	BRACKET ASSEMBLY - BLOWER MOUNTING	1
6	6237342	HOUSING - EXHAUST BLOWER	1
7	6237340	FILTER - EXHAUST BLOWER	1
8	2302223	GROMMET - 3/16	2
9	6231548	BLOWER ASSEMBLY - 120V	1

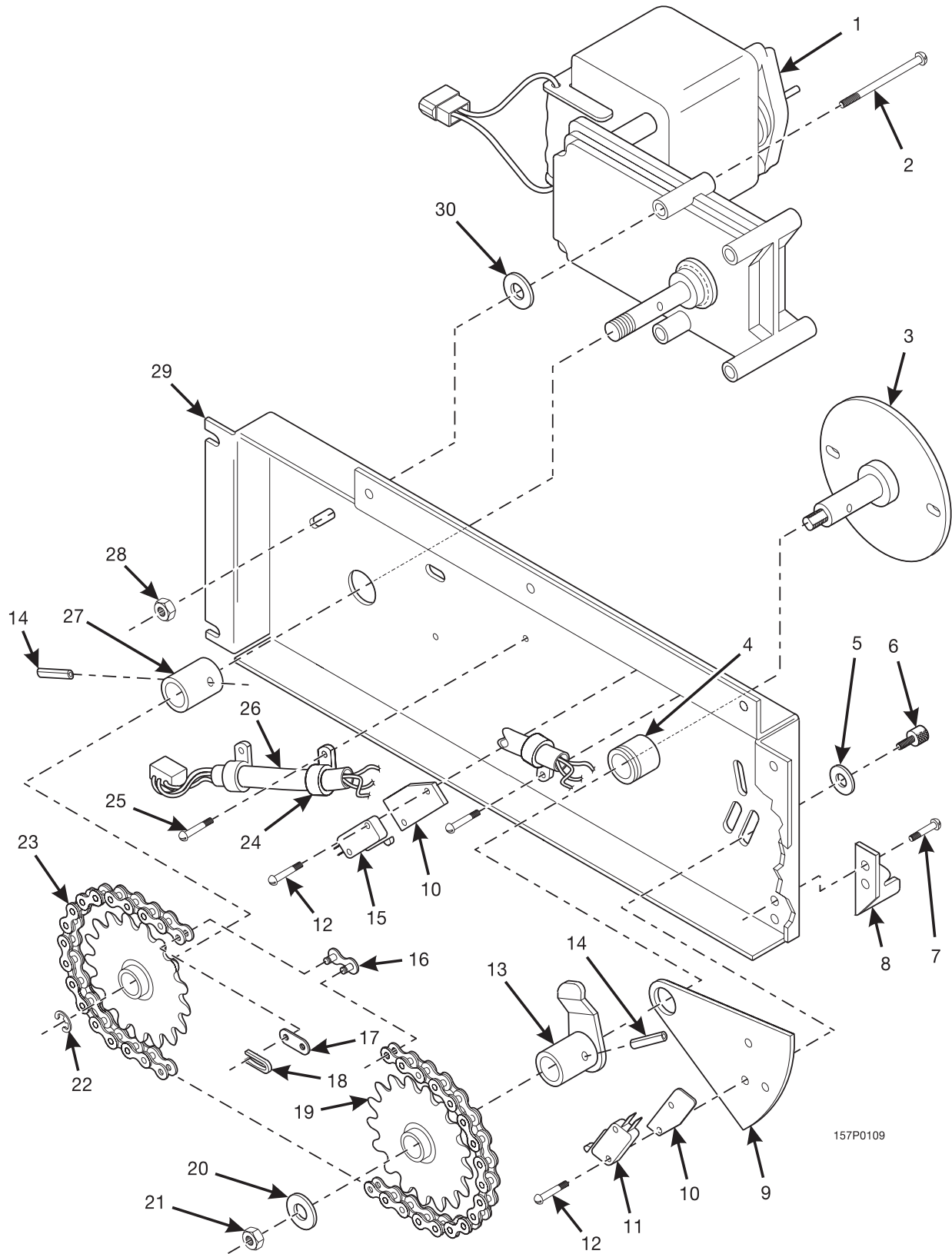


Figure 65. Brewer Drive Assembly

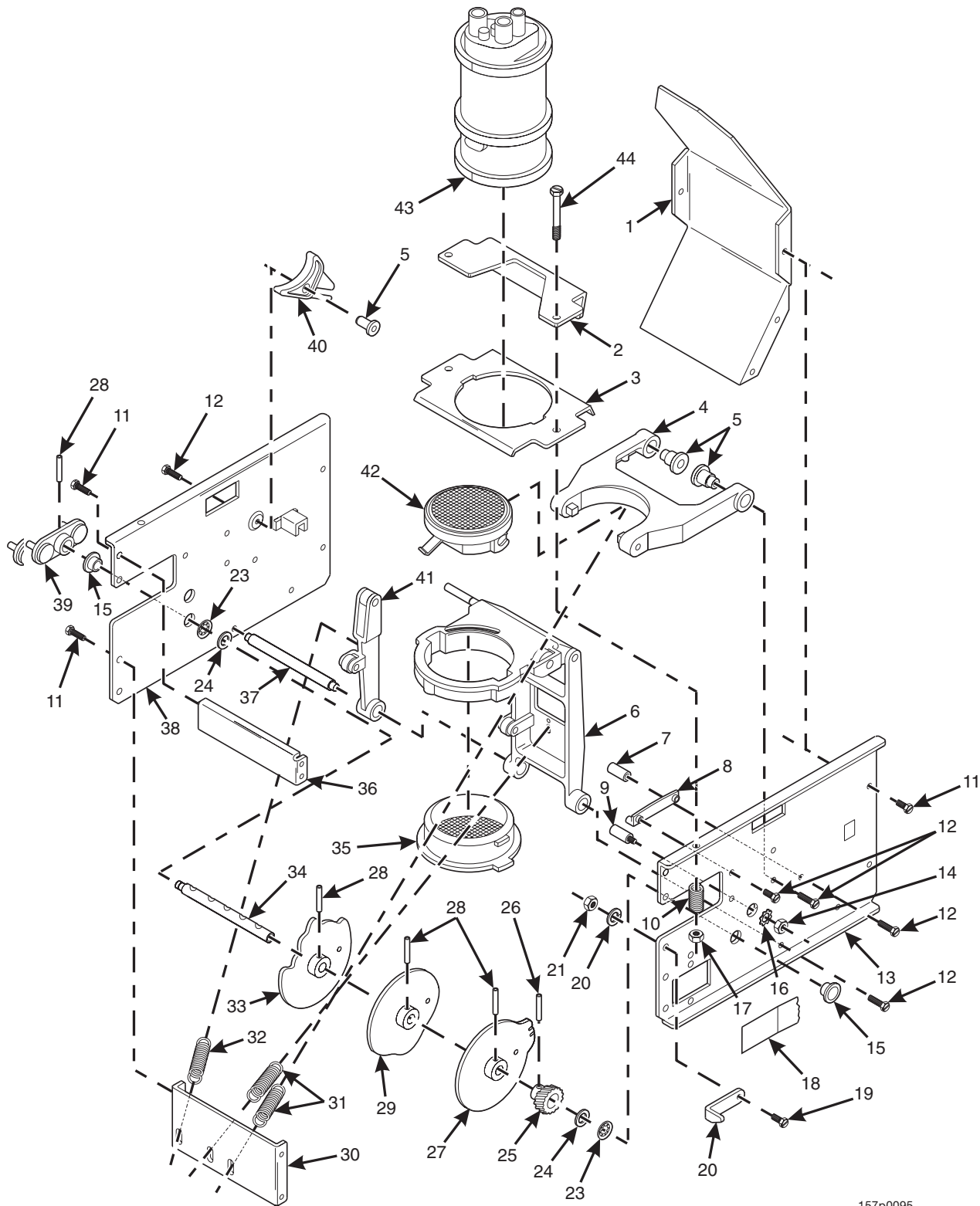


**TABLE 65. BREWER DRIVE ASSEMBLY**

INDEX	PART NUMBER	DESCRIPTION	QTY.
-	4731282	DRIVE ASSEMBLY - BREWER	-
1	4751230	MOTOR - BREWER	1
2	4731070	SCREW - #10 - 32 X 1.75 PHS	4
3	4731083	COUPLING & BREWER ASSEMBLY	1
4	4047012	SHOULDER BUSHING	2
5	9900035	WASHER, STEEL 7/16 X 3/16 X 3	1
6	2206028	THUMB SCREW, SIDEWALL	1
7	1451097	SCREW - #8 - 32X.31 HEX HD.TF - BL	4
8	4731082	BRACKET - BREWER	2
9	4731093	PLATE - SWITCH - MOUNTING	1
10	2304083	INSULATOR - SWITCH	2
11	5201091	SWITCH	1
12	1217160	4 - 40X5/8 RHS M SCREW Z/Y	4
13	4731085	CAM ASSEMBLY - SWITCH ACTUATOR	1
14	6133157	ROLL PIN 3/16 X 1	2
15	9984634	SWITCH - ROLLER LEVER	1
16	4047176	LINK & PIN ASY - MASTER - 212 - 18	1
17	4047177	LINK - MASTER - #211 - 1808	1
18	4047178	RETAINER - MASTER LINK - #212 - 18	1
19	4246171	SPROCKET - DRIVE - ELEVATOR	2
20	4731101	WASHER - .265 I.D.X 1.00 O.D.X	1
21	9900043	NUT 1/4 - 20 HEX ZINC PLATE	1
22	9900437	RETAINING RING REINF E TYP.3	1
23	4731097	CHAIN - ELEVATOR - #211 - 1853	1
24	2221049	WIRE CLAMP .302 DIA	3
25	1451097	SCREW - #8 - 32X.31 HEX HD.TF - BL	3
26	4731096	HARNESS - BREWER HOUSING	1
27	4731095	BUSHING - MOTOR	1
28	9900164	NUT #10 - 32 KEPS ZINC PLATE	4
29	4731280	HOUSING & BUSHING ASSEMBLY	1
30	2204093	WASHER - SCAVENGER BAR	4

**THE FOLLOWING ARE AVAILABLE AS ASSEMBLIES:**

4731103	MOTOR & PIN ASSEMBLY (CONSISTS OF INDEX NUMBERS 1, 14, AND 27)
4731281	HOUSING ASSEMBLY-BREWER DRIVE (CONSISTS OF INDEX NUMBERS 4 AND 29)
4731092	SWITCH & PLATE ASSEMBLY (CONSISTS OF INDEX NUMBERS 9 - 12)

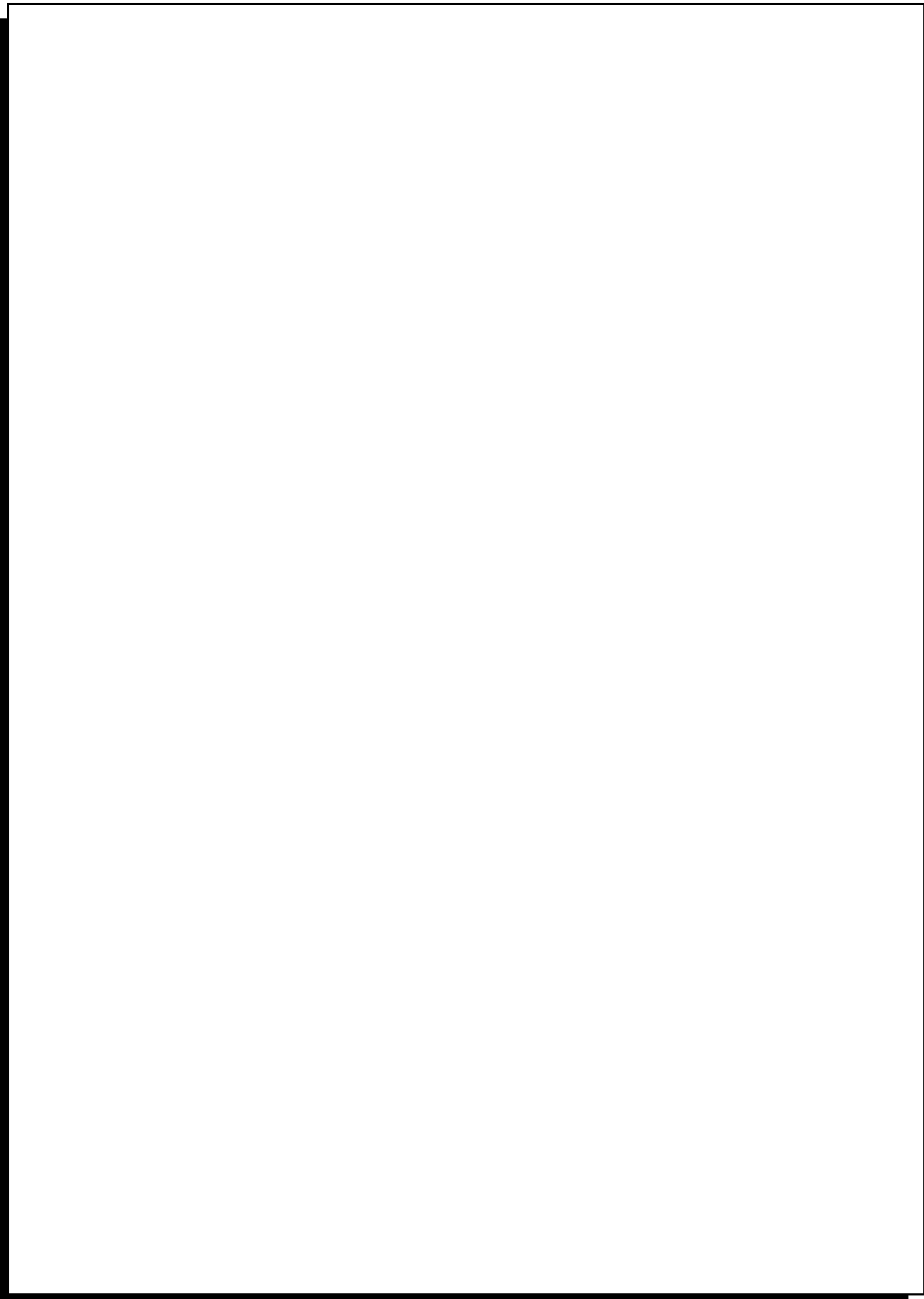


157p0095

Figure 66. Brewer Assembly - No Filter)  
 Figure 66. Brewer Assembly - No Filter) (Continued)

**TABLE 66. BREWER ASSEMBLY - NO FILTER)**

INDEX	PART NUMBER	DESCRIPTION	QTY.
-	6204216	BREWER ASSEMBLY - NO FILTER	1
-	3614011	BREWER ASSEMBLY - COMMON (INCLUDES ALL ITEMS EXCEPT INDEX 42)	1
1	6134112	BRACKET - REAR SPACER	1
2	3614004	TEA DEFLECTOR	1
3	6134123	CHANNEL - BARREL SUPPORT	1
4	6104122	LEVER ASSEMBLY - FUNNEL MOUNT	1
5	6134104	STUD - PIVOT	3
6	6104386	LEVER ASSEMBLY - BASKET (SEE FIGURE 68 FOR DETAILS)	1
7	6104126	STOP - BASKET TRAVEL LEVER	1
8	6134102	CAM - BASKET ROLLER	1
9	6134157	STOP - ADJUSTABLE BREWER	1
10	6234225	SPRING - BREWER	2
11	6104410	SCREW #10-32 X 1/4 PHS W/LW SS	14
12	6104409	SCREW #10-32 X 1/2 PHS W/LW SS	4
13	6134167	FRAME ASSEMBLY - RIGHT SIDE	1
14	6134160	NUT # 1/4-20 HEX	1
15	6134105	BUSHING - FRAME	2
16	6134161	LOCKWASHER - 1/4 EXT TOOTH	1
17	6234289	LOCKNUT - #1/4-20	2
18	6134199	WARNING LABEL - BREWER COVER REMOVAL - ENGLISH	1
19	4754002	LATCH - BREWER	1
21	4754003	STUD - RETAINER - BREWER	1
20	9900208	SPRING WASHER .625 X.280 X.006	1
22	3106215	NUT #8-32 STAINLESS	1
23	6134163	PUSH NUT .500	2
24	6134195	SPACER - BUSHING	1
25	6104464	GEAR DRIVE - FILTER TAPE	2
26	6104216	ROLL PIN	1
27	6104201	FUNNEL CAM ASSEMBLY	1
28	6104462	GROOVE PIN	4
29	6104204	BASKET TRAVEL CAM ASSEMBLY	1
30	6134119	BRACKET - SPRING - FRONT SPACER	1
31	6104129	EXTENSION SPRING - FUNNEL BASKET TRAVEL LEVERS	2
32	6104163	EXTENSION SPRING - FLIP LEVER	1
33	6224106	CAM ASSEMBLY - FLIP	1
34	6134122	SHAFT - CAM	1
35	6104428	BASKET ASSEMBLY - BREWER 230 MESH (SEE FIGURE 67 FOR DETAILS)	1
36	6134120	BRACKET - FRONT SPACER	1



**TABLE 66. BREWER ASSEMBLY - NO FILTER) (CONTINUED)**

INDEX	PART NUMBER	DESCRIPTION	QTY.
37	6104165	SHAFT - LEVER	1
38	6134111	FRAME ASSEMBLY - LEFT SIDE	1
39	6134127	ARM ASSEMBLY - COUPLING	1
40	6134101	LEVER - FLIP	1
41	6104101	FLIP LEVER ASSEMBLY	1
42	6134187	FUNNEL ASSEMBLY - 30 MESH SCREEN (SEE FIGURE 69 FOR DETAILS)	1
43	6134151	BARREL ASSEMBLY - BREWER (SEE FIGURE 70 FOR DETAILS)	1
44	6234288	BOLT - 1/4-20X1 1/2	2

**THE FOLLOWING ARE AVAILABLE AS ASSEMBLIES:**

6134149	FRAME ASSEMBLY - R H - BREWER - TAPELESS (INCLUDES INDEX NUMBERS 8 - 10, 14 - 17, 26, 27)
6224105	SHAFT ASSEMBLY - CAM (INCLUDES INDEX NUMBERS 24, 26 - 30, 34, 35)
6134179	FRAME & FLIP LEVER ASSEMBLY - LH - BREWER (INCLUDES INDEX NUMBERS 6, 11, 13, 14, 39, 25, 41)

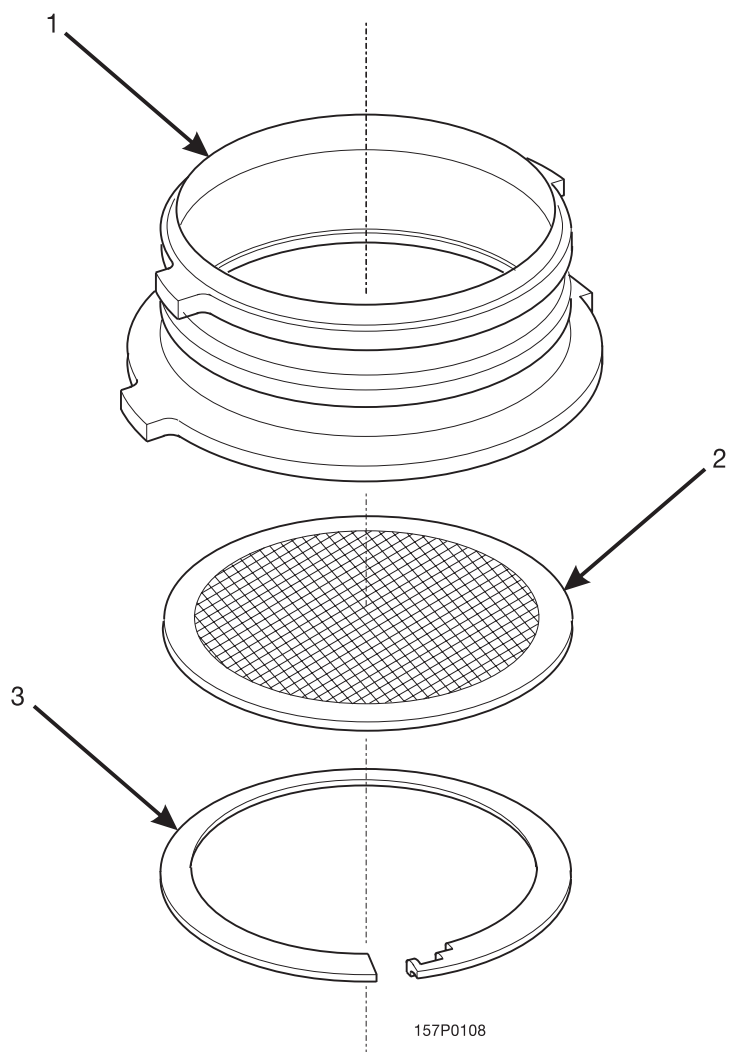


Figure 67. Brewer Basket Assembly

**TABLE 67. BREWER BASKET ASSEMBLY**

<b>INDEX</b>	<b>PART NUMBER</b>	<b>DESCRIPTION</b>	<b>QTY.</b>
-	6104428	BASKET ASSEMBLY - BREWER - 230 MESH	-
1	6104439	BASKET - BREW	1
2	6114015	SCREEN ASSEMBLY - BREW	1
3	6104438	SPRING - SCREEN RETAINER	1

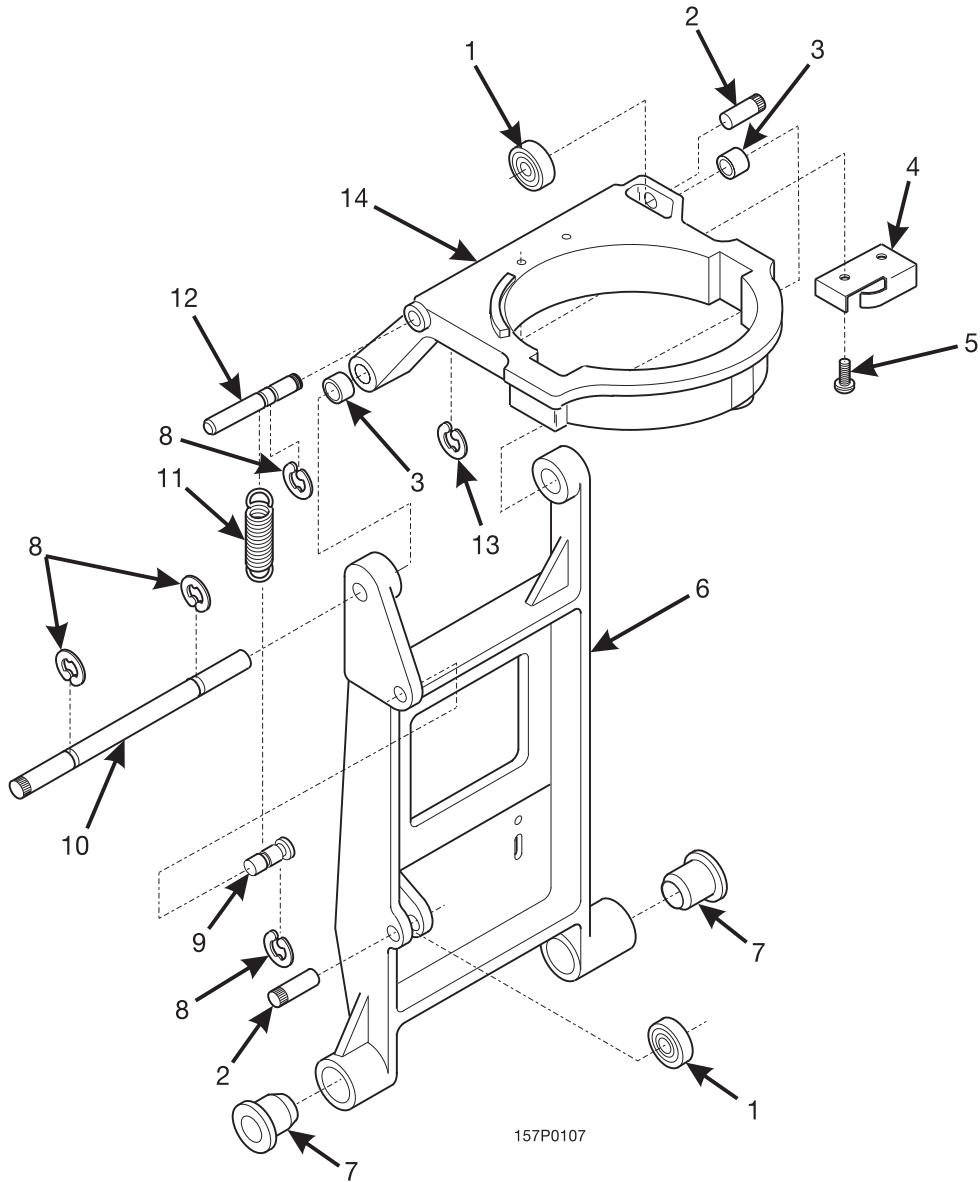


Figure 68. Basket Lever Assembly



**TABLE 68. BASKET LEVER ASSEMBLY**

INDEX	PART NUMBER	DESCRIPTION	QTY.
-	6104386	BASKET LEVER ASSEMBLY	1
1	6104019	ROLLER ASSEMBLY	2
2	6104104	PIN - ROLLER	2
3	6104021	BUSHING - SHUTTER ROLLER	2
4	6104384	STOP - LOWER HALF BREW BASKET	1
5	6204211	SCREW - #6-32 X 1/4 PHS T/C SS	2
6	6134293	LEVER - BASKET TRAVEL	1
7	6104472	BUSHING - BASKET TRAVEL LEVER #D238	2
8	3103029	WALDES TRUARC RING	4
9	6134065	POST - SPRING - SHORT	1
10	6104115	SHAFT - PIVOT - BASKET LEVERS	1
11	6104111	SPRING - EXTENSION - BREW BASKET LEVERS	1
12	6134064	POST - SPRING - LONG	1
13	6134063	RETAINING RING - CRESENT 1/4	1
14	6104387	LEVER - BREW BASKET	1

**THE FOLLOWING ARE AVAILABLE AS ASSEMBLIES:**

6134180	LEVER ASSEMBLY - BASKET TRAVEL (INCLUDES INDEX NUMBERS 1, 2, 7, 8, 9, 13)
6134181	LEVER ASSEMBLY - BREW BASKET (INCLUDES INDEX NUMBERS 1-5, 8, 12-14)

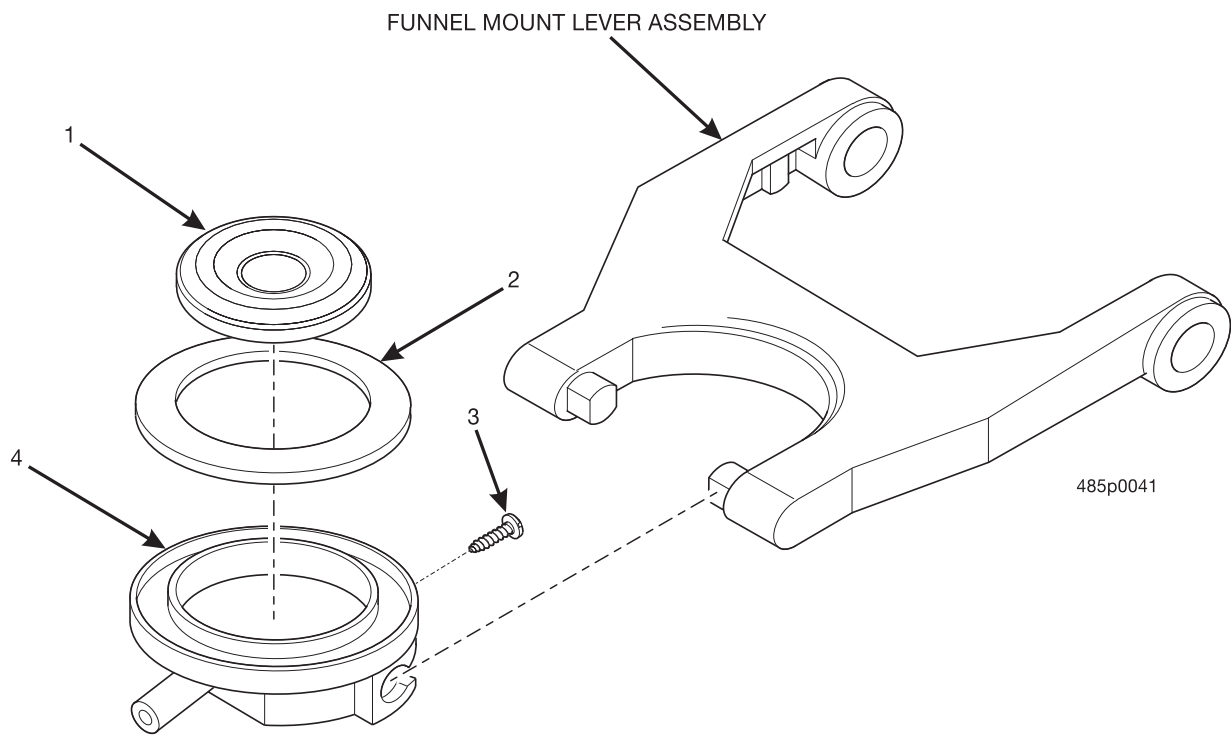


Figure 69. Funnel Assembly

**TABLE 69. FUNNEL ASSEMBLY**

<b>INDEX</b>	<b>PART NUMBER</b>	<b>DESCRIPTION</b>	<b>QTY.</b>
-	6134187	FUNNEL ASSEMBLY - 30 MESH SCREEN	1
1	6334019	FILTER SUPPORT - 30 MESH	1
2	6234375	SEAL - BREWER	1
3	6204240	FUNNEL - COFFEE	1
4	6204211	SCREW - #6-32 X 1/4 PHS T/C SS	1

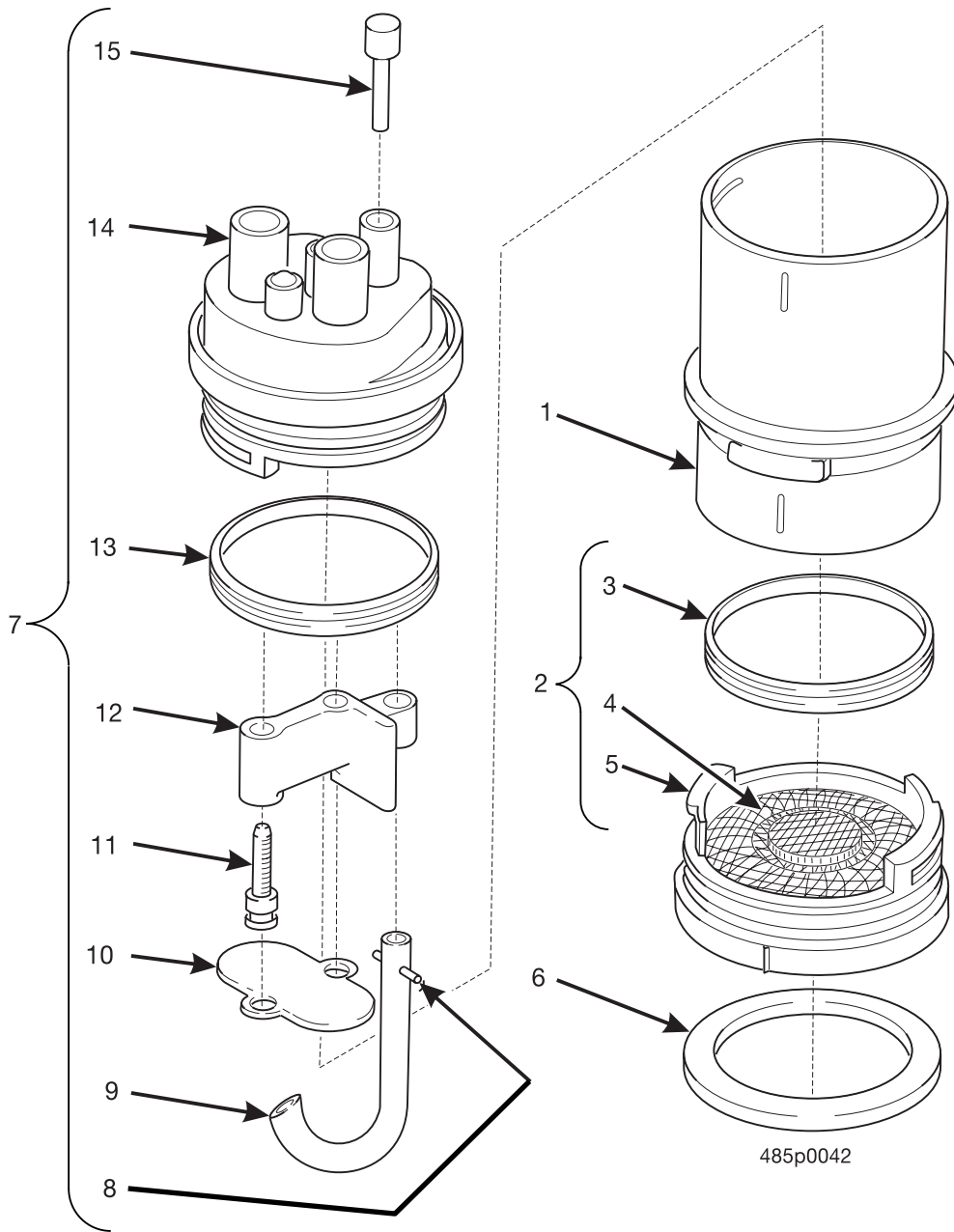


Figure 70. Brewer Barrel Assembly

**TABLE 70. BREWER BARREL ASSEMBLY**

INDEX	PART NUMBER	DESCRIPTION	QTY.
-	6134151	BREWER BARREL ASSEMBLY	1
1	6104184	BREWER BARREL	1
2	6104190	BREW BARREL - LOWER INSERT ASSEMBLY (INCLUDES INDEX NUMBERS 3-5)	1
3	6104193	QUAD RING SEAL	2
4	6134286	SCREEN - BREWER BARREL	1
5	6104181	LOWER INSERT - BREWER BARREL	1
6	6234375	SEAL - BREWER	1
7	6134152	MANIFOLD ASSEMBLY - HOSE - BREWER BARREL (INCLUDES INDEX NUMBERS 8-15)	1
8	6106107	ROLL PIN	1
9	6134197	TUBE - AIR JET	1
10	6134155	MANIFOLD - BREWER BARREL	1
11	6134173	SCREW - SHOULDER	2
12	6204229	DEFLECTOR - MANIFOLD	1
13	6104193	QUAD RING SEAL - LOWER BREWER INSERT	1
14	6134178	MANIFOLD & INSERT ASSEMBLY - BREWER	1
15	6134192	PLUG - BREWER MANIFOLD	1

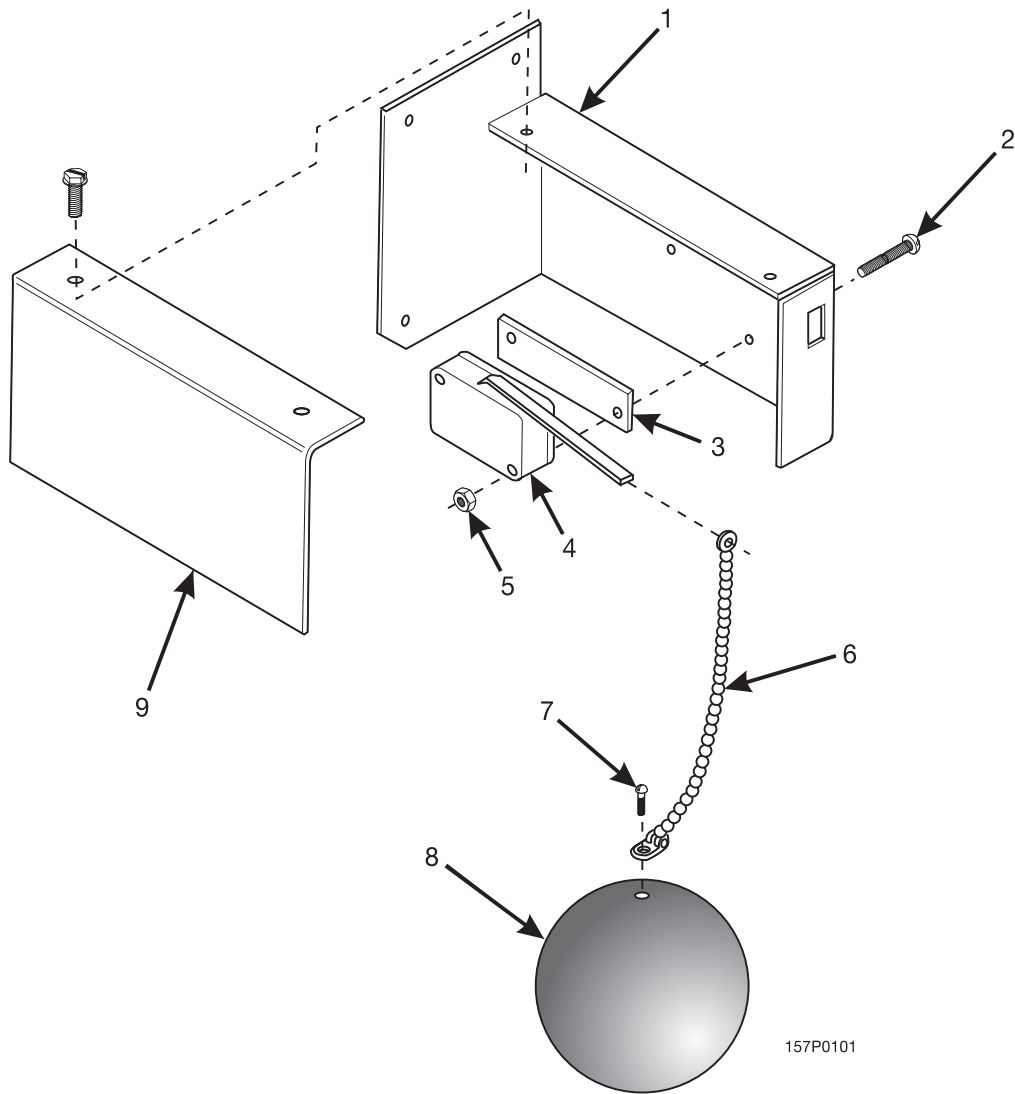


Figure 71. Overflow Switch Assembly

**TABLE 71. OVERFLOW SWITCH ASSEMBLY**

INDEX	PART NUMBER	DESCRIPTION	QTY.
-	4731158	OVERFLOW SWITCH ASSEMBLY	1
1	3116123	BRACKET ASSEMBLY - OVERFLOW SWITCH	1
2	1217160	4-40 X 5/8 RHS M SCREW Z/Y	2
3	3121150	INSULATION - OVERFLOW SWITCH	1
4	2304108	SWITCH LEVER V3L-131-D8	1
5	1217159	4-40 KEPS W/EXT L/WAS H ZP	2
6	4731159	CHAIN - OVERFLOW SWITCH	1
7	4047054	SCREW #8 18X1/2 RHS T/C	1
8	3116127	FLOAT - OVERFLOW SWITCH	1
9	3116126	COVER - OVERFLOW SWITCH	1

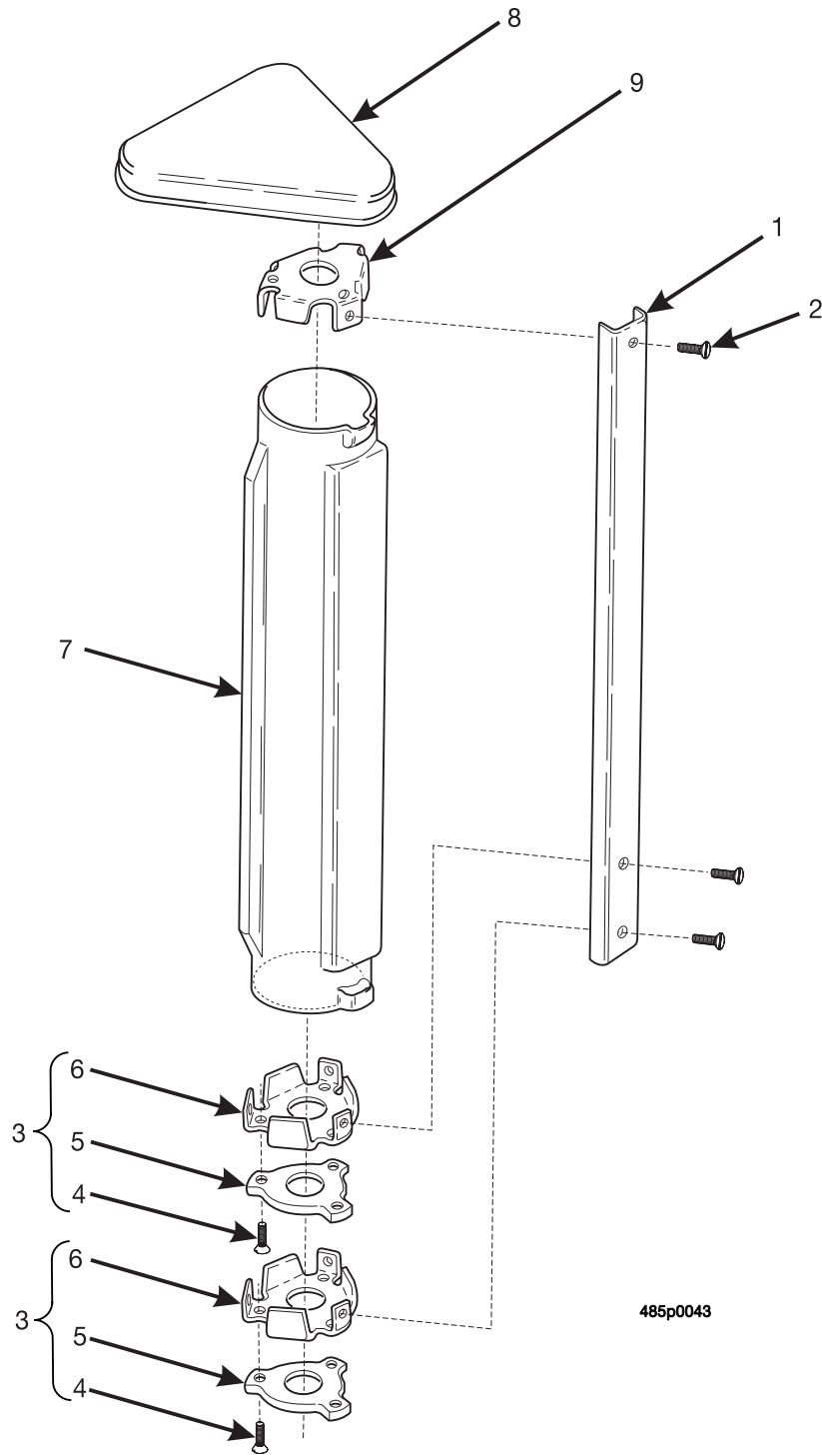


Figure 72. Cup Turret Assembly



**TABLE 72. CUP TURRET ASSEMBLY**

INDEX	PART NUMBER	DESCRIPTION	QTY.
-	4733025	CUP TURRET ASSEMBLY	1
1	4733026	CHANNEL - CUP TURRET	3
2	1451097	SCREW - #8-32 X .31 HEX HD T/F - BLK	9
3	4733037	BUSHING AND PLATE ASSEMBLY	2
4	1451097	SCREW #8-32 X .31 HD - T/F - BLACK	3
5	4733020	BUSHING - TURRET SHAFT	1
6	4733027	PLATE - CUP TURRET	1
7	3123146	TUBE - CUP	3
8	4733028	COVER - CUP TURRET	1
9	4733027	PLATE - CUP TURRET	1

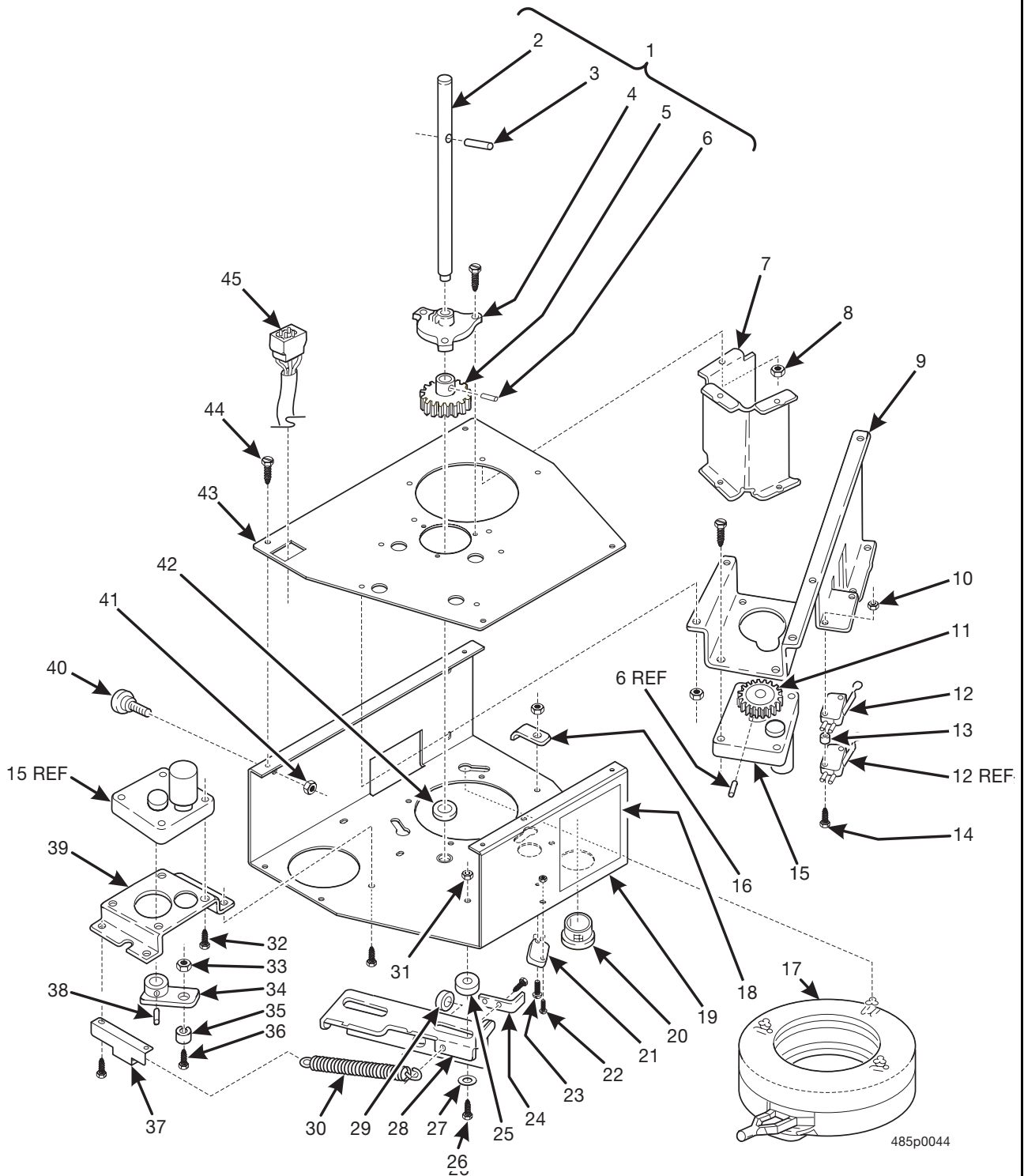
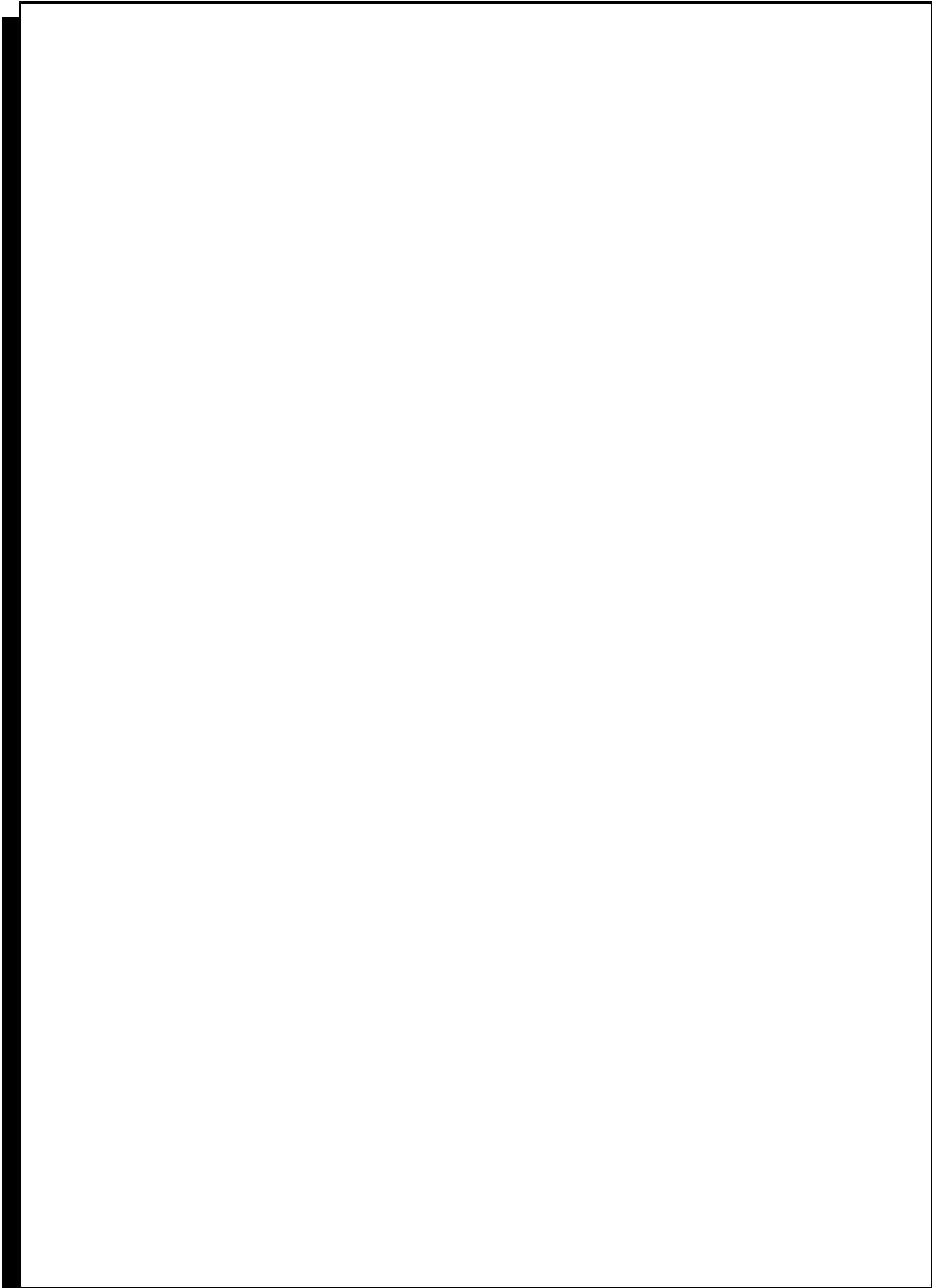


Figure 73. Cup Dispenser Assembly.  
Figure 73. Cup Dispenser Assembly (Continued)

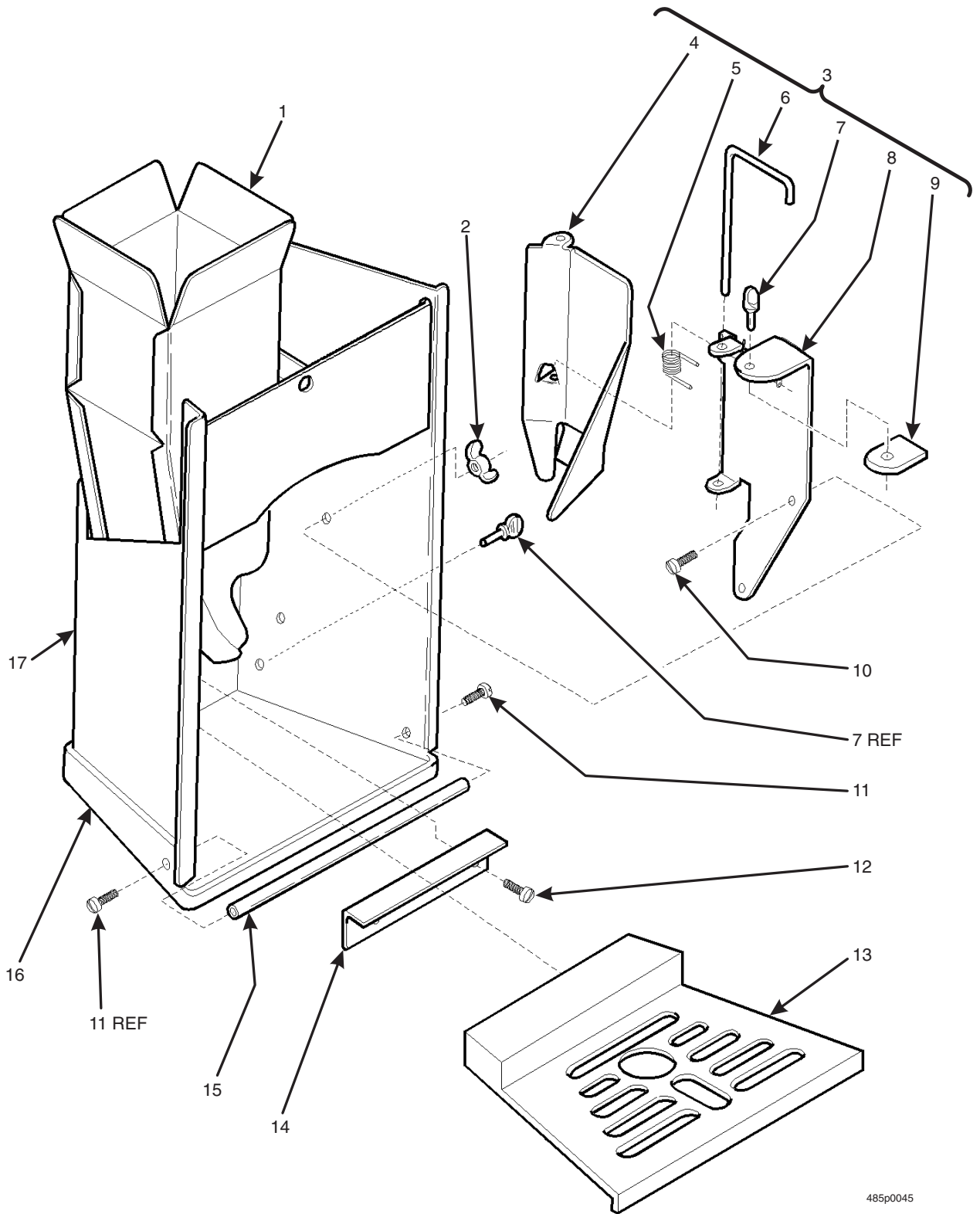
**TABLE 73. CUP DISPENSER ASSEMBLY**

INDEX	PART NUMBER	DESCRIPTION	QTY.
-	4853009	CUP DISPENSER ASSEMBLY	1
1	4733019	SHAFT AND GEAR ASSEMBLY (INCLUDES INDEX NUMBERS 7-11)	1
2	4733018	SHAFT - TURRET	1
3	3127034	PIN - ROLL - 1/8 X 13/16	1
4	4733020	BUSHING - TURRET SHAFT	1
5	4733017	GEAR - TURRET SHAFT	1
6	1306519	PIN - ROLL - 3/32 X 3/4	2
7	4733004	GUIDE - FRONT - CUP DISPENSER	1
8	9900081	NUT #8-32, KEPS, ZINC PLATED	9
9	4733003	GUIDE - REAR - CUP DISPENSER	1
10	1217159	NUT #4-40 KEPS	4
11	4733009	GEAR - MOTOR	1
12	3113008	SWITCH ASSEMBLY	2
13	1127806	ROLLER	2
14	3113003	SCREW #4-40 X 1-1/4 RHS	2
15	4733008	MOTOR	2
16	3103016	SEPARATOR LOCK - CUP	1
17	3143005	RING ASSEMBLY - CUP	1
18	4751042	LABEL - CUP TURRET - LOADING	1
19	4853001	PLATE - BOTTOM - CUP DISPENSER	1
20	4021063	BUSHING	1
21	9984632	SWITCH - BASIC	1
22	1217160	SCREW #4-40 X 5/8 RHS	2
23	9900019	SCREW #8-32	1
24	4733014	ANGLE - CUP RELEASE ARM	1
25	4733010	BUSHING - RELEASE ARM - CUP RING	1
26	1277102	SCREW #10-32 X 5/8, RHS, SEMS, EXT, ZINC PLATED	2
27	4733011	WASHER, RELEASE ARM BUSHING	1
28	4733013	ARM - RELEASE - CUP RING	1
29	3143004	BUSHING	1
30	4733035	SPRING - RELEASE ARM - CUP RING	1
31	9900164	NUT #10-32, KEPS, ZINC PLATED	5
32	1217161	SCREW #10-32 X 1/2, RHS, SEMS, EXT, ZINC PLATED	8
33	1407048	NUT - #10-32, M/F, ZINC PLATED	1
34	4733022	CAM AND BUSHING ASSEMBLY	1
35	4733040	ROLLER ASSEMBLY - RELEASE ARM CAM	1
36	3172043	SCREW - SHOULDER	1



**TABLE 73. CUP DISPENSER ASSEMBLY (CONTINUED)**

INDEX	PART NUMBER	DESCRIPTION	QTY.
37	4853003	BRACKET - SPRING HOOK	1
38	6107020	PIN - ROLL - 3/32 X 13/16	1
39	4853002	BRACKET - MOTOR MOUNTING	1
40	4733005	STUD - MOUNTING - CUP TURRET	1
41	9900164	NUT #10-32, KEPS, ZINC PLATED	5
42	4242145	BEARING - THRUST - LOWER HINGE	1
43	4853004	TOP PLATE AND STUD ASSEMBLY	1
44	1451097	SCREW #8-32 X 5/16, HEX HD, T/F, BLACK	18
45	4833039	HARNESS - CUP DISPENSER	1



485p0045

Figure 74. Cup Station Assembly

**TABLE 74. CUP STATION ASSEMBLY**

INDEX	PART NUMBER	DESCRIPTION	QTY.
-	4731152	CUP STATION ASSEMBLY	-
1	4731150	CUP CHUTE WELD ASSEMBLY	1
2	3103133	WING NUT #8-32, STAINLESS	2
3	3103103	DEFLECTOR ASSEMBLY - CUP (INCLUDES INDEX NUMBERS 4-9)	1
4	3103106	DEFLECTOR - CUP - PIVOTED	1
5	3103105	SPRING - PIVOT BAR - CUP HOLDER	1
6	3103104	BAR - PIVOT - CUP HOLDER	1
7	6104051	THUMB SCREW #10-32 X 1/2	2
8	3103107	BRACKET - CUP DEFLECTOR	1
9	3103108	LOCKING BAR - CUP HOLDER	1
10	3123134	SCREW - #8-32 X 3/8, THS, UNSLOTTED, STAINLESS	2
11	6114118	SCREW - #6-32 X 7/16 PHS W/LW - SS	2
12	3104125	SCREW - #8-32 X 1/4, PHS, STAINLESS	5
13	4731326	GRILL - CUP COMPARTMENT	1
14	4731023	SUPPORT - GRILL - CUP STATION	1
15	4731024	SPACER - CUP STATION	1
16	4731001	BASE - CUP STATION	1
17	4731151	CUP STATION WELD ASSEMBLY	1

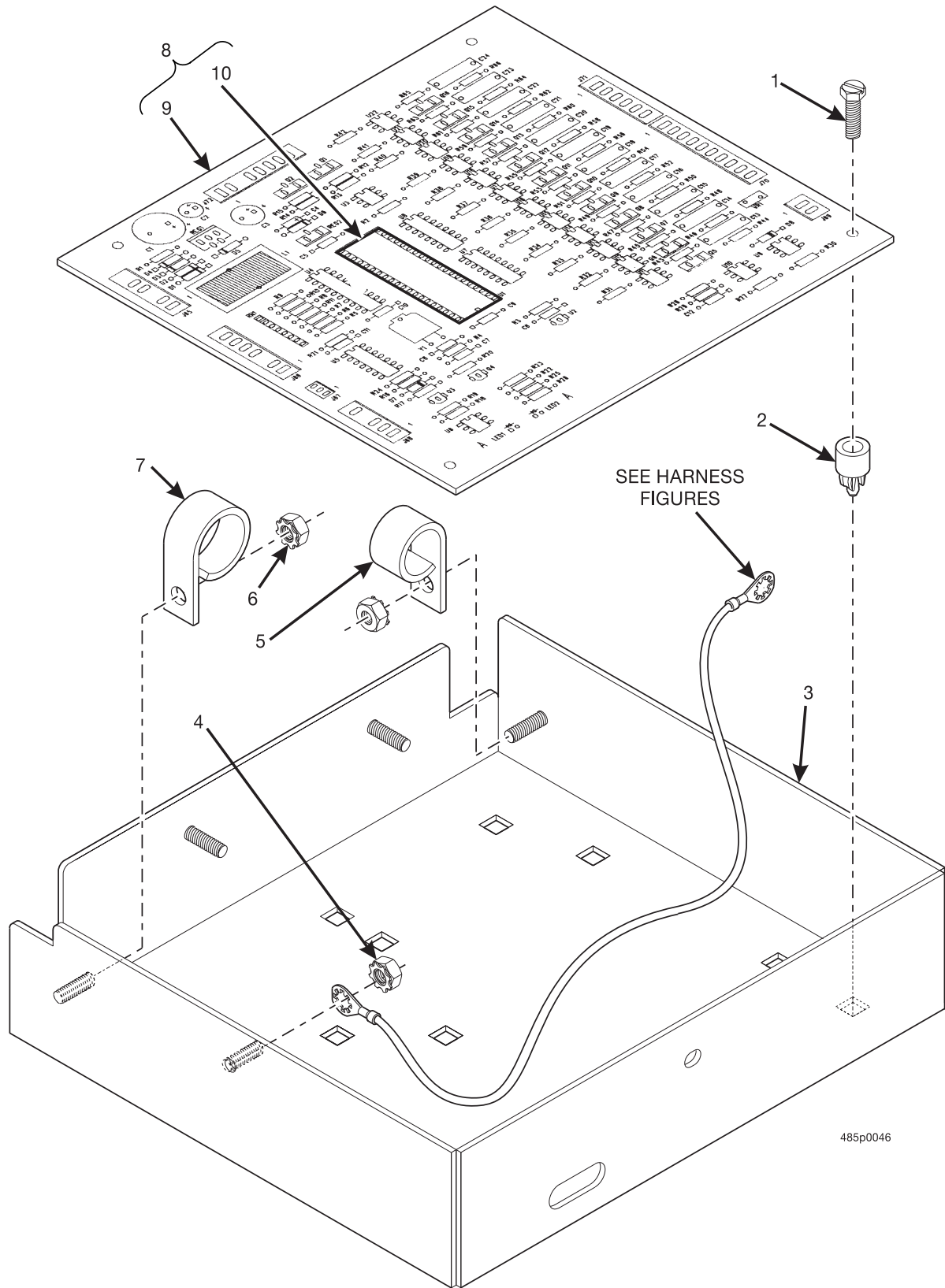


Figure 75. Cover and PCB Assembly



**TABLE 75. COVER AND PCB ASSEMBLY**

INDEX	PART NUMBER	DESCRIPTION	QTY.
-	4851049	COVER AND PCB ASSEMBLY - COFFEE	1
1	1471199	SCREW - #8-18 X .62 HEX/WH.	4
2	1571034	STANDOFF - PCB-3/8 SCREW MOUNT	10
3	4851031	COVER ASSEMBLY - PCB - COFFEE	1
4	9900081	NUT - #8-32 KEPS ZINC PLATE	1
5	4732024	RETAINER - HARNESS	1
6	9900081	NUT #8-32 KEPS ZINC PLATE	2
7	4751060	RETAINER - HARNESS	1
8	4856003	CABINET CONTROLLER - WITH PROGRAMMED EPROM	1
9	4856000	PCB ASSEMBLY - RC3 - COFFEE MODULE	1
10	SEE LABEL	IC ASSEMBLY	1

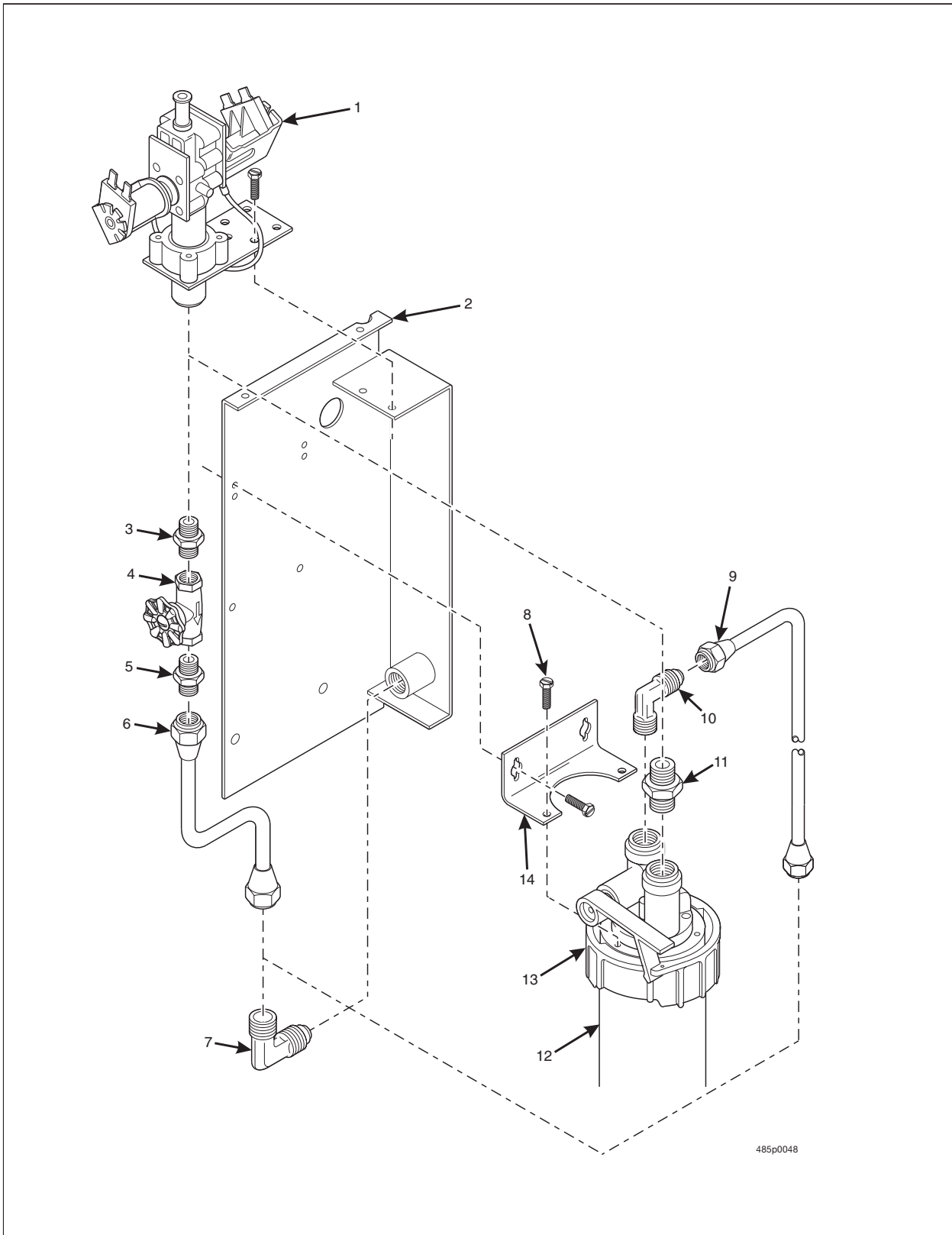


Figure 76. Water Inlet Assembly - No Filter Option/Everpure Option

<b>TABLE 76. WATER INLET ASSEMBLY - NO FILTER OPTION/EVERPURE OPTION</b>			
INDEX	PARTNUMBER	DESCRIPTION	QTY.
-	4751034	INLET & VALVE ASSEMBLY - NO FILTER OPTION (INCLUDES INDEX NUMBERS 1-7)	1
-	4751036	FILTER HEAD AND BRACKET ASSEMBLY - WITH EVERPURE FILTER OPTION (INCLUDES INDEX NUMBERS 1, 2, 9-14)	1
-	1451097	SCREW - #8-32X.31 HEX HD. TF - BLK.	2
-	9900163	SCREW #10-32 X 5/8 RHS T/C	2
-	-	NO FILTER OPTION (INCLUDES INDEX NUMBERS 3 - 6)	OPT
1	3108045	VALVE WI VAL K19146 N/42	1
2	4781003	COUPLING & BRACKET ASSEMBLY	1
3	6108082	REDUCING NIPPLE 1/4 IPS TO 3/8 IPS	1
4	3108048	VALVE WATER - CONBRACO #57-001-01 1/4" GLOBE VALVE	1
5	3128151	CONNECTOR - MALE - COUPLINGS 48CC, PH#48F-4-4, MALE 1/4 SAE FLX1/4	1
6	4731172	TUBE ASSEMBLY - CABINET TO STRAINER	1
7	3128150	ELBOW - MALE - COUPLINGS #49CE 1/4 SAE FLX 3/8 NPTF, P#149F-6-6	1
8	9900163	SCREW #10-32 X 5/8 RHS T/C	-
9	6151037	TUBE ASSEMBLY - CABINET TO STRAINER	1
10	3128150	ELBOW - MALE - COUPLINGS #49CE 1/4 SAE FLX 3/8 NPTF, P#149F-6-6	2
11	3608201	NIPPLE - 3/8 NPTF - HEX #216P-6	1
12	6118071	CARTRIDGE - WATER FILTER - 9611-00-4H - EVERPURE	1
13	3158022	HEAD - WATER FILTER - 9267-12 QC4	1
14	3158023	BRACKET - MOUNTING - WATER FILTER #3046-44	1
	4781002	BRACKET - FILTER MOUNTING	1

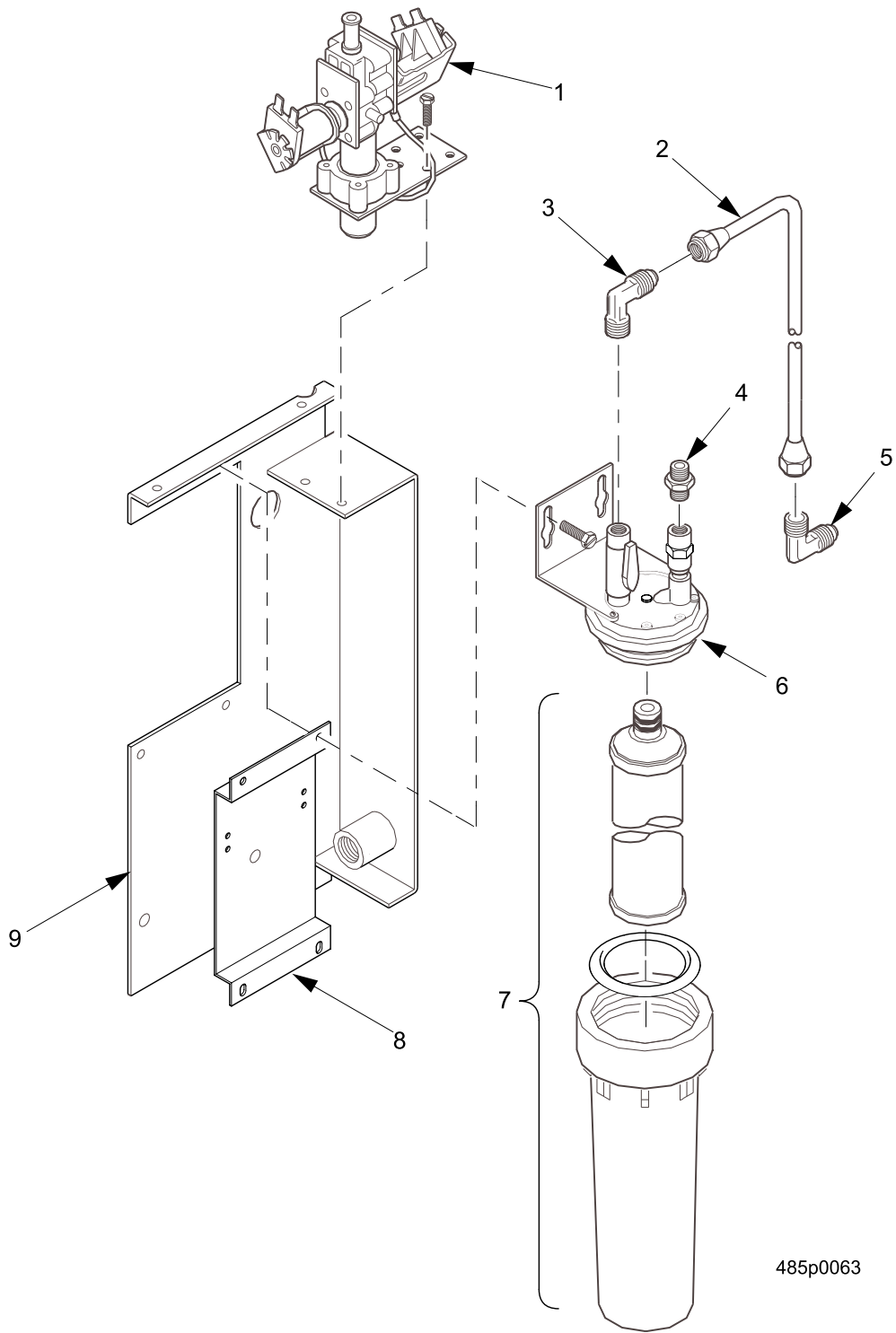
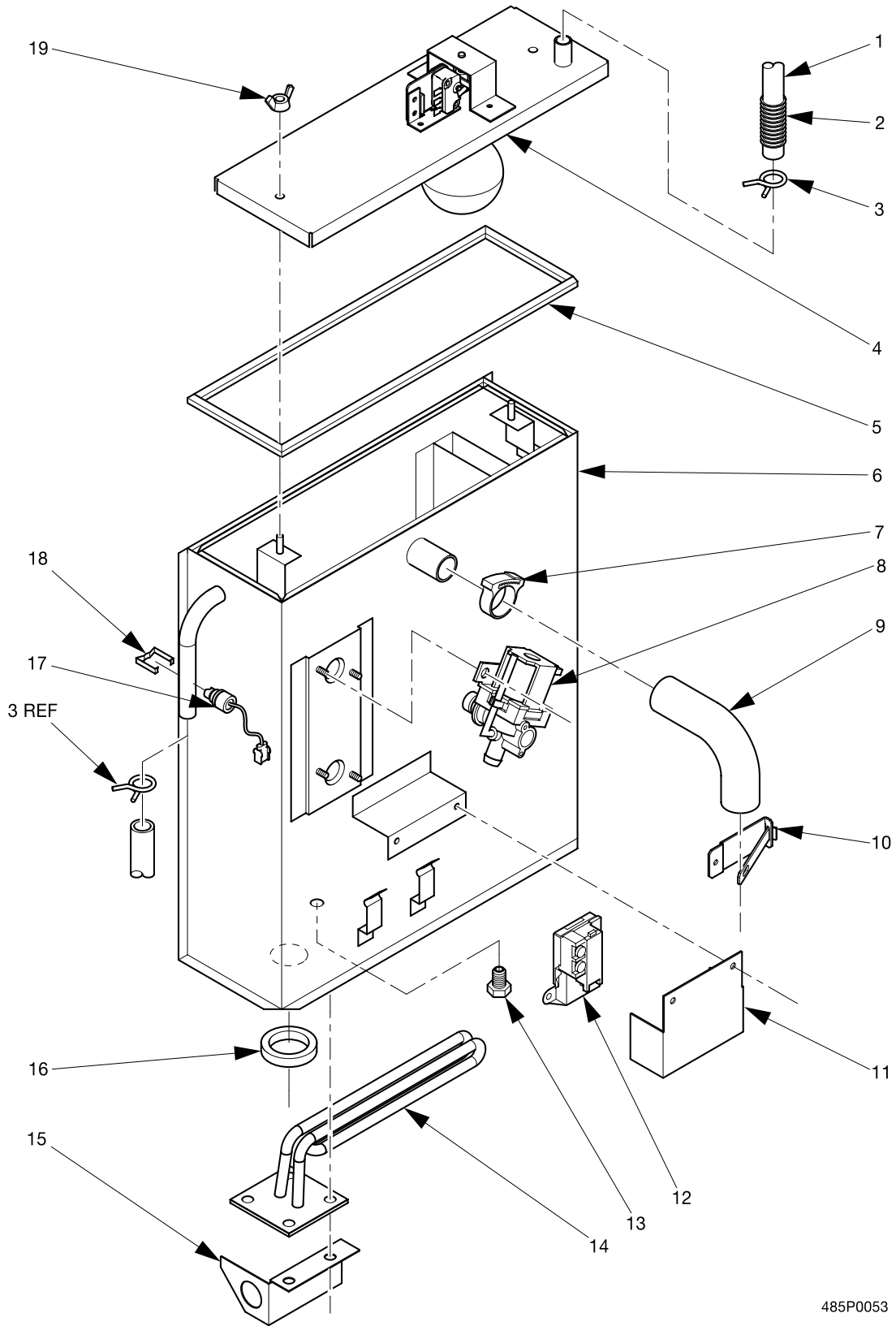


Figure 77. Water Inlet Assembly - Hydrolife Option

**TABLE 77. WATER INLET ASSEMBLY - HYDROLIFE OPTION**

INDEX	PARTNUMBER	DESCRIPTION	QTY.
1	3108045	VALVE K19146 N-42	1
2	4711007	COUPLING AND BRACKET ASSEMBLY	1
3	6151037	TUBE ASSEMBLY - CAB TO STRAINER	1
4	3128150	ELBOW - MALE COUPLING #49CE	2
5	3608201	NIPPLE - 3/8 NPTF - HEX #216P-6	1
6	6338027	HEAD AND BRACKET ASSEMBLY - HLV192-G6710	1
7	6408028	HOUSING - CARTRIDGE AND "O" RING - HLV192H	1
8	4781002	BRACKET - FILTER MOUNTING	1
9	4781003	COUPLING AND BRACKET ASSEMBLY	1

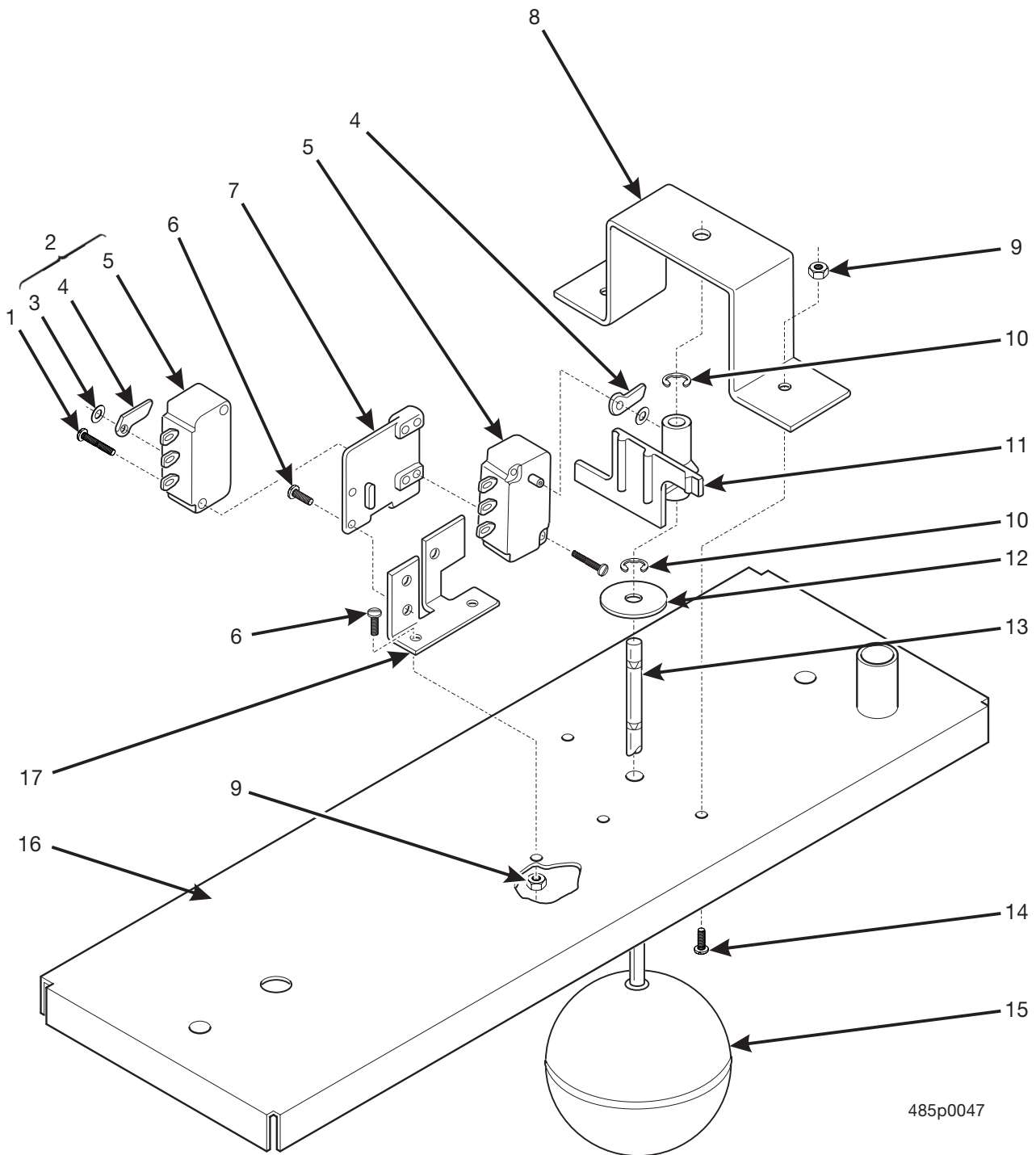


485P0053

Figure 78. Water Tank Assembly

**TABLE 78. WATER TANK ASSEMBLY**

INDEX	PART NUMBER	DESCRIPTION	QTY.
-	4858019	WATER TANK ASSEMBLY - 120 V	-
1	3106026	PLASTIC TUBING - 5/8 O D X 7/16	26 IN
	3618105	TUBING-U.K.SILICONE-.375 X.562	
2	3508126	COIL TUBE SUPPORT DRAIN	1
3	3106013	CLAMP - HOSE	2
4	4858023	LID ASSEMBLY - WATER TANK (SEE FIGURE 79 FOR DETAILS)	1
5	4858021	GASKET-H.W.T.	1
6	4858009	WELD ASSEMBLY - WATER TANK	1
7	6408125	CLAMP - TUBE	1
8	6238112	VALVE ASSEMBLY - HOT WATER TANK (SEE FIGURE 80 FOR DETAILS)	2
9	6408210	TUBE-6408208-5.0"	1
10	6408154	PINCH CLAMP ASSEMBLY	
11	6508044	COVER THERMOSTAT	
12	6508004	THERMOSTAT CONTROL	2
13	4751087	BUSHING PARKER #209P - 4 - 2	1
14	4751241	HEATER - 1200 WATTS - 120 V	1
15	4751177	COVER - HEATER TERMINAL	4
16	6508006	GASKET HEATER	1
17	6338003	THERMOSTAT ASSEMBLY - AUTO RESET	1
18	4858001	CLAMP - THERMOSTAT - 1/2 O.D.	1
19	6158053	WING NUT .250 - 20 ZINC DIE CAST	1



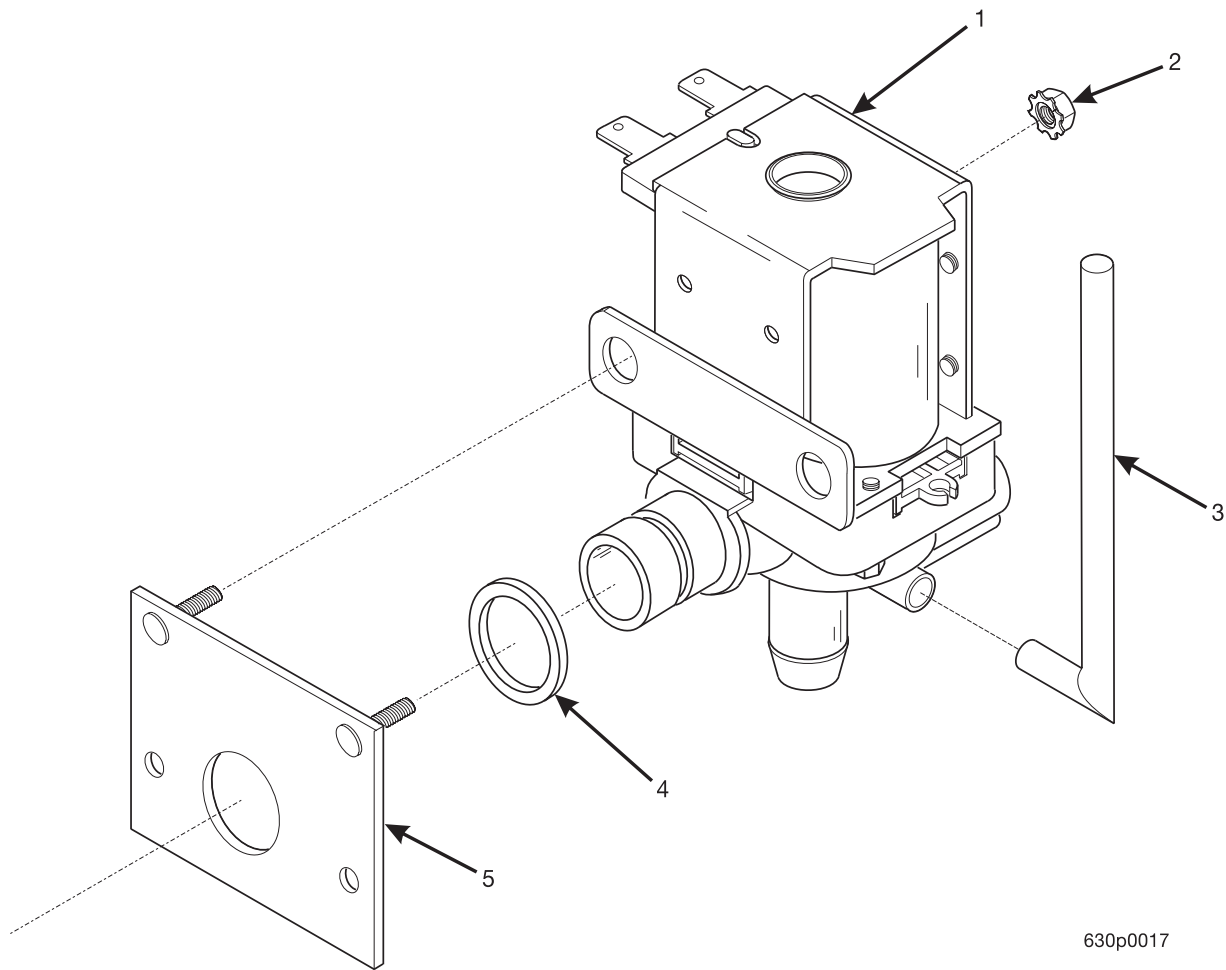
485p0047

Figure 79. Water Tank Lid Assembly



**TABLE 79. WATER TANK LID ASSEMBLY**

INDEX	PART NUMBER	DESCRIPTION	QTY.
-	4858023	LID ASSEMBLY - WATER TANK	-
1	5201349	SCREW #4 40 X 11/16 RHS	4
2	6138123	SWITCH ASSEMBLY WATER FEEDER (INCLUDES INDEX NUMBERS 3 - 5)	2
3	1217162	RETAINER - PUSH ON - .125	1
4	6138027	ACTUATOR - SWITCH	1
5	3108146	SWITCH	1
6	6138159	#6-32X1/4 RHS MACH SCREW TY3	4
7	6138004	PLATE MOUNTING SWITCH	1
8	6138180	BRACKET SHAFT	1
9	6104429	KEPS NUT # 6-32 S.S. EXT LW	4
10	6124073	RETAINING RING REINF E TYP.1	2
11	6138183	ACTUATOR SWITCH	1
12	6138181	WASHER PLATE	1
13	6208057	SHAFT-FLOAT	1
14	6107244	SCREW #6-32 X 9/16 PHS W/LW	2
15	6508033	FLOAT WATER TANK	1
16	4858018	WELD ASSEMBLY - LID - HOT WATER TANK	1
17	6138175	BRACKET SWITCH MOUNTING	1



630p0017

Figure 80. Valve Assembly - Hot Water Tank

**TABLE 80. VALVE ASSEMBLY - HOT WATER TANK**

INDEX	PART NUMBER	DESCRIPTION	QTY.
-	6238112	VALVE ASSEMBLY - HOT WATER TANK - 115 V	-
1	6338053	VALVE - HWT - PUR - 120 V - K56778-53	1
2	9900081	NUT - #8-32 KEPS - Z/P	2
3	6338054	VENT - ELBOW - SIEBE K72876	1
4	6238074	"O" RING - .48IDX.10	1
5	6238113	VALVE MOUNTING PLATE AND STUD ASSEMBLY	1

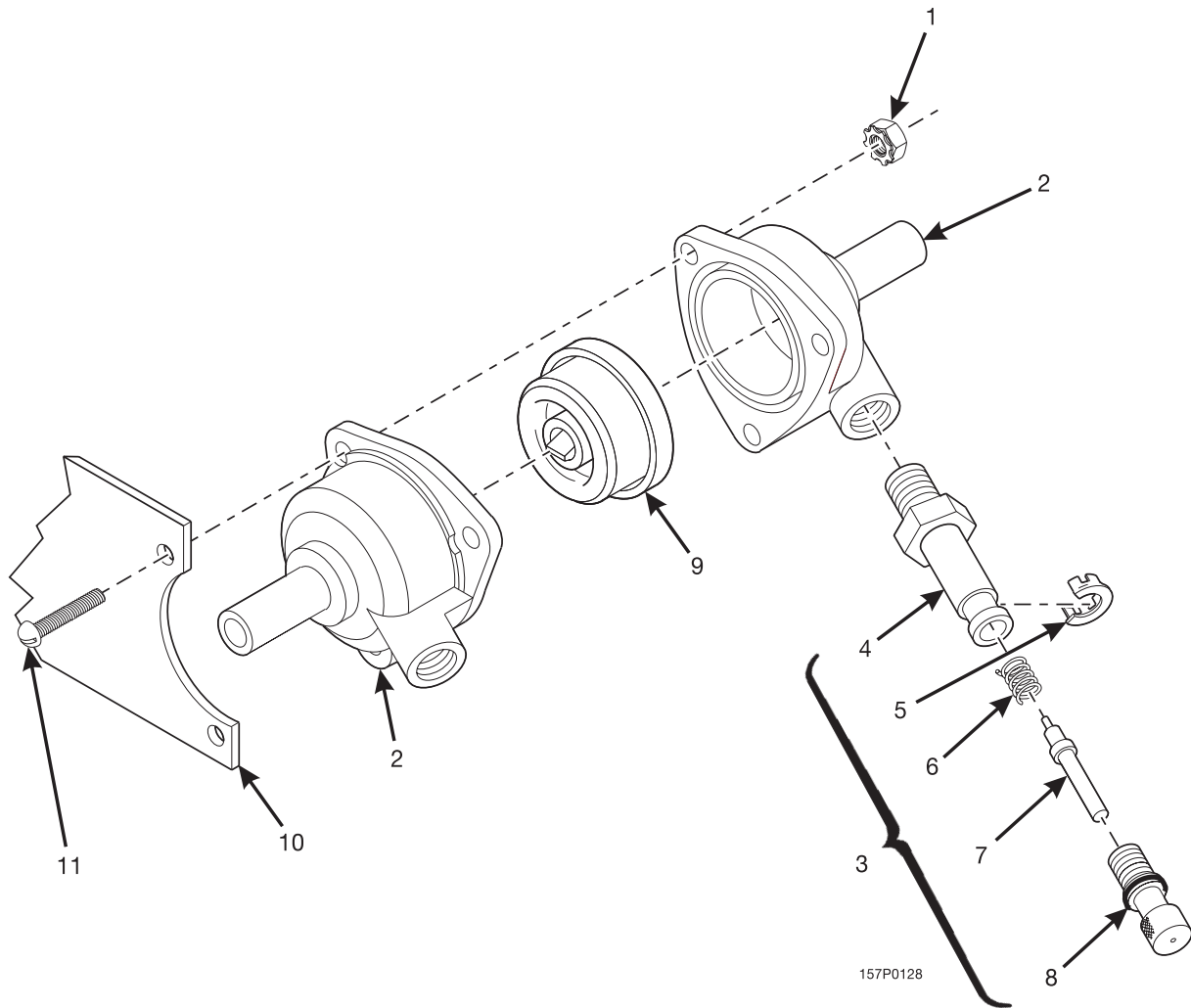


Figure 81. Bracket and Air Pressure Control Assembly

**TABLE 81. BRACKET AND AIR PRESSURE CONTROL ASSEMBLY**

INDEX	PART NUMBER	DESCRIPTION	QTY.
-	4751073	BRACKET AND CONTROL ASSEMBLY	-
1	9900081	NUT #8-32 KEPS ZINC PLATE	3
2	6154214	BODY - REGULATOR	2
3	6154284	CONTROL ASSEMBLY (CONTAINS INDEX NUMBERS 4 - 8)	1
4	6154288	BODY - PRESSURE CONTROL	1
5	6154285	RETAINER - ADJUSTER	1
6	6154286	SPRING - PRESSURE CONTROL	1
7	6154287	PLUNGER - PRESSURE CONTROL	1
8	6154289	ADJUSTER ASSEMBLY (WITH "O" RING 6154232)	1
9	6338023	DIAPHRAGM/DUCKBILL	1
10	4751051	BRACKET - MTG. - REGULATOR	1
11	9900115	SCREW #8-32 X 3/4 RHS	3

# Snackcombo III Parts Manual

**TABLE 82. WIRING DIAGRAM - POWER PANEL**

INDEX	PART NUMBER	DESCRIPTION
1	1579013	HARNESS - POWER PANEL - DOMESTIC
2	1579017	HARNESS - COIN HANDLING POWER

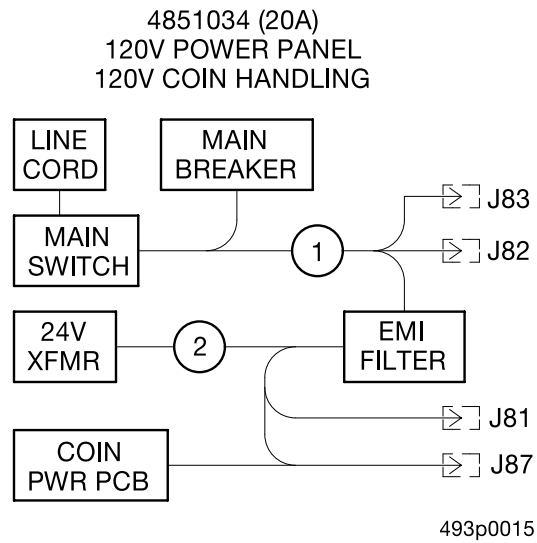


Figure 82. Wiring Diagram - Power Panel

**TABLE 83. POWER CORD**

<b>PART NUMBER</b>	<b>DESCRIPTION</b>	<b>USAGE</b>
4731169	POWER CORD ASSEMBLY - 115 VOLTS	USA LATIN AMERICA
9989526	LABEL - WARNING - POWER CORD - ENGLISH	USA
9989583	LABEL - WARNING - POWER CORD - MEXICO	MEXICO

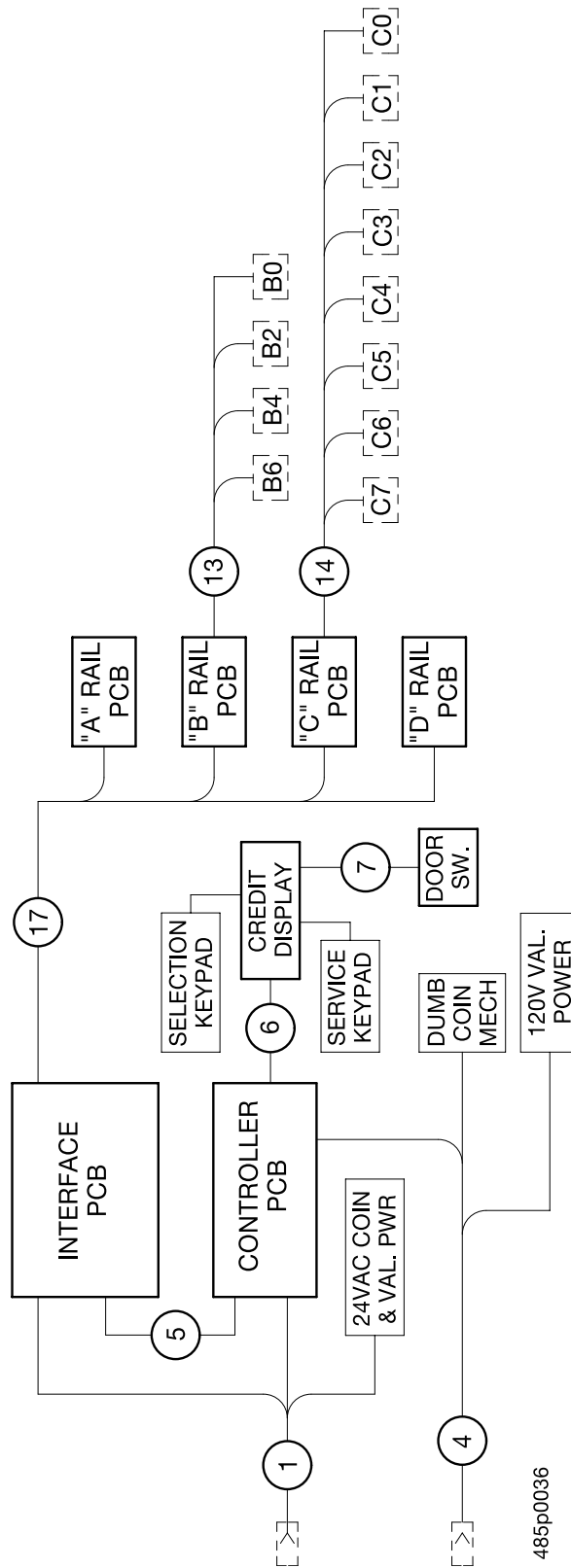


Figure 84. Wiring Diagram - 6-Tray Machine



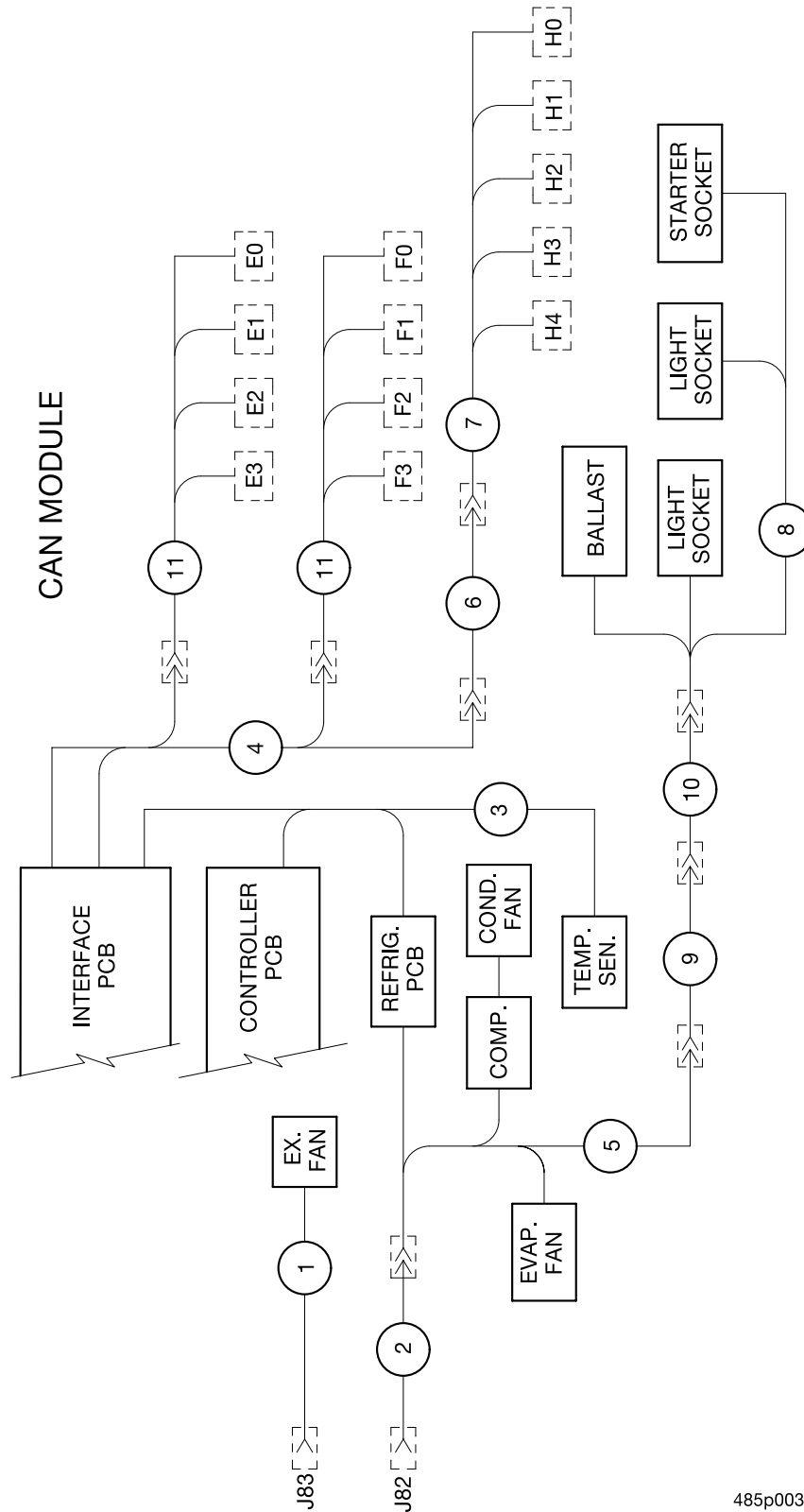
**TABLE 84. WIRING DIAGRAM - 6-TRAY MACHINE**

INDEX	PART NUMBER	DESCRIPTION
1	6339017	HARNESS - 24 V POWER
2	1579022	HARNESS - POWER PANEL TO FLUORESCENT LIGHT
3	1579021	HARNESS - POWER PANEL TO EXHAUST FAN
4	1579003	HARNESS - 120 V COIN HANDLING
5	1579008	16-CONDUCTOR RIBBON CABLE
6	1599200	HARNESS - CONTROL TO DISPLAY
7	1579009	JUMPER - DISPLAY TO DOOR SWITCH
8	1709015	HARNESS - FLUORESCENT LIGHT ASSEMBLY
9	1599009	HARNESS - 6 TRAY CHANNEL
10	1579024	PCB TO GUM AND MINT ASSEMBLY
11	1579024	HARNESS - GUM AND MINT MOTORS
12	1599016	HARNESS - 4 MOTOR TRAY
13	1599017	HARNESS - 5 MOTOR TRAY
14	1599018	HARNESS - 8 MOTOR TRAY
15	1599019	HARNESS - 10 MOTOR TRAY
16	1451124	120 V FLUORESCENT LIGHT FILTER
	6332010	230 V FLUORESCENT LIGHT FILTER



**TABLE 85. WIRING DIAGRAM - 3-TRAY MACHINE**

INDEX	PART NUMBER	DESCRIPTION
1	6339017	HARNESS - 24 V POWER
2	1579003	HARNESS - 120 V COIN HANDLING
3	1579008	16-CONDUCTOR RIBBON CABLE
4	6339017	CABLE - CONTROLLER TO DISPLAY
5	1579009	JUMPER - DISPLAY TO DOOR SWITCH
6	1599017	HARNESS - 5 MOTOR TRAY
7	1599018	HARNESS - 8 MOTOR TRAY
8	1599010	HARNESS - 3 TRAY CHANNEL

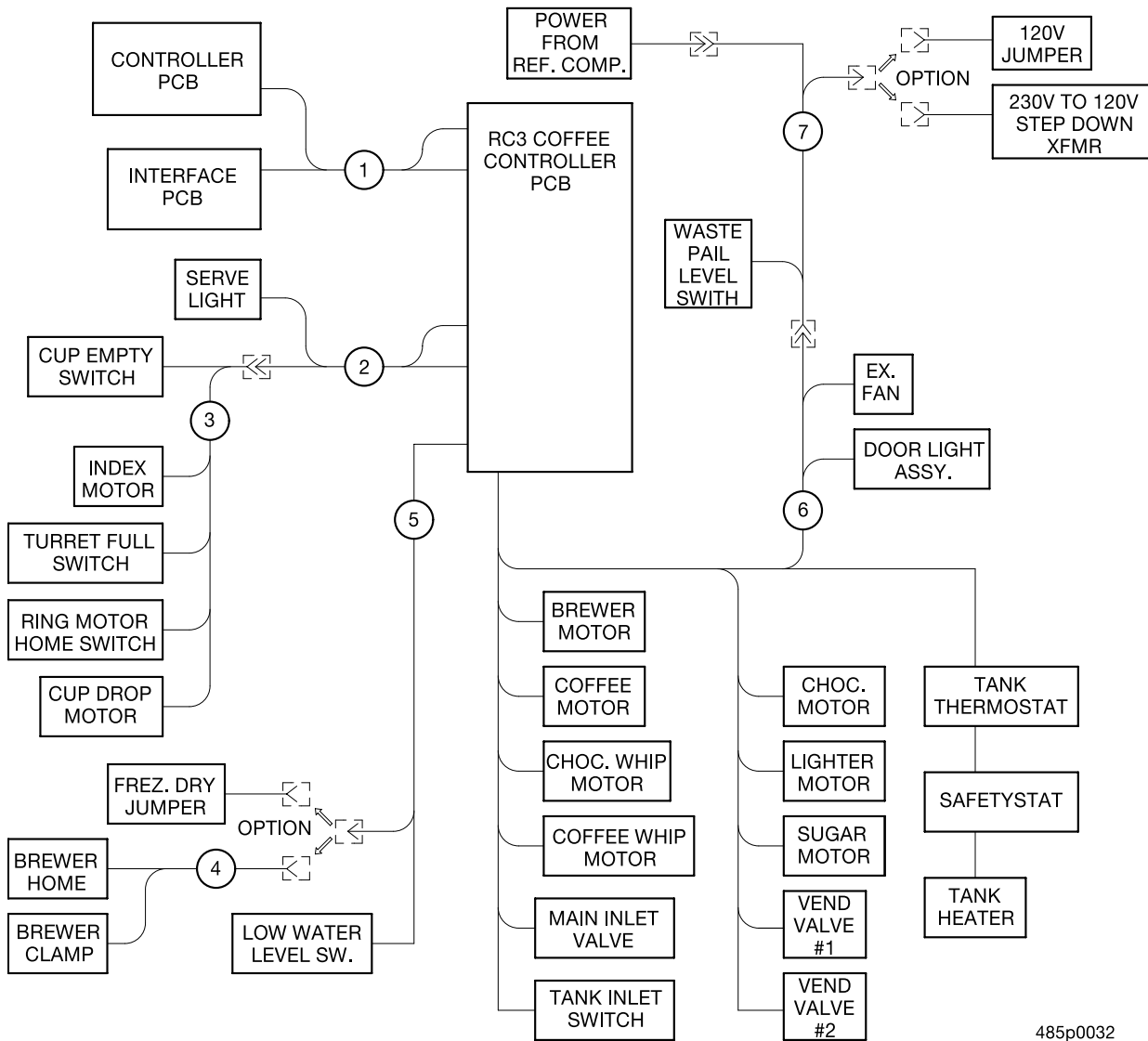


485p0031

Figure 86. Wiring Diagram - Can Module

**TABLE 86. WIRING DIAGRAM - CAN MODULE**

INDEX	PART NUMBER	DESCRIPTION
1	1579021	HARNESS - POWER PANEL TO EXHAUST FAN
2	4849002	HARNESS - POWER TO COMPRESSOR
3	4849020	HARNESS - PCB TO CAN COMPRESSOR
4	4974023	HARNESS - CAN MODULE TO PCB
5	4859002	HARNESS - COMPRESSOR
6	4849004	JUMPER - GUM AND MINT TO CAN
7	1579012	HARNESS - GUM AND MINT MOTORS
8	1709015	HARNESS - FLUORESCENT LIGHT ASSEMBLY
9	4849003	JUMPER - COMPRESSOR TO DOOR LIGHT
10	1451124	FLUORESCENT LIGHT FILTER - 120 V
	6332010	FLUORESCENT LIGHT FILTER - 230 V
11	4849028	HARNESS - CAN MODULE MOTORS



485p0032

Figure 87. Wiring Diagram - Hot Drink Section

**TABLE 87. WIRING DIAGRAM - HOT DRINK SECTION**

<b>INDEX</b>	<b>PART NUMBER</b>	<b>DESCRIPTION</b>
1	4859002	HARNESS - COMM. AND D.C. POWER
2	4859001	HARNESS - PCB TO CUP MECHANISM
3	4733039	HARNESS - CUP MECHANISM
4	4731096	HARNESS - BREWER POSITION SWITCHES
5	4859003	HARNESS - PCB TO BREWER
6	4859000	HARNESS - CABINET A.C.
7	4859005	HARNESS - A.C. POWER AND WASTE PAIL

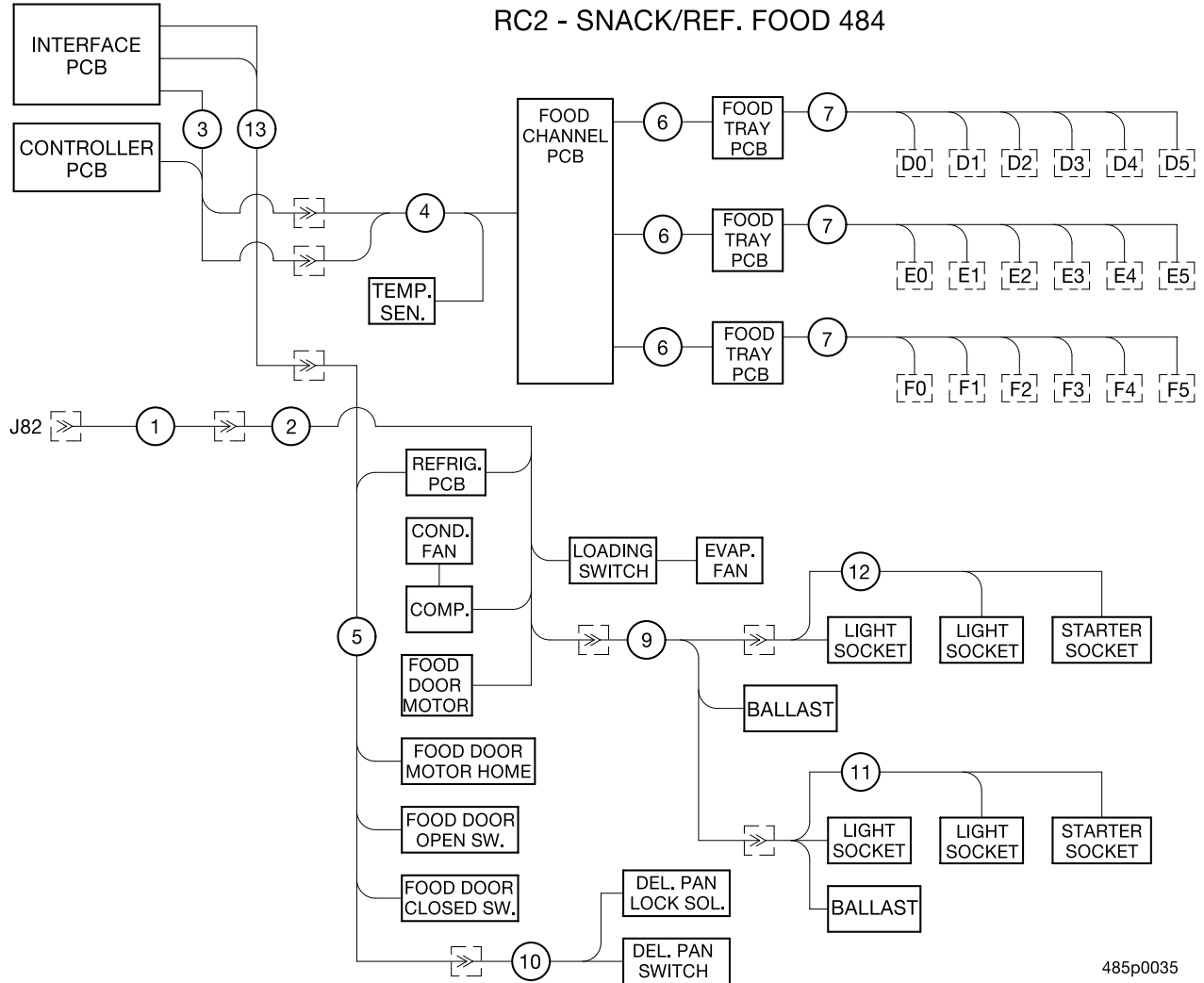


Figure 88. Wiring Diagram - Snack With Refrigerated Food Module



**TABLE 88. WIRING DIAGRAM - SNACK WITH REFRIGERATED FOOD MODULE**

INDEX	PART NUMBER	DESCRIPTION
1	4849002	HARNESS - POWER TO COMPRESSOR
2	4849022	HARNESS - FOOD MODULE A.C.
3	4849014	HARNESS - PCB TO FOOD CHANNEL
4	4407009	JUMPER - CHANNEL PCB TO CABINET
5	4979008	HARNESS - FOOD MODULE D.C.
6	4402010	FLEX CABLE - FOOD MODULE
7	4407501	HARNESS - 6 MOTOR FOOD MODULE TRAY
8	4849023	HARNESS - FROZEN FOOD A.C.
9	4979009	HARNESS - COMPRESSOR TO DOOR LIGHTS
10	4849027	HARNESS - DELIVERY PAN LOCK ASSEMBLY
11	1709015	HARNESS - DOOR LIGHT
12	4849008	HARNESS - SIDE LIGHT ASSEMBLY
13	4979007	HARNESS - PCB TO FOOD MODULE D.C.

# Snackcombo III Parts Manual

**TABLE 89. TUBING**

PART NUMBER	DESCRIPTION
3106026	PLASTIC TUBING - 5/8 O D X 7/16
3108052	TUBING - PLASTIC - 5/8 OD X 3/8 ID (485)
3128041	TUBING - PLASTIC - .750D X .50ID (485)
3618020	TUBING - PLASTIC - 1.125 OD X 0.875 (485)
3618020	TUBING - PLASTIC - 1.125 OD X .875
3618105	TUBING - U.K. - SILICONE - .375 X.562
4731173	TUBE - CABINET TO STRAINER
4744535	TUBE - DRAIN
4761025	HOSE - EXHAUST - 43 IN (486)
6118106	TUBING - PLASTIC - 1/4 OD X 1/8 ID
6134197	TUBE - AIR JET (485)
6137109	HOSE - EXHAUST - 8 FT
6157083	TUBE - DISPENSING (485)
6197013	HOSE - EXHAUST - 28.0 IN (485)
6208037	TUBING - SILICONE - .250 IDX.437
6238014	TUBE - DRAIN - WATER TANK
6338021	TUBING - SILICONE - .375 IDX.562
6408208	TUBE - SILICONE - .875 I.D.X 1.063
6508075	TUBE - OVERFLOW - WATER TANK

**TABLE 90. MONEY BOX LOCK ACCESSORY**

PART NUMBER	DESCRIPTION	QTY.
1101906	MONEY BOX LOCK #1801, KA NV407 (NOT SHOWN)	1
2221920	KEY - CHICAGO LOCK #1801, NV 407 (NOT SHOWN)	1
2222603	NUT - LOCK RETAINING (NOT SHOWN)	1
2222604	WASHER - LOCK BARREL - #2693 (NOT SHOWN)	1

**TABLE 91. ACCESSORIES (DOOR LOCK GUARD)**

INDEX	PART NUMBER	DESCRIPTION	QTY.
1	2222031	TEE BOLT - TRIM	4
2	1572186	DOOR LOCK GUARD	1
3	9900081	NUT - #8-32 KEPS ZINC PLATE	4

**Note: Holes must be drilled to install this accessory. Instructions include drilling template.**

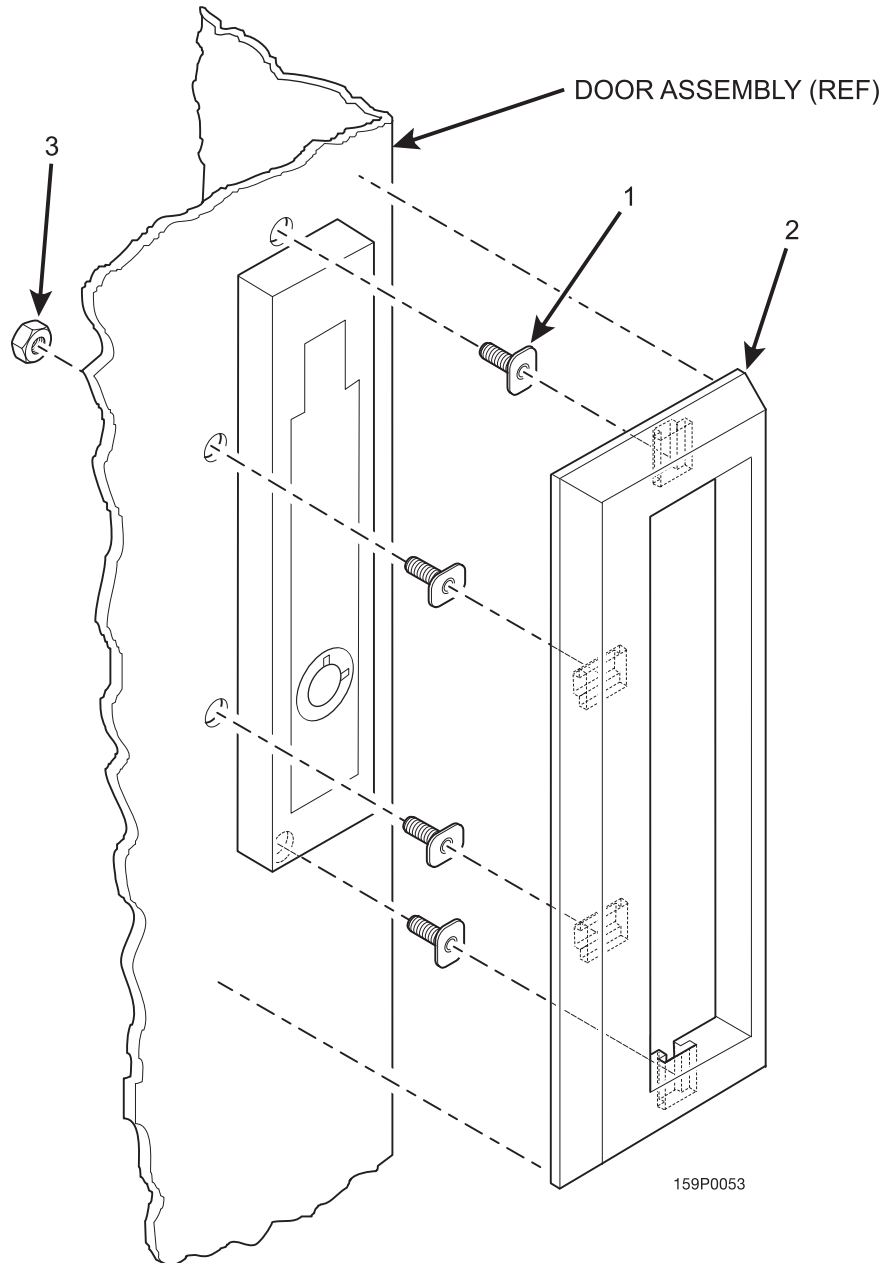
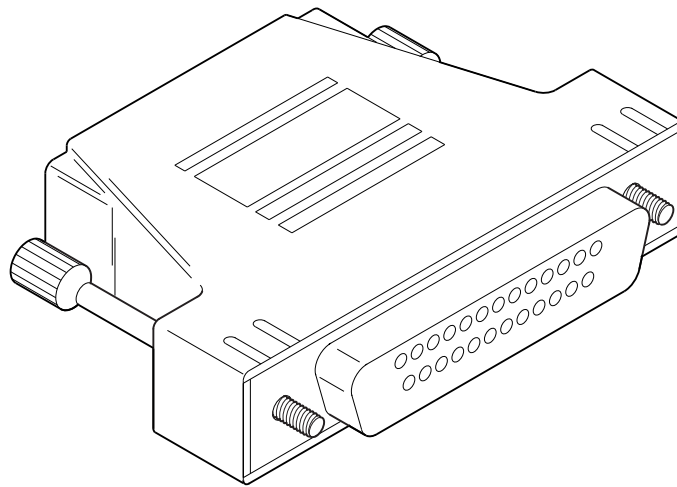


Figure 91. Accessories (Door Lock Guard)

**1579018**  
**RS232 PRINTER INTERFACE HARNESS**



**9984516**  
**FEMALE MODULAR ADAPTER**



**1579019**  
**DEX PRINTER INTERFACE HARNESS**



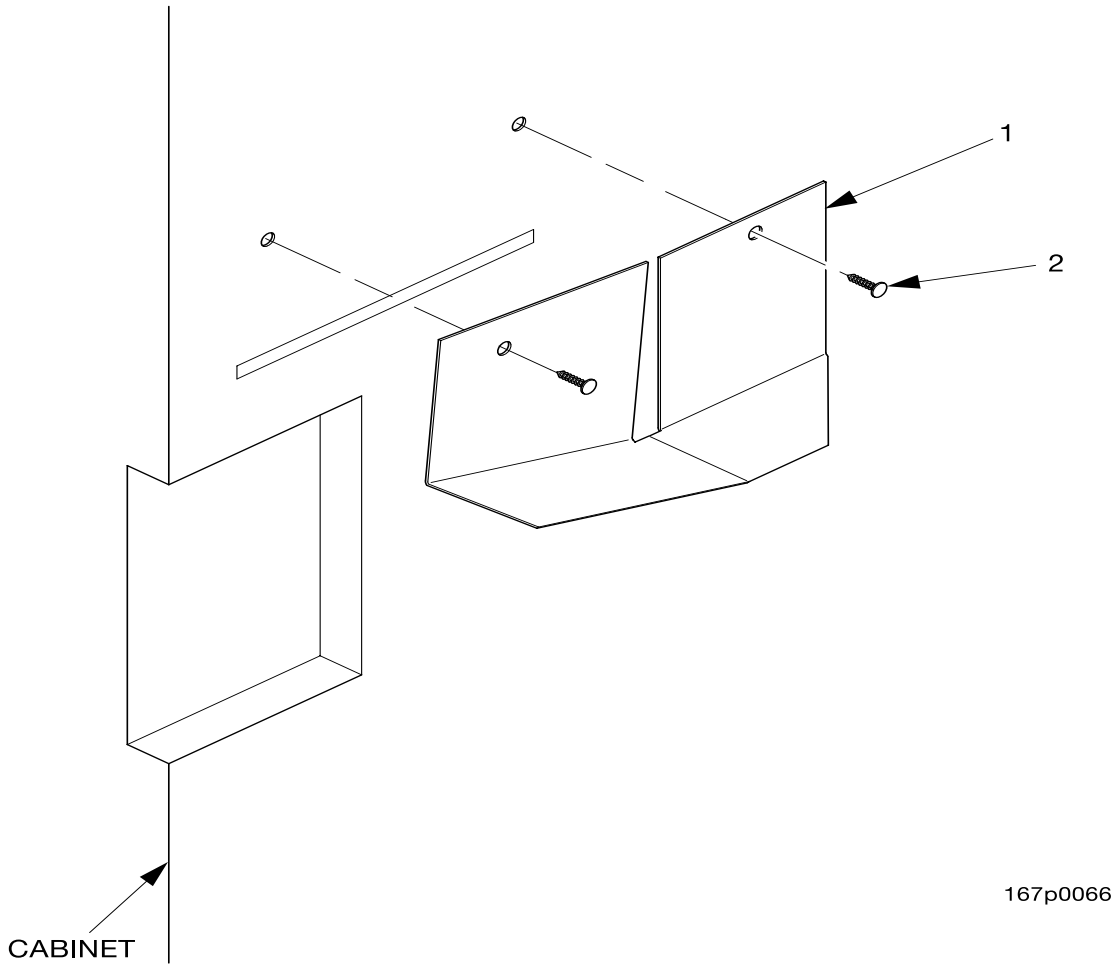
**1709018**  
**TRAY EXTENSION HARNESS**



Figure 92. Accessories (Harnesses)

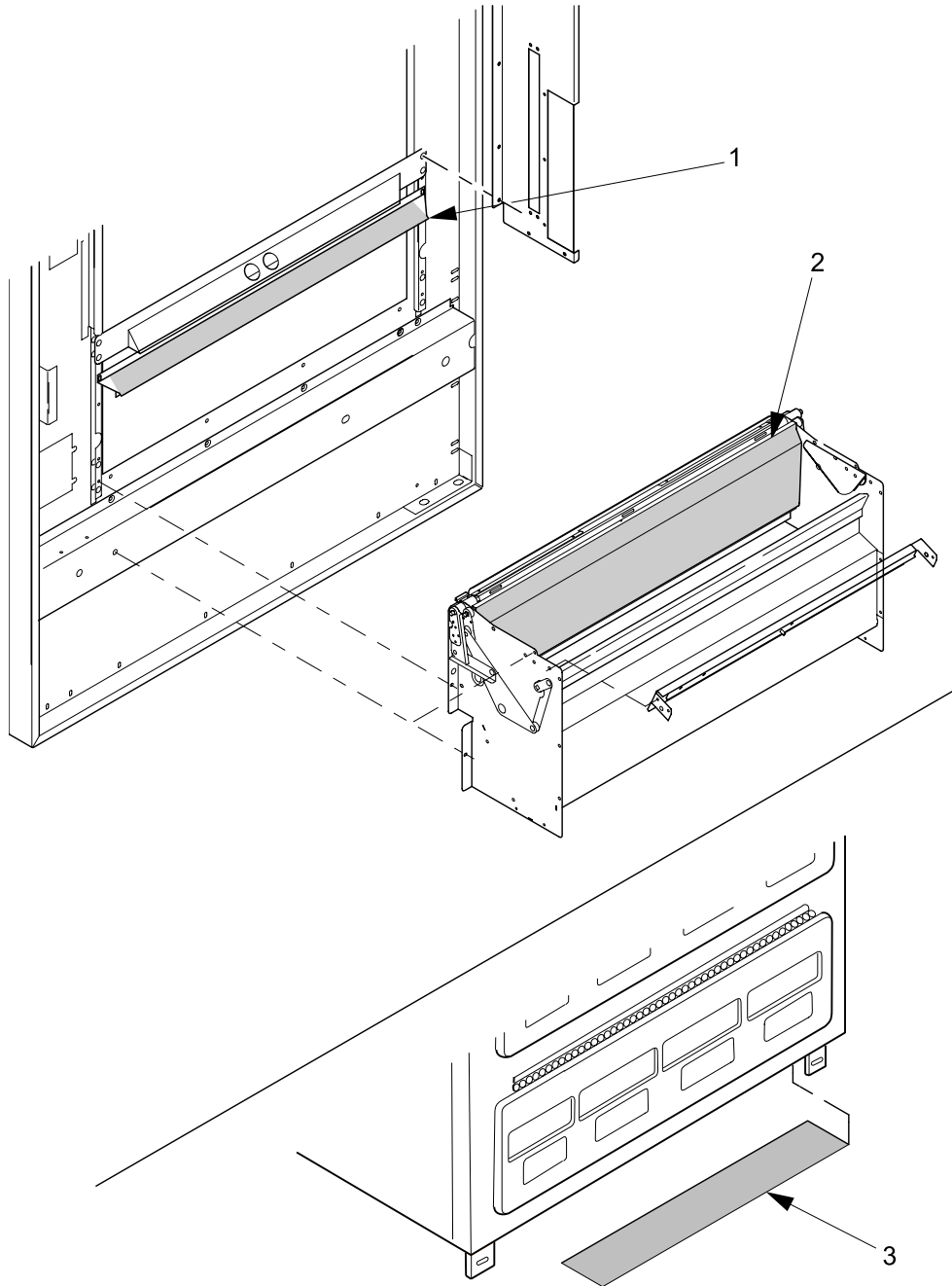
**TABLE 92.**

INDEX	PART NUMBER	DESCRIPTION	QUANTITY
1	1681058	DEFLECTOR - UPPER LHS - PLASTIC	1
2	2342044	CLIP - CHRISTMAS TREE	2



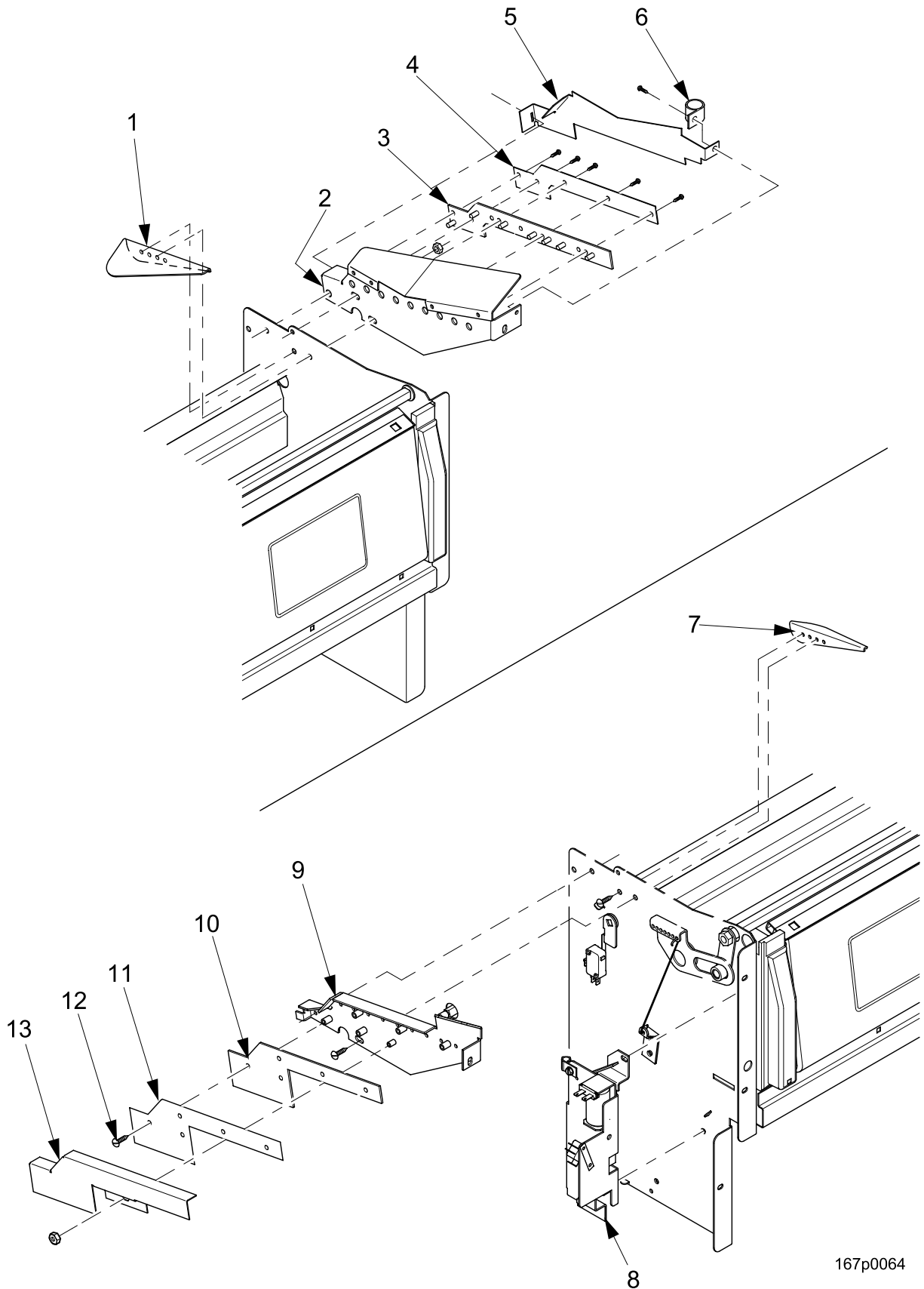
**TABLE 93.**

INDEX	PART NUMBER	DESCRIPTION	QUANTITY
1	7971014	OVERLAY NON - REFL UPPER DEFLECTOR	1
1	7971015	OVERLAY NON - REFL LOWER PILFER DR	1
1	'7841017	OVERLAY NON - REFLECTIVE - 8 SELECT CAN	



167p0063

# Snackvendor Models 490 - 493 Parts Manual



167p0064

# Snackvendor Models 490 - 493 Parts Manual

**TABLE 94.**

INDEX	PART NUMBER	DESCRIPTION	QUANTITY
1	1672044	COVER - PCB - RH	1
2	1672051	PAPER BACKING - RH. PCB	1
3	1726001	PCB ASSEMBLY - PRODUCT DET. - EMITTER - GPL	1
4	1672032	SENSOR BRACKET ASSEMBLY - RT	1
5	1672038	DEFLECTOR - INNER - RH - FLT "T" BLK	1
6	1452139	RETAINER HARNESS	--

**TABLE 95.**

INDEX	PART NUMBER	DESCRIPTION	QUANTITY
1	1672029	SENSOR BRACKET - ASSEMBLY - LT	1
2	1726000	PCB ASSEMBLY - PRODUCT DET. EMITTER - GPL	1
3	1672050	PAPER BACKING - LT. PCB	1
4	5262216	SCREW - #6 - 32 X 1/4" PPHD M SCR	--
5	1672043	COVER - PCB LH	1
6	7970004	KIT - LOCK SOLENOID - FOOD MODULE	1
7	1672039	DEFLECTOR - INNER - LH FLT "T" BLK	1



# Snackvendor Models 490 - 493 Parts Manual

**TABLE 96.**

INDEX	PART NUMBER	DESCRIPTION	QUANTITY
1	1672032	SENSOR BRACKET - ASSEMBLY - RT	1
2	1726000	PCB ASSEMBLY - PRODUCT DET. RECEIVER - GPL	1
3	1672051	PAPER BACKING - RT. PCB	1
4	5262216	SCREW #6 - 32 X 1/4" PPHD M SCR.	--
5	7852000	COVER - PCB - RH (COFFEE MODULE ONLY)	1
6	7852001	DEFLECTOR - RT - PLASTIC (COFFEE MODULE ONLY)	1

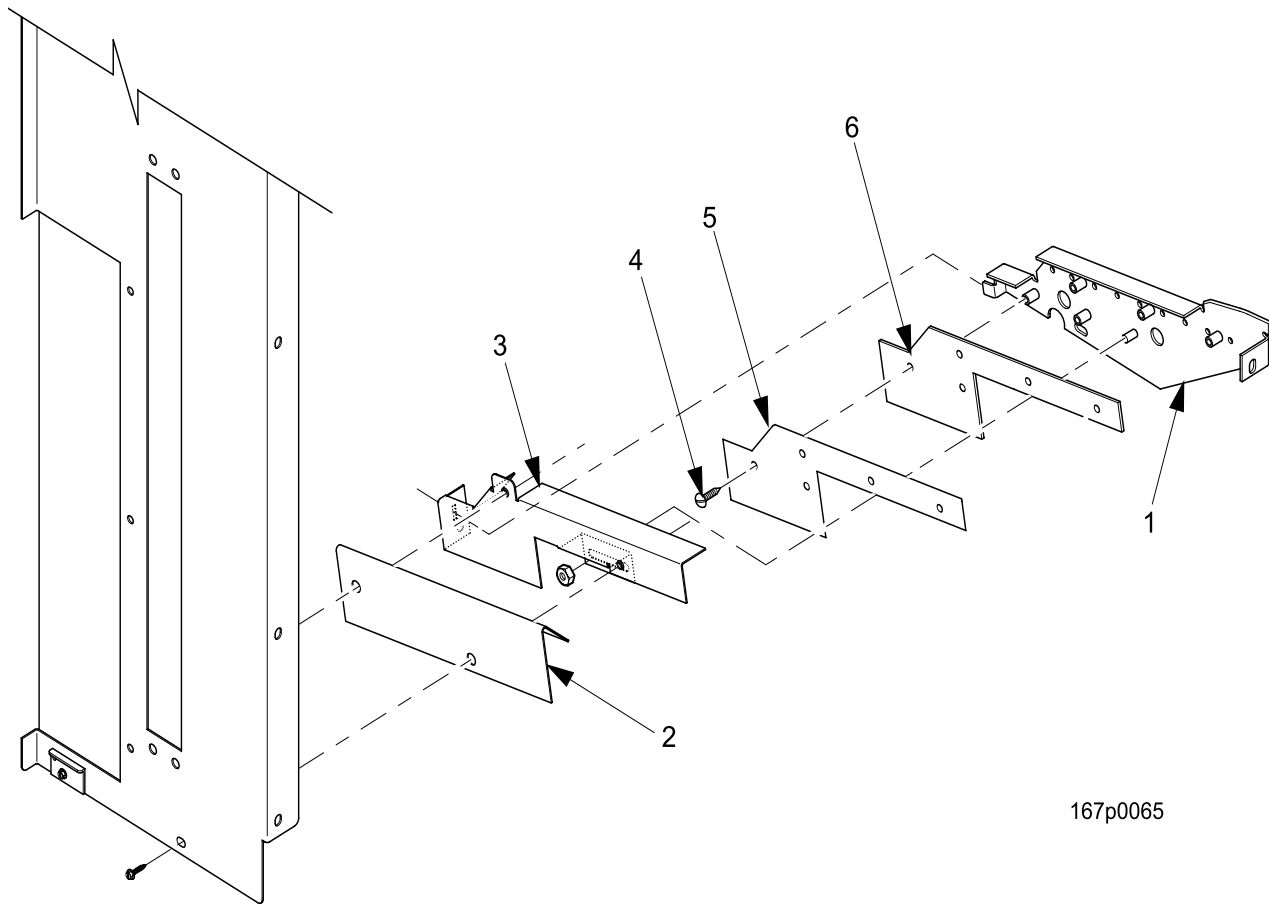
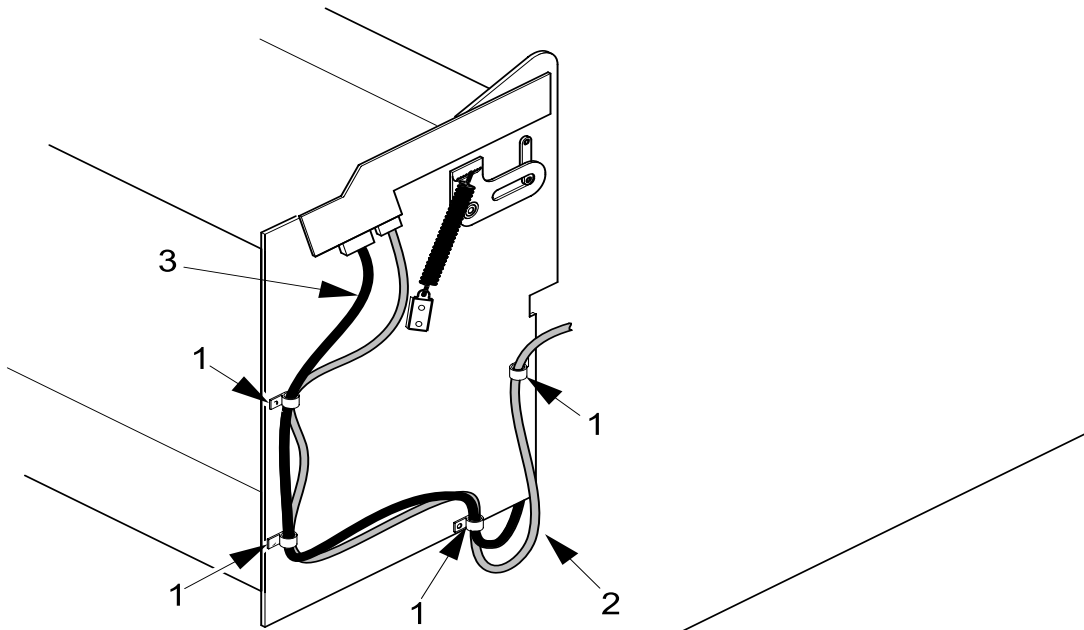
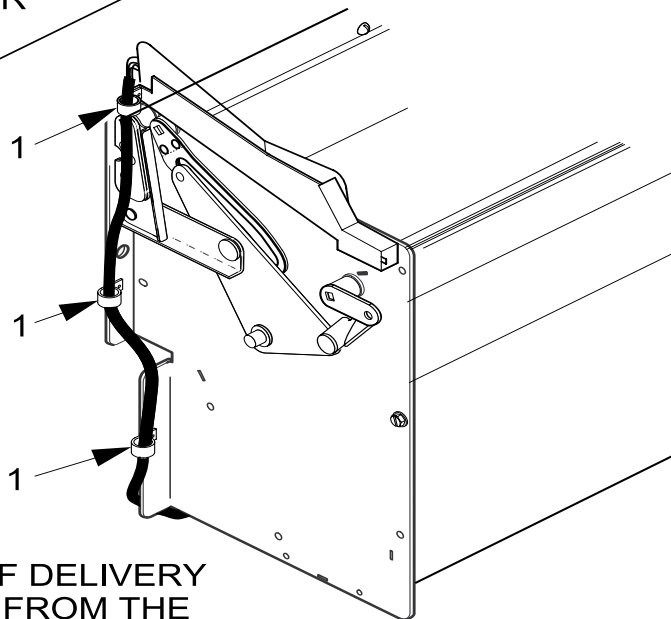


TABLE 97.

INDEX	PART NUMBER	DESCRIPTION	QUANTITY
1	4732024	RETAINER - HARNESS	--
2	1679012	HARNESS - MAIN CONTROLLER TO SENSOR	1
3	1679013	HARNESS - EMITTER TO DETECTOR	1



HINGE SIDE OF DELIVERY PAN VIEWED FROM THE INTERIOR OF DOOR



LOCK SIDE OF DELIVERY PAN VIEWED FROM THE INTERIOR OF DOOR

167p0067

## Supplement to 49300029: posi-vend™ Operation (Optional)

This document will explain the operation and usage of the posi-vend™ guaranteed product delivery system for GPL spiral vendors. A series of “electric eyes” is mounted on the delivery pan. When a product drops into the delivery pan, it breaks the beam of the “electric eye”, telling the controller that a product has been delivered. If a selection is made and the spiral makes one complete revolution without delivering a product, the controller will command the spiral to turn until a product is delivered, up to three times. After that, the customer’s money is refunded.

Your posi-vend™ guaranteed product delivery system is completely factory set, with no user programmable functions. However, some additional diagnostic messages may appear if there is a malfunction in the system.

If the posi-vend™ PCB is not working properly, or a main delivery area is blocked, or the posi-vend™ PCB is not detected by the controller, all posi-vend™ functions are ignored and the merchandiser reverts to normal home switch operation.

### Note:

A blocked gum & mint posi-vend™ sensor does not affect the status of posi-vend™ for snack tray selections.

A blocked gum & mint posi-vend™ sensor will cause the merchandiser to revert to home switch operation for food module selections.

### Motor Operation Under posi-vend™

If posi-vend™ is working the motor will stop at the home switch position if the spiral has gone less than one revolution without passing home when the product is detected.

If posi-vend™ is working the motor will stop immediately when a product is detected provided the motor has gone past home at least one time. The motor will temporarily pause at each home switch position before continuing. (See can and gum&mint exceptions.)

If posi-vend™ is working but product delivery is not detected, the motor will stop the third time it enters the home switch position. The vend fails and credit is returned.

Gum & Mint vends are not complete until the product is detected then leaves the posi-vend™ sensor path. This protects against products jamming in the gum & mint delivery area.

Can selections will attempt only one vend before failing if product is not detected.

Any selection that fails under posi-vend™ will be put out-of-service and will generate an *EMPTY* diagnostic as described below. These out-of-service conditions apply even if posi-vend™ subsequently becomes non-operational. These out-of-service conditions are automatically reset at time-of-service based upon the closure of the main door.

If ten selections go *EMPTY* posi-vend™ will enter its anti-jackpot mode and all motors revert to home switch operation until the main door is opened and closed.

### posi-vend™ Diagnostics

The following diagnostics may appear in the diagnostic list:

*POSI.VD X* if posi-vend™ detects a blockage of LED "x" counted from the front of the machine. "x" = "H" for the gum & mint sensor. Press **H** to see the realtime calibration values

*POSI.VD CAL* if posi-vend™ detects a calibration error. Press **H** to see the realtime calibration values. The display will show the real-time calibration values for each of the 10 posi-vend™ zones. These are generally grouped in pairs corresponding to the emitter under test. The calibration determines the minimum amount of intensity from the posi-vend™ infrared emitters that is needed for detection. A safety margin of 3) is added and is displayed. Interpret "A" - "F" as the numbers "10" - "15".

1. A value of "0" indicates the detector is shorted and is a fatal error;
2. A value of "1" indicates the detector cannot see the emitter within the allowable calibration values;
3. Values "2" through "9" are normal;
4. Values above "9" may indicate dirty or misaligned sensors.
5. Values that change by more than a magnitude of 2 may indicate mechanical problems with the posi-vend™ alignment or dirty sensors.

*EMPTY AA* is shown when posi-vend™ did not detect product delivery from selection "aa". This diagnostic will be cleared when the main door closes. Those selections will be returned to service. This data is an indication of the number of posi-vend™ failures which returned the customer's credit.

*POSI.VD OFF FOR ANTI.JP* is shown if 10 selections go *EMPTY* since the last main door closure. posi-vend™ is disabled and operation reverts to home switches until the main door closes.

eps/4930029.eps4930029 i  
eps/493p0012.eps4930029 i  
eps/493p0012.eps4930029 1  
eps/493p0016.eps4930029 2  
eps/467p0002.eps4930029 4  
eps/157p0119.eps4930029 6  
eps/493p0017.eps4930029 8  
eps/493p0018.eps4930029 10  
eps/157p0277.eps4930029 12  
eps/157p0243.eps4930029 14  
eps/159p0065.eps4930029 16  
eps/159p0065.eps4930029 18  
eps/159p0008.eps4930029 20  
eps/159p0008.eps4930029 22  
eps/467P0007.eps4930029 24  
eps/467P0008.eps4930029 26  
eps/639p0064.eps4930029 32  
eps/485P0007.eps4930029 34  
eps/159p0062.eps4930029 36  
eps/485p0030.eps4930029 38  
eps/493P0020.eps4930029 40  
eps/493p0019.eps4930029 46  
eps/159p0045.eps4930029 48  
eps/157p0242.eps4930029 50  
eps/493p0014.eps4930029 53  
eps/497p0093.eps4930029 54  
eps/157P0269.eps4930029 58  
eps/485p0016.eps4930029 60  
eps/485p0017.eps4930029 62  
eps/159p0035.eps4930029 64  
eps/493p0022.eps4930029 66  
eps/159p0038.eps4930029 68  
eps/485p0022.eps4930029 70  
eps/157p0181.eps4930029 72  
eps/157p0090.eps4930029 74  
eps/157p0096.eps4930029 76  
eps/485p0025.eps4930029 80  
eps/157p0194.eps4930029 82  
eps/157p0211.eps4930029 86  
eps/157p0195.eps4930029 88  
eps/157p0197.eps4930029 90  
eps/157p0203.eps4930029 92  
eps/157p0217.eps4930029 94  
eps/157p0219.eps4930029 96  
eps/157p0223.eps4930029 98  
eps/157p0204.eps4930029 100

eps/157p0206.eps4930029 102  
eps/157p0207.eps4930029 104  
eps/157p0209.eps4930029 106  
eps/157p0091.eps4930029 108  
eps/157p0167.eps4930029 110  
eps/157p0149.eps4930029 112  
eps/485p0050.eps4930029 114  
eps/485P0051.eps4930029 116  
eps/493P0013.eps4930029 118  
eps/157p0114.eps4930029 120  
eps/485p0038.eps4930029 122  
eps/157p0106.eps4930029 124  
eps/157p0111.eps4930029 126  
eps/157p0121.eps4930029 128  
eps/157p0109.eps4930029 130  
eps/157p0095.eps4930029 132  
eps/157p0095.eps4930029 132  
eps/157p0108.eps4930029 136  
eps/157p0107.eps4930029 138  
eps/485p0041.eps4930029 140  
eps/485p0042.eps4930029 142  
eps/157p0101.eps4930029 144  
eps/485p0043.eps4930029 146  
eps/485p0044.eps4930029 148  
eps/485p0044.eps4930029 148  
eps/485p0045.eps4930029 152  
eps/485p0046.eps4930029 154  
eps/485p0048.eps4930029 156  
W:/EPS\_Exports/485p0063.eps4930029 158  
eps/485P0053.eps4930029 160  
eps/485p0047.eps4930029 162  
eps/630p0017.eps4930029 164  
eps/157p0128.eps4930029 166  
eps/493P0015.eps4930029 168  
eps/485P0036.eps4930029 170  
eps/485P0037.eps4930029 172  
eps/485p0031.eps4930029 174  
eps/485p0032.eps4930029 176  
eps/485P0035.eps4930029 178  
eps/159p0053.eps4930029 181  
eps/1579018.eps4930029 182  
eps/9984516.eps4930029 182  
eps/1579019.eps4930029 182  
eps/1709018.eps4930029 182  
W:/EPS\_Exports/167p0066.eps4930029 183  
W:/EPS\_Exports/167p0063.eps4930029 184

W:/EPS\_Exports/167p0064.eps4930029 185  
W:/EPS\_Exports/167p0065.eps4930029 187  
W:/EPS\_Exports/167p0067.eps4930029 188