

MODEL 28 SLIM GEM
GLASS FRONT MERCHANDISER
ILLUSTRATED PARTS MANUAL

LO125, REV. A

AUTOMATED MERCHANDISING SYSTEMS INC
255 WEST BURR BLVD.
KEARNEYSVILLE, WV 25430
304-725-6921 - Fax 304-725-6983

info@amsvendors.com
www.amsvendors.com

INTERNATIONAL A.M.S. S DE RL DE CV
KM. 9 CARR. AL CASTILLO NO. 8200
MPIO. DE EL SALTO, JAL. MEXICO 45680
5233-3-6-88-07-17 - Fax 5233-3-6-88-13-14

www.amsint.com.mx
servicio@amsint.com.mx

AMS Glass Front Merchandiser
Model 28-SLIM GEM
Illustrated Parts Manual

Table of Contents

| <u>SECTION</u> | <u>PAGE</u> |
|----------------------------------|-------------|
| INTRODUCTION | |
| Table of Contents | 3 |
| General Introduction | 5 |
| Manual Organization | 5 |
| Merchandiser Identification | 6 |
| Patent Disclosure | 7 |
| Publication Notice | 7 |
| CABINET DOOR | 8 |
| HOPPER | 12 |
| CABINET | 14 |
| Base Plate | 16 |
| CONTROL BAY DOOR | 18 |
| RIGHT RAIL MOUNT | 20 |
| LEFT RAIL MOUNT/ LIGHTING | 24 |
| TRAYS AND PARTS | 26 |
| ELECTRICAL HARNESSSES | 28 |
| HELIXES | 40 |

GENERAL INTRODUCTION

The purpose of this manual is to give our customers a way of identifying major service parts for repair and replacement. The illustrations and parts list in this manual are for identification only. Some optional parts are also shown.

Illustrations of these major parts are keyed with our part numbers. The illustrations help identify the general design, position and orientation of these parts. The note section may also give important information.

Please refer to the section on merchandiser identification on the following pages. Without the model style and serial number it may be difficult to identify the required part.

Parts should be ordered from your distributor.

It is our intent to assist our customers with up-to-date documentation. However, this manual may not show all parts, variations or changes. Some parts may be shown out of scale. This manual is itself subject to change without notice. If any errors are found, please notify AMS so the correction can be included in later revisions. Engineering data and third party information are generally not included. The graphical data, group assembly data, parts, part assembly, parts breakout information and tabular data conveyed by this manual is proprietary and belongs to AMS, and holders without prior consent of or without knowledge of and by AMS must surrender this data immediately.

All measurements are in inches except where specified as Metric.

MANUAL ORGANIZATION

This manual is divided into general sections. Each section is further divided into the various subsections or subassemblies. These lead off with one or more illustrations showing the parts and each part is identified with a number. Note that some part numbers are for assemblies fabricated as a unit at AMS and are replaceable only as a unit. Also, other part numbers identify optional parts which may or may not have been contracted for and factory installed by AMS.

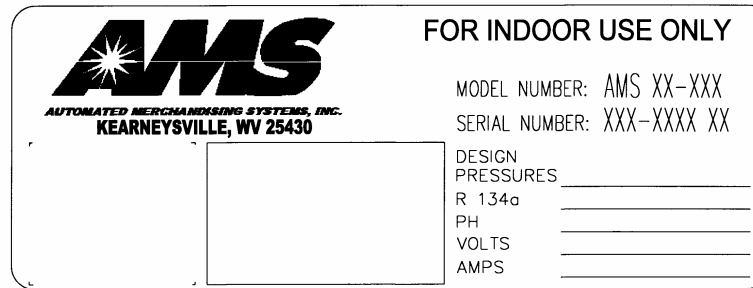
The part number in the illustration is listed with the description or title for that part. In some instances there may be multiple parts to choose from. The correct service or repair part for the style of merchandiser must be selected. A quantities column in the list indicates quantities required.

There is a note section where additional information may be found.

This manual contains additional and new information for a vendor as currently manufactured. Older revisions of this manual should be kept with older vendors.

MERCHANDISER IDENTIFICATION

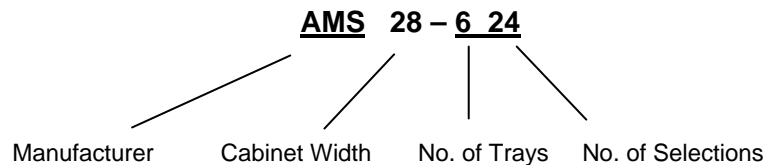
When requesting service, replacement parts or technical assistance, please use the **Model Number** and the **Serial Number with Date Code**, found on the Serial Plate (Refer to Figure 1) affixed to the merchandiser. The plate is usually located inside the window. The information contained on this plate is necessary to determine what parts, kits, or maintenance apply to your vendor.



72-002 Serial Plate

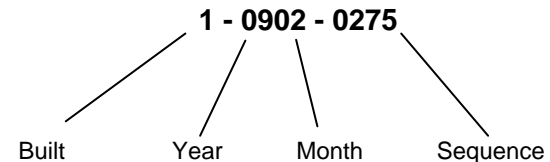
Figure 1. Example of Typical Serial Plate

Example of Model Number Breakdown



Example: **AMS28-6-24** means this vendor is an Automated Merchandising Systems merchandiser, **28"** wide, with six (**6**) trays making available four hundred eighteen (**24**) positions for different products.

Example of Serial Number and Date Code Breakdown



Example: **1-0902-0275** is translated as U.S. built (**1**), manufactured in **2009**, month of **February**, and was the **275th** manufactured that year.

Note: Manufactured in Mexico, Built = (2)

PATENT DISCLOSURE

This merchandiser and/or certain of its components are covered by one or more of the following U.S. and international patents;

U.S. PATENTS: 6,041,962; 6,145,699; 6,202,888; 6,384,402; 6,520,373; 6,708,079; 6,794,634; 7,191,915; 7,246,719; 7,343,220 B2; 7,446,302.

CANADIAN PATENT 2,329,314.

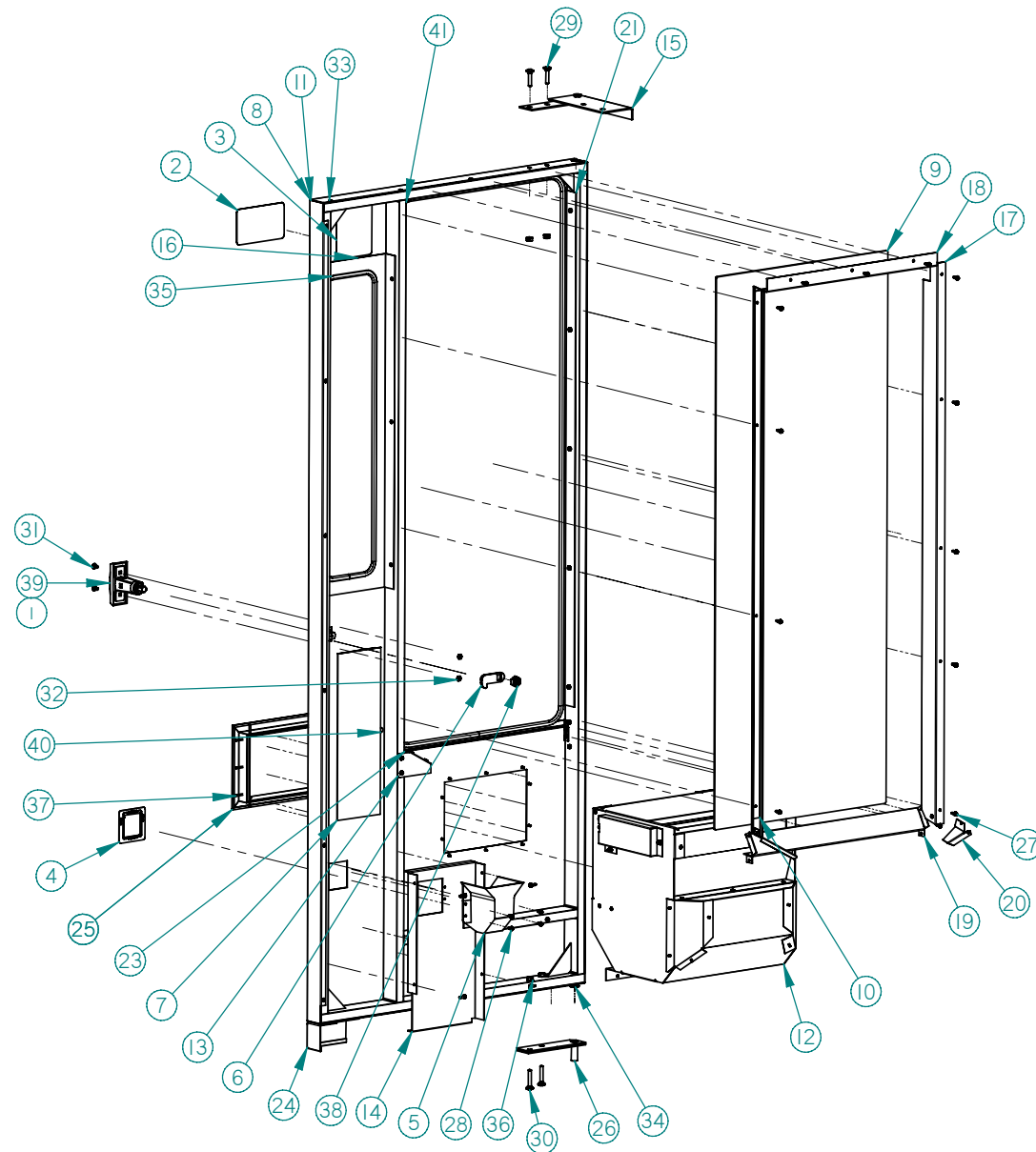
MEXICO PATENT 230714.

PUBLICATION NOTICE

L0125, Revision A, ECN 2047, 03/2/09

It is our intent to assist our customers with up-to-date documentation: however, this manual may not contain all updates and is subject to revision without notice. Please contact our Service Department with your requests or comments.

CABINET DOOR ILLUSTRATION



CABINET DOOR PARTS LIST

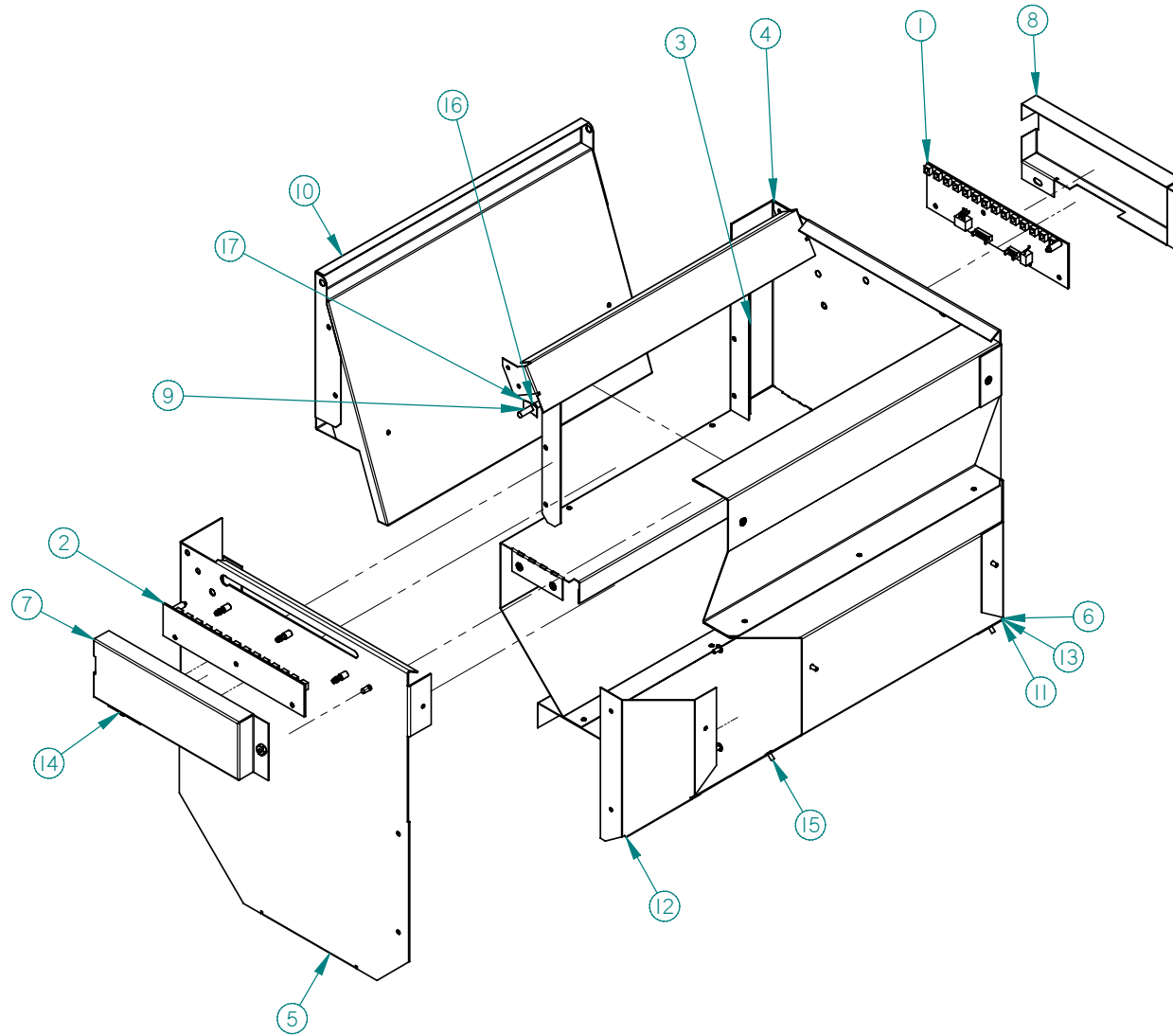
| ITEM | PART NO. | PART DESCRIPTION | NOTES |
|------|----------|------------------------------------|-------|
| 1 | 20131 | LOCK, T-HANDLE CYLINDER | |
| 2 | 21318 | DECAL, WIRNING, NO TIP OR ROCK | |
| 3 | 21325 | DECAL, WARNING, TRAY EXTENSION | |
| 4 | 23372 | TRIM, PLASTIC COIN CUP | |
| 5 | 23373 | ASSEMBLY, PLASTIC COIN CUP | |
| 6 | 23688 | T HANDLE, CAM | |
| 7 | 23802 | DECAL, COMBINED WIRING DIAGRAM | |
| 8 | 23860 | DOOR SKIN | |
| 9 | 23865 | GLASS, SINGLE PANE | |
| 10 | 23867 | ASSEMBLY, VERTICAL KICKER, RIGHT | |
| 11 | 23871 | ASSEMBLY, DOOR FRAME | |
| 12 | 23873 | ASSEMBLY, HOPPER | |
| 13 | 23875 | BRACE, DOOR KICKER | |
| 14 | 23881 | PANEL, COIN CUP MOUNTING | |
| 15 | 23946 | ASSEMBLY, TOP HINGE | |
| 16 | 23963 | STIFFENER, ESCUTCHEON | |
| 17 | 23979 | RETAINER, GLASS, RIGHT SIDE | |
| 18 | 23980 | RETAINER, GLASS, TOP | |
| 19 | 23981 | RETAINER, GLASS, BOTTOM | |
| 20 | 23982 | KICKER, RIGHT SIDE | |
| 21 | 24000 | BRACKET, VERTICAL WINDOW STIFFENER | |
| 22 | 24001 | BRACKET, TOP WINDOW STIFFENER | |
| 23 | 24004 | BRACKET, BOTTOM WINDOW STIFFENER | |
| 24 | 24005 | FALSE LEG | |
| 25 | 24028 | ASSEMBLY, TRIM, HOPPER | |
| 26 | 24047 | ASSEMBLY, DOOR HINGE, BOTTOM | |

| | | | |
|----|---------|-----------------------------------|---------|
| 27 | 3000 | SCREW, SHEET METAL TEK – 8-18 | |
| 28 | 3001-03 | SCREW, SHEET METAL, TYPE B, #8-18 | |
| 29 | 3004-10 | CARRIAGE BOLT, ¼ - 20 X 1 ¼ LG | |
| 30 | 3004-12 | CARRIAGE BOLT, ¼ - 20 X 1 ½ LG | |
| 31 | 3005-04 | CARRIAGE BOLT, #10-24 | |
| 32 | 3006-10 | #8-32 HEX NUT | |
| 33 | 3009-02 | RIVET, STEEL, 1/8, BLACK | |
| 34 | 3023-15 | WASHER, FLAT NYLON (1/2") | |
| 35 | | | REMOVED |
| 36 | 3062 | EDGE TRIM, SELF-LOCKING | |
| 37 | 3153-11 | NUT, HEX W/ LOCK WASHER | |
| 38 | 3156-10 | RIVET, ALUMINUM, 1/8" | |
| 39 | 3408 | NUT, HEX JAM, ½-13 X 5/16 THK | |
| 40 | 3594 | ASSEMBLY, T-HANDLE | |
| 41 | 3670-03 | HOOK AND LOOP CLOSERS | |
| 42 | 3684 | EDGE TRIM, SELF-LOCKING | |

General Note: Door skin decal (if equipped) is not shown in parts list.

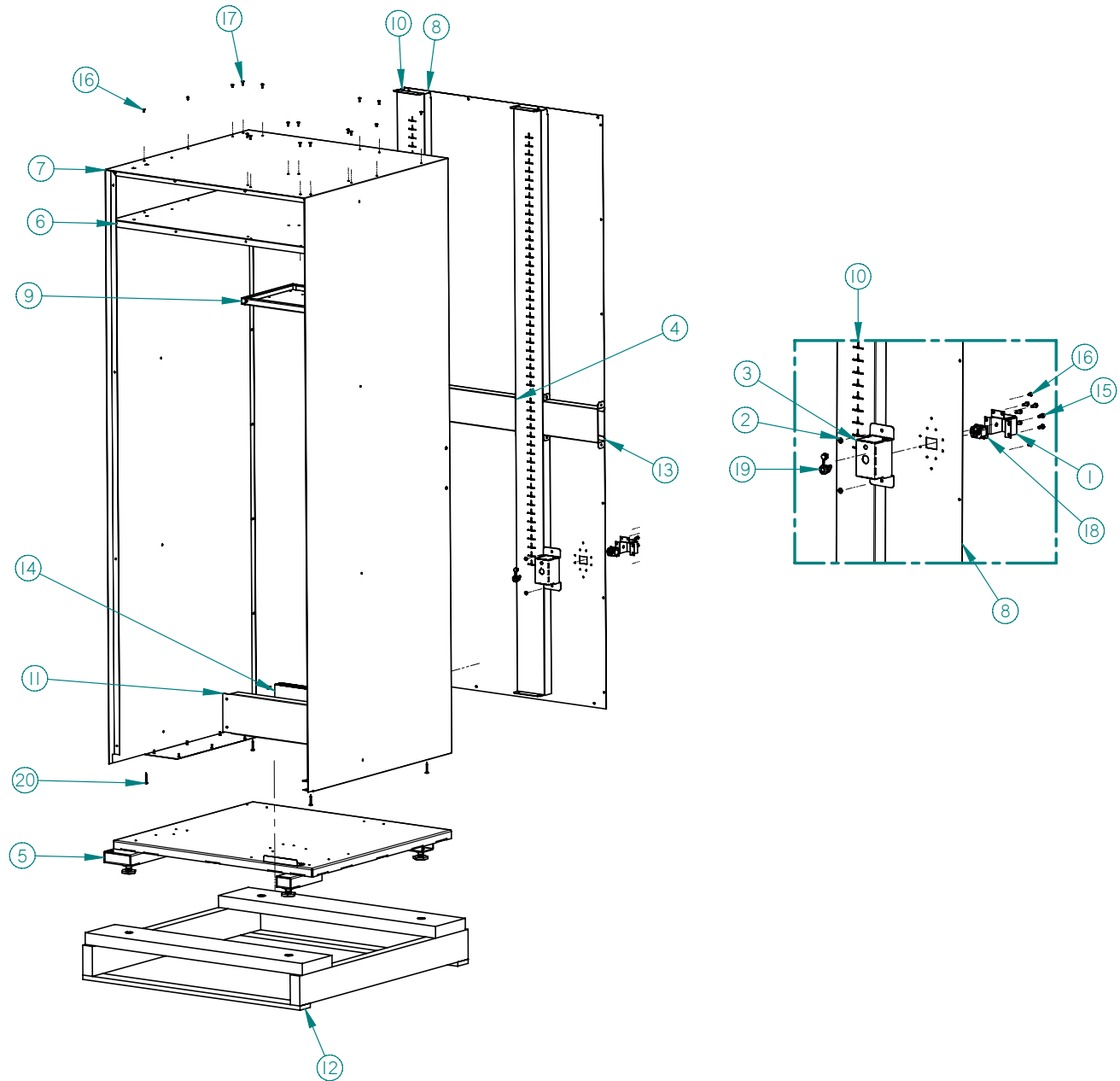
THIS PAGE INTENTIONALLY LEFT BLANK

HOPPER PARTS ILLUSTRATION



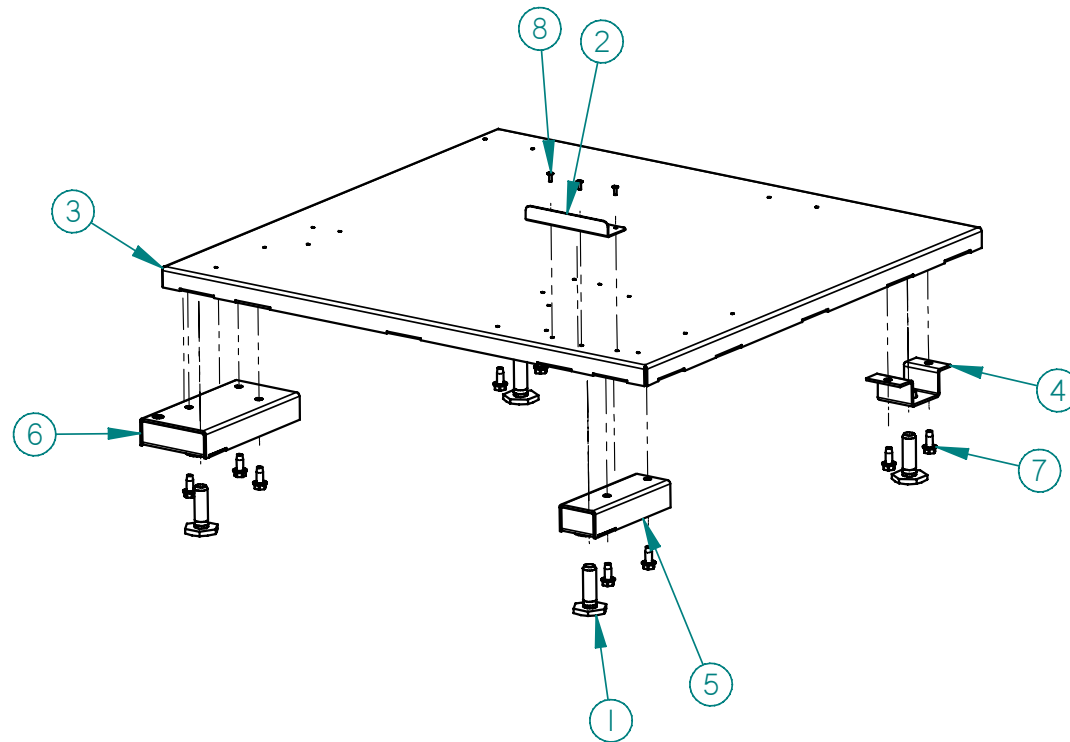
| HOPPER PARTS LIST | | | |
|-------------------|----------|------------------------------------|-------|
| ITEM | PART NO. | PART DESCRIPTION | NOTES |
| 1 | 22120 | SENSOR BOARD, PRIMARY, SENSIT II | |
| 2 | 22121 | SENSOR BOARD, SECONDARY, SENSIT II | |
| 3 | 23486 | HOPPER FRAME | |
| 4 | 23874 | DEFLECTOR, HOPPER | |
| 5 | 23877 | ASSEMBLY, HOPPER RIGHT SIDE | |
| 6 | 23877-01 | ASSEMBLY, HOPPER LEFT SIDE | |
| 7 | 23878 | BRACKET, SENSOR COVER, RIGHT | |
| 8 | 23878-01 | BRACKET, SENSOR COVER, LEFT | |
| 9 | 23913 | VEND DOOR SHAFT | |
| 10 | 23932 | ASSEMBLY, HOPPER DOOR | |
| 11 | 23933 | ASSEMBLY, HOPPER BODY | |
| 12 | 23956 | HOPPER, BACK SIDE, LEFT | |
| 13 | 23956-01 | HOPPER, BACK SIDE, RIGHT | |
| 14 | 3006-08 | #8-32 HEX NUT | |
| 15 | 3009-02 | RIVET, STEEL, 1/8" BLACK | |
| 16 | 3015 | BEARING, NYLINER | |
| 17 | 3113 | TINNERMAN FASTENER, 3/16 | |

CABINET PARTS ILLUSTRATION



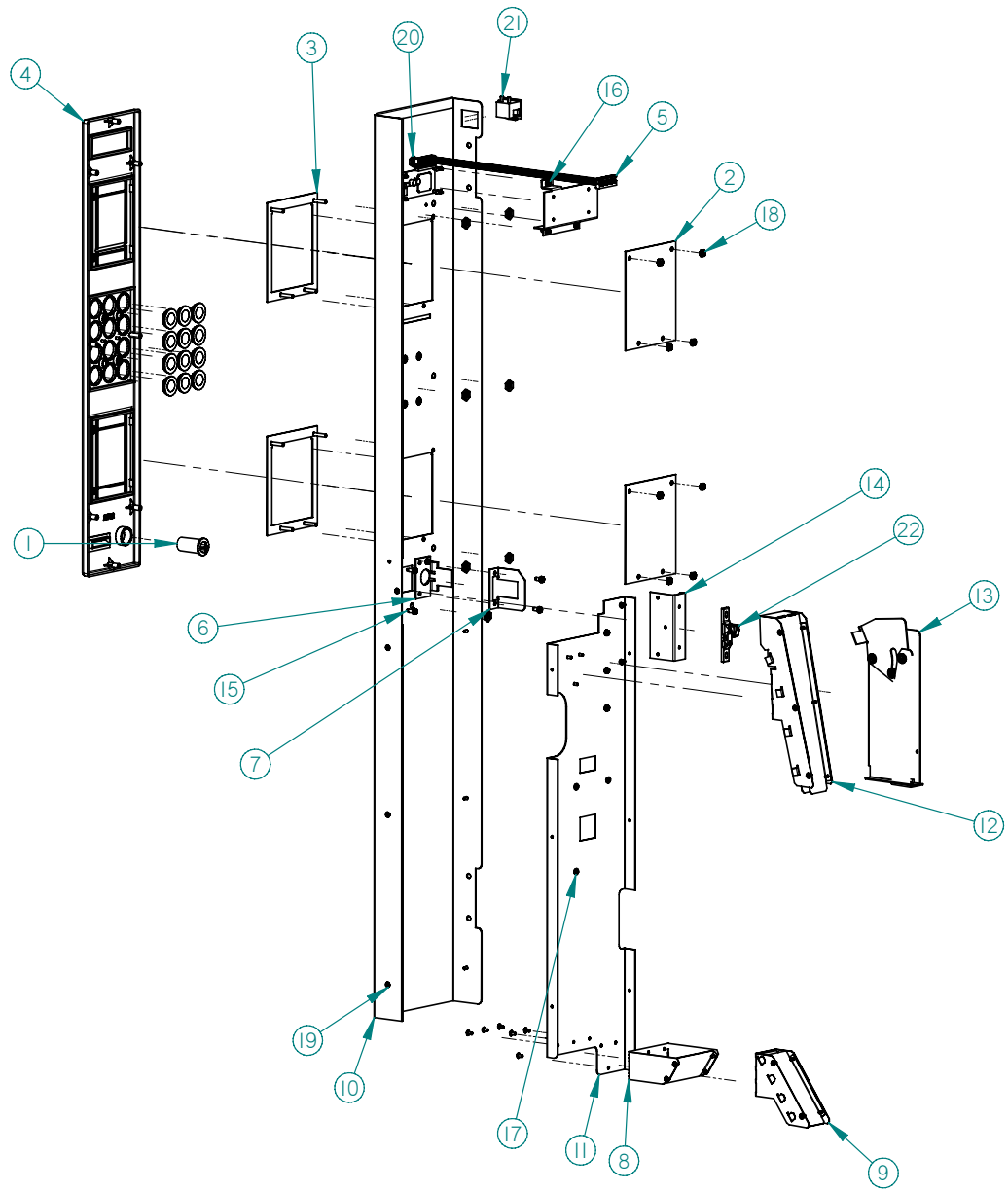
| CABINET PARTS LIST | | | |
|--------------------|----------|-------------------------------------|----------------------|
| ITEM | PART NO. | PART DESCRIPTION | NOTES |
| 1 | 20608 | COVER, POWER CORD | |
| 2 | 3017-06 | WASHER, FLAT STEEL, SAE STD. | |
| 3 | 20321 | COVER, IEC INLET | |
| 4 | 23456 | RAIL MOUNT BACK, LARGE SUPPORT | |
| 5 | 23853 | ASSEMBLY, BASE | |
| 6 | 23920 | DOUBLER, TOP | |
| 7 | 23926 | WRAPPER, CABINET | |
| 8 | 23928 | WRAPPER BACK | |
| 9 | 23944 | SPACER, RAIL MOUNT | |
| 10 | 23971 | RAIL MOUNT, BACK | |
| 11 | 24021 | BRACKET BALLAST RESTRAINT | CANADIAN MODELS ONLY |
| 12 | 24037 | PALLET, SHIPPING | |
| 13 | 24045 | SUPPORT, SMALL RAIL MOUNT, BACK | |
| 14 | 24053 | ASSEMBLY, STABILITY WEIGHT WELDMENT | CANADIAN MODELS ONLY |
| 15 | 3000 | SCREW, SHEET METAL TEK – 8-18 | |
| 16 | 3009-02 | RIVET, STEEL, 1/8", BLACK | |
| 17 | 3009-04 | RIVET, POP, STEEL, 1/8, BLACK | |
| 18 | 3057 | INLET, PANEL MOUNT, IEC | |
| 19 | 3080 | STRAIN RELIEF, BUTTON LOCK | |
| 20 | 3241-10 | SCREW, #6 DRYWALL | |
| 21 | 3270 | DECAL – MADE IN THE USA | NOT SHOWN |

BASE PLATE PARTS ILLUSTRATION



| BASE PLATE PARTS LIST | | | |
|-----------------------|----------|-------------------------------|-------|
| ITEM | PART NO. | PART DESCRIPTION | NOTES |
| 1 | 20121 | LEG, LEVELING | |
| 2 | 23701 | BASE, COIN BOX, RESTRICTION | |
| 3 | 23855 | ASSEMBLY, BASE WELDMENT | |
| 4 | 23857 | ASSEMBLY, LEG WELDMENT | |
| 5 | 24009 | ASSEMBLY, LEG, EXTENDED FRONT | |
| 6 | 24010 | ASSEMBLY, DOOR HINGE W/FOOT | |
| 7 | 3007-06 | SCREW, 5/16 – 18, TYPE F | |
| 8 | 3009-04 | RIVET, POP, STEEL 1/8 | |

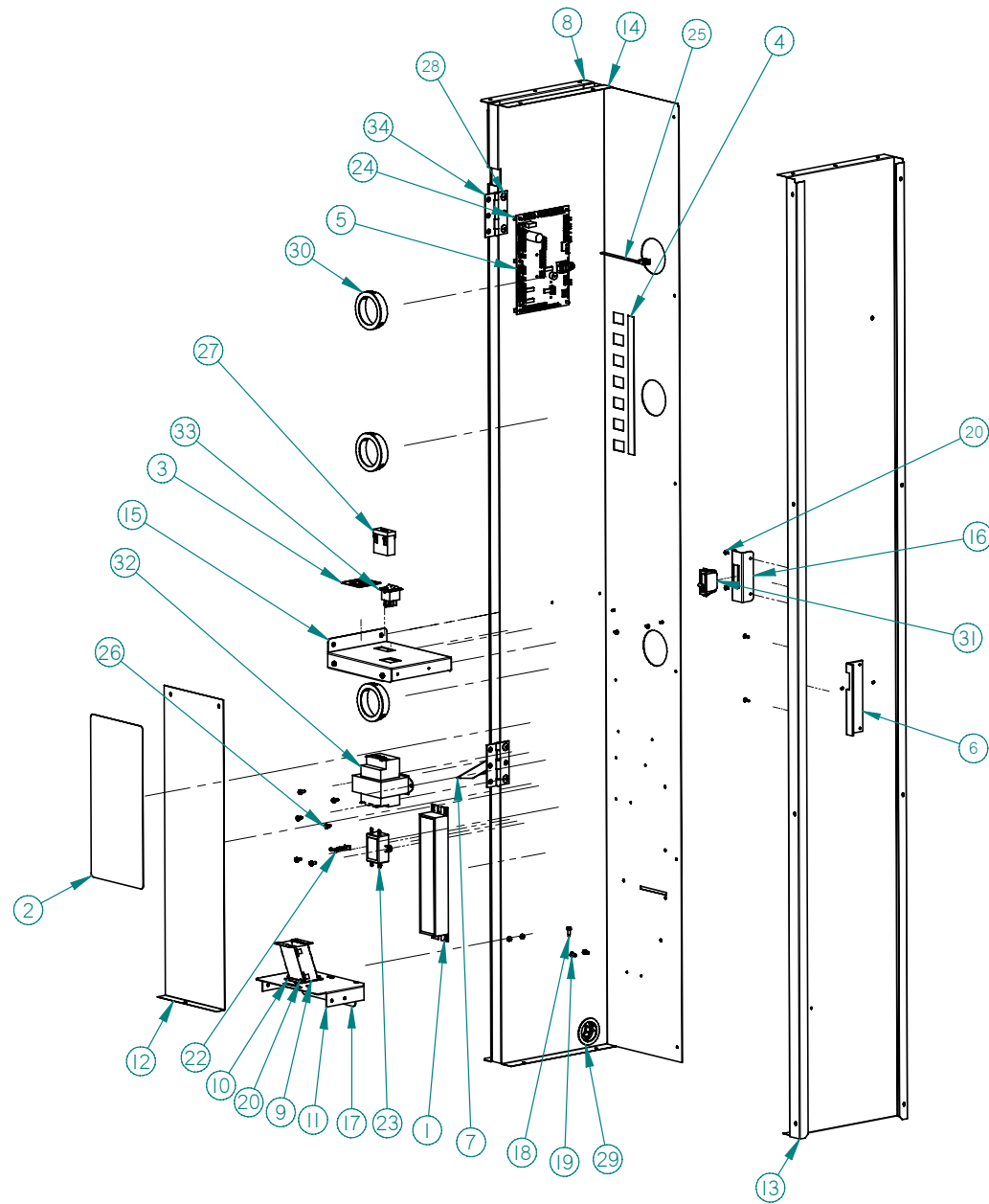
DOOR, CONTROL BAY ILLUSTRATION



DOOR, COIN BAY PARTS LIST

| ITEM | PART NO. | PART DESCRIPTION | NOTE |
|------|----------|-----------------------------------|-----------|
| 1 | 20081 | SCAVENGER BUTTON | |
| 2 | 20181 | DBV COVER PLATE | |
| 3 | 20344 | DVB MOUNTING BEZEL ASSEMBLY | |
| 4 | 22176 | ASSEMBLY, PLASTIC ESCUTCHEON, V2 | |
| 5 | 22305 | ASSEMBLY, DISPLAY, VER. 2 | |
| 6 | 22335 | BRACKET, PUSH BUTTON ALIGNMENT | |
| 7 | 22367 | SCAVENGER STOP BRACKET, VER. 2 | |
| 8 | 23526 | ASSEMBLY, COIN CUP ADAPTOR CONE | |
| 9 | 23707 | ASSEMBLY, COIN CHUTE, M. PANEL | |
| 10 | 23948 | DOOR PANEL, CONTROL BAY | |
| 11 | 23950 | PANEL, CHANGER MOUNTING | |
| 12 | 23951 | ASSEMBLY, COIN CHUTE | |
| 13 | 23953 | ASSEMBLY, SCAVENGER SYSTEM | |
| 14 | 24030 | BRACKET, LATCH MOUNTING | |
| 15 | 3000 | SCREW, SHEET METAL TEK – 8-18 | |
| 16 | 3001-03 | SCREW, SHEET METAL, TYPE B, #8-18 | |
| 17 | 3002-04 | SCREW, MACHINE, TYPE F, #8-32 | |
| 18 | 3006-08 | #8-32 HEX NUT | |
| 19 | 3009-02 | RIVET, STEEL, 1/8", BLACK | |
| 20 | 3011 | SELF THREADING NUT, 1/4" STUD | |
| 21 | 3036 | SWITCH, PANEL MOUNT ROCKER | |
| 22 | 3226-01 | KEEPER, SLAM ACTION LATCH | |
| 23 | 20526 | COIN BOX | NOT SHOWN |

RIGHT RAIL MOUNT PARTS ILLUSTRATION



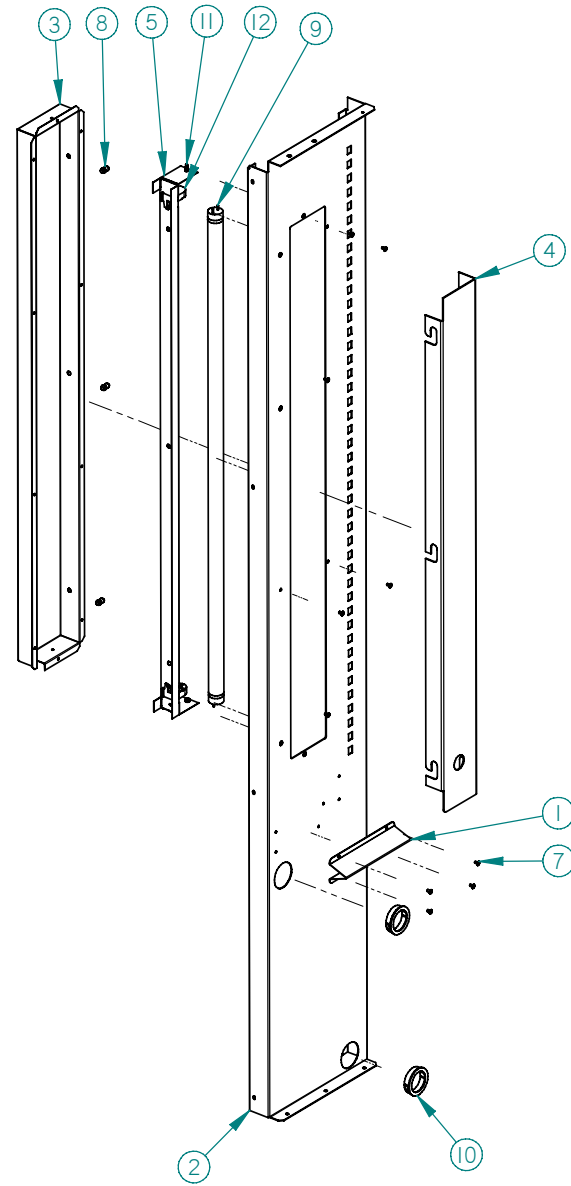
RIGHT RAIL MOUNT PARTS LIST

| ITEM | PART NO. | PART DESCRIPTION | NOTES |
|------|----------|-----------------------------------|--------------------|
| 1 | 20730 | BALLAST, 115V | CHECK UNIT VOLTAGE |
| | 24025 | BALLAST, 220V | |
| 2 | 21324 | DECAL, WARNING | |
| 3 | 21509 | DEDAL, 24V FUSE | |
| 4 | 22041 | DECAL, TRAY POSITION, 1-7 | |
| 5 | 23021 | CONTROL BOARD, SENSIT III | |
| 6 | 23680 | HINGE, UPPER, BASE | |
| 7 | 23887 | KICKER, RAIL MOUNT RIGHT | |
| 8 | 23888 | PANEL, RAIL MOUNT RIGHT | |
| 9 | 23898 | COIN CHUTE | |
| 10 | 23898-01 | COIN CHUTE, LH | |
| 11 | 23899 | BULKHEAD, COIN BOX | |
| 12 | 23908 | CONTROL BAY, WIRE COVER | |
| 13 | 23938 | RAIL MOUNT, VERTICAL SUPPORT | |
| 14 | 23939 | INSERT, RAIL MOUNT | |
| 15 | 23940 | SUPPORT, RAIL MOUNT | |
| 16 | 23957 | BRACKET, LOCK HOLDER | |
| 17 | 23964 | PLATE, COIN BOX RESTRICTOR | |
| 18 | 3000 | SCREW, SHEET METAL TEK – 8-18 | |
| 19 | 3001-03 | SCREW, SHEET METAL, TYPE B, #8-18 | |
| 20 | 3009-02 | RIVET, STEEL, 1/8" BLACK | |
| 21 | 3009-04 | RIVET, POP, STEEL 1/8 | |
| 22 | 3020 | WIRE TIE, STANDOFF | |
| 23 | 3030 | RFI FILTER, 115V | CHECK UNIT VOLTAGE |
| | 3191 | RFI FILTER, 220V | |
| 24 | 3037-01 | PC BOARD SUPPORT | |

| | | | |
|----|---------|---------------------------------|--------------------|
| 25 | 3081 | WIRE TIE, .25 PANEL MOUNT | |
| 26 | 3084-03 | SCREW, SEM, 8-32 | |
| 27 | 3133-30 | ASSEMBLY, FUSE HOLDER AND FUSES | |
| 28 | 3172-02 | RIVET, ALUMINUM, ¼" NATURAL | |
| 29 | 3205-24 | GROMIT | |
| 30 | 3205-34 | GROMIT | |
| 31 | 3226-02 | CATCH, SLAM ACTION LATCH | |
| 32 | 3257 | TRANSFORMER, 115V | CHECK UNIT VOLTAGE |
| | 3258 | TRANSFORMER, 220V | |
| 33 | 3284 | SWITCH, ROCKER, ON/OFF | |
| 34 | 3602 | HINGE, 2" X 3" | |

THIS PAGE INTENTIONALLY LEFT BLANK

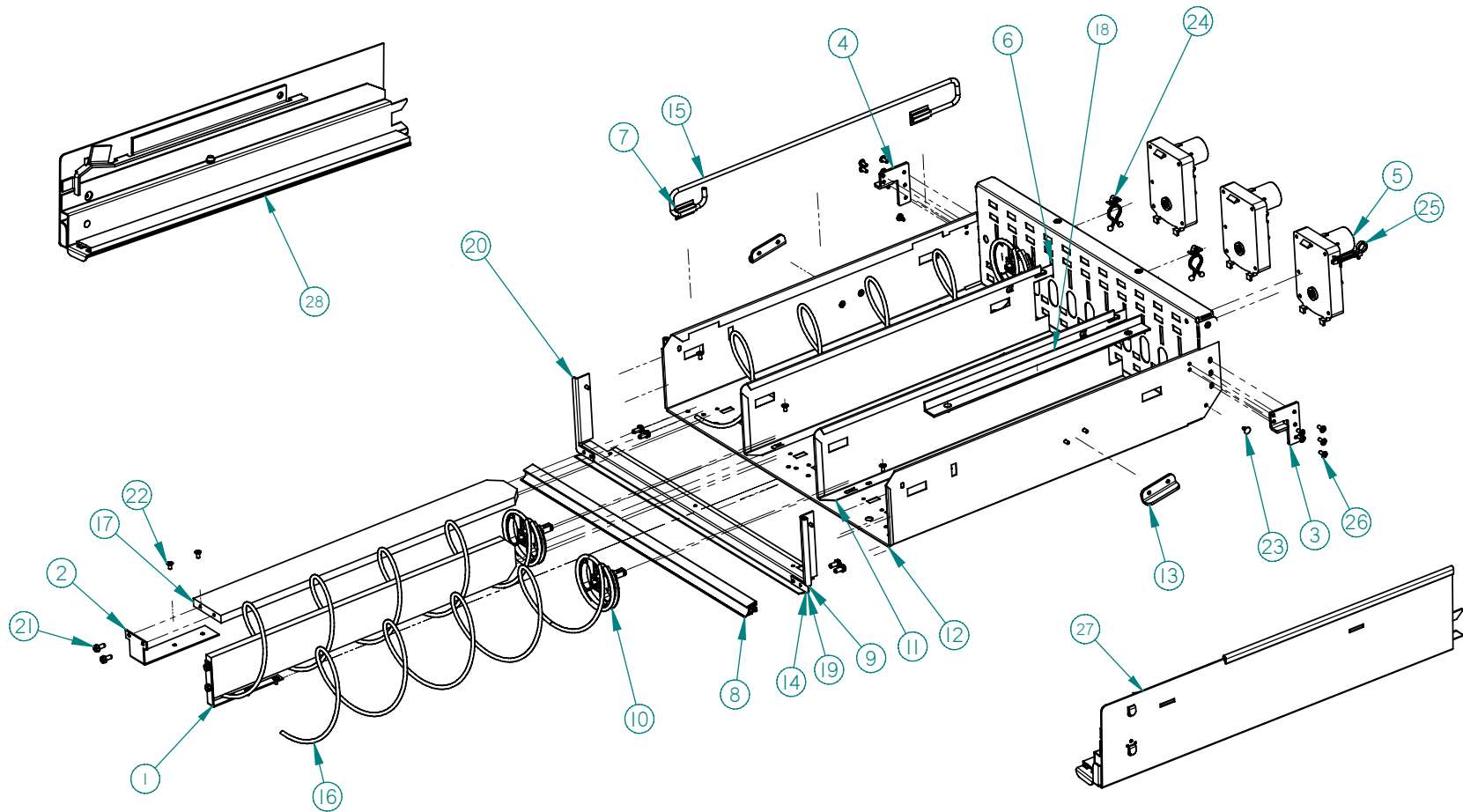
LEFT RAIL MOUNT ILLUSTRATION



DOOR HINGES AND GLASS PARTS LIST

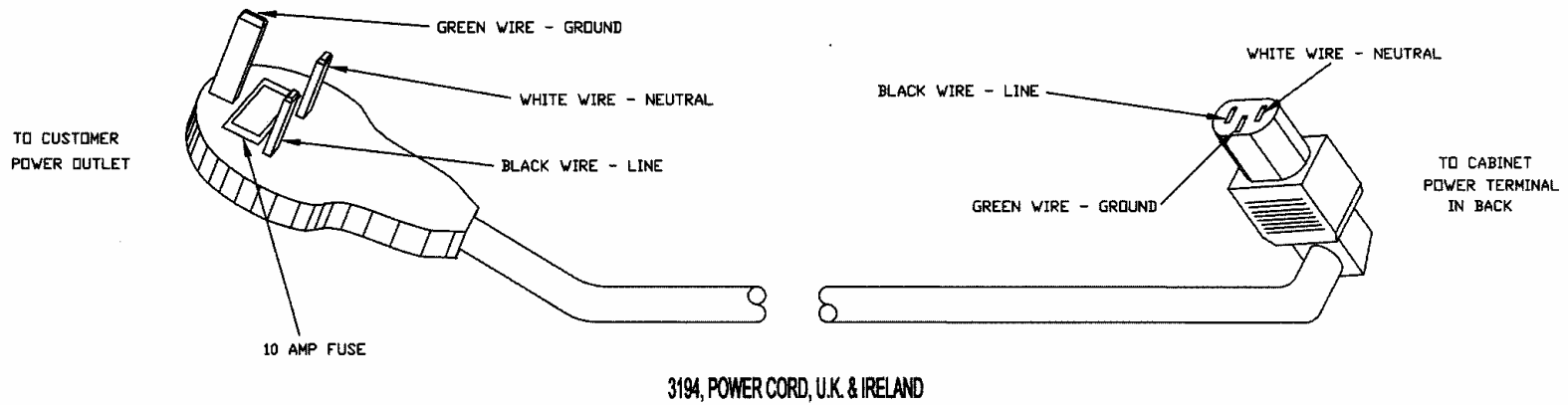
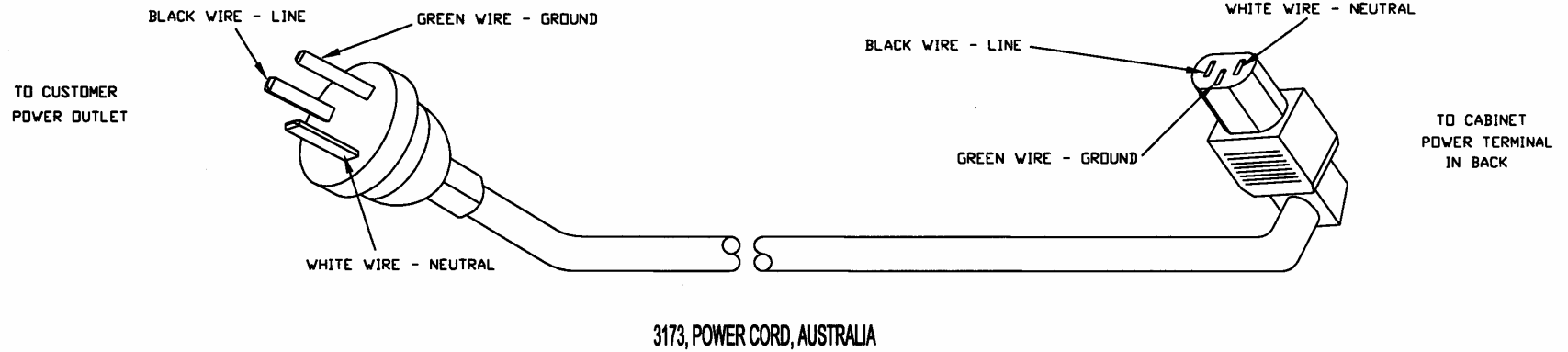
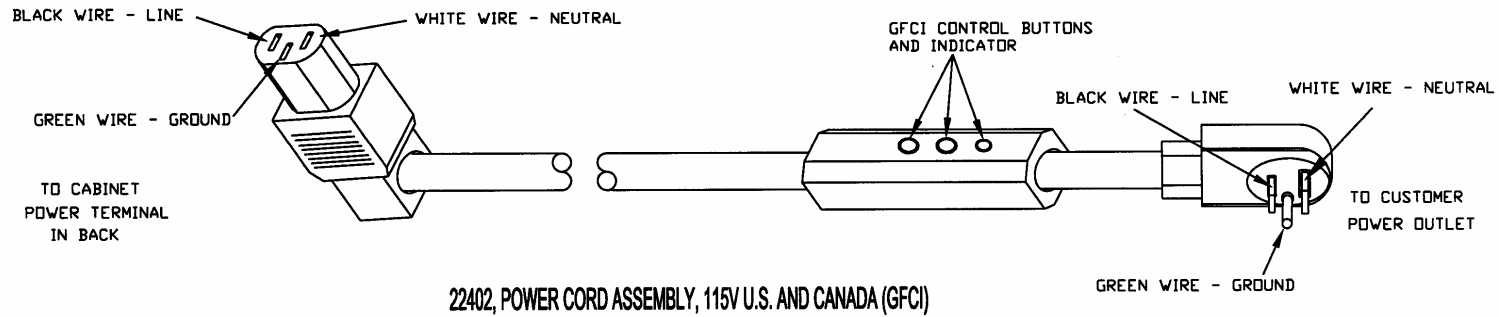
| ITEM | PART NO. | PART DESCRIPTION | NOTE |
|------|----------|-----------------------------------|--------------------|
| 1 | 23446 | PRODUCT KICKER, LEFT, SLIM | |
| 2 | 23892 | RAIL MOUNT, FORWARD, LEFT | |
| 3 | 23893 | BOX, 35" LAMP MOUNTING | |
| 4 | 23894 | COVER, 35" LAMP | |
| 5 | 23896 | BRACKET, LAMP HOLDER | |
| 6 | 3001-03 | SCREW, SHEET METAL, TYPE B, #8-18 | |
| 7 | 3009-02 | RIVET, STEEL, 1/8", BLACK | |
| 8 | 3038 | RIVET, NYLON | |
| 9 | 3202 | FLUORESCENT LAMP, 25W | |
| 10 | 3205-24 | GROMIT | |
| 11 | 3342-04 | SCREW, SHEET METAL TEK – 8-18 | |
| 12 | 23901 | HARNESS, SINGLE LAMP, 115V | CHECK UNIT VOLTAGE |
| | 24023 | HARNESS, SINGLE LANP, 220V | |

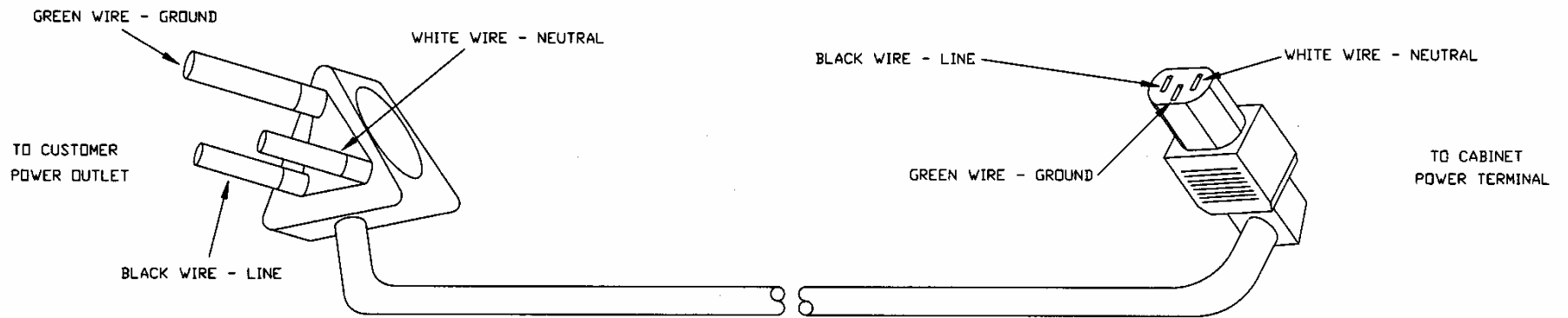
STANDARD TRAY ILLUSTRATION



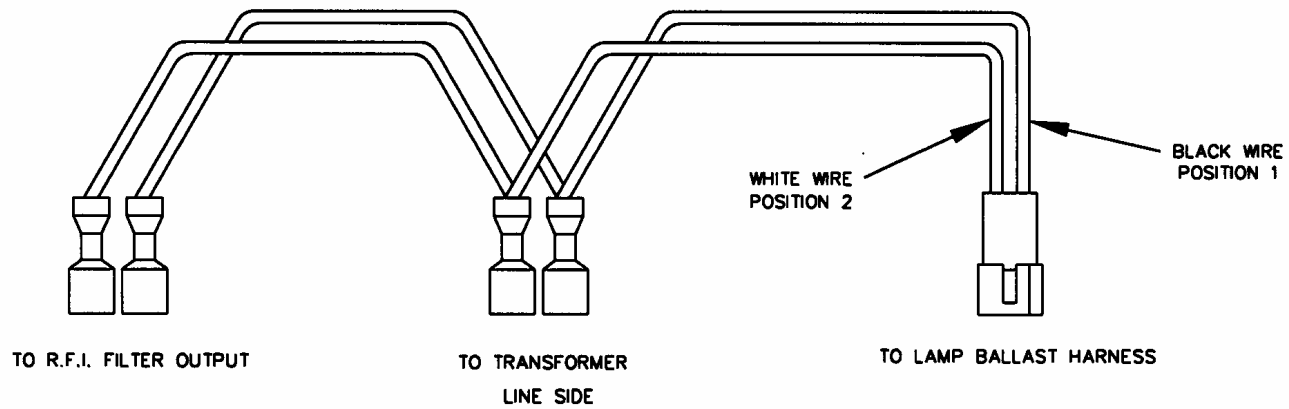
| STANDARD TRAY PARTS LIST | | | |
|--------------------------|----------|-----------------------------------|---|
| ITEM | PART NO. | PART DESCRIPTION | NOTE |
| 1 | 20421 | HELIX SPLITTER BRACKET | OPTIONAL ITEM |
| 2 | 20527 | BRACKET, CUP RAIL, SMALL HELIX | OPTIONAL ITEM |
| 3 | 20073 | TRAY STOP | |
| 4 | 20073-01 | TRAY STOP, LH | |
| 5 | 23007 | MOTOR W/HOME CIRCUIT, CCW | OPTIONAL ITEM |
| | 23007-01 | MOTOR W/HOME CIRCUIT, CW | OPTIONAL ITEM |
| 6 | 20133 | TRAY DIVIDER SPRING | |
| 7 | 20220 | EXTRUSION, CANDY PUSHER | OPTIONAL ITEM |
| 8 | 20465-06 | EXTRUSION, PRICE MARKER | |
| 9 | 20796-01 | EDGE TRIM, TRAY CORNER | |
| 10 | 20966 | HELIX ADAPTOR | |
| 11 | 23447 | TRAY DIVIDER | |
| 12 | 23448 | TRAY BODY, REDUCED DEPTH | |
| 13 | 23471 | TRAY STOP | |
| 14 | 23492 | TRAY DOUBLER | |
| 15 | 23502 | BAR, CANDY PUSHER | |
| 16 | 23549 | HELIX, SMALL CCW, PAINTED | SEE HELIX DESCRIPTION SECTION FOR OPTIONS |
| | 23976 | HELIX, 3-3/4", CCW, PAINTED | |
| | 24031 | HELIX, SMALL, CW, PAINTED | |
| 17 | 23553 | HELIX SPLITTER | OPTIONAL ITEM |
| 18 | 23969 | HELIX ALIGNMENT DEVICE | OPTIONAL ITEM |
| 19 | 24050 | TRAY CORNER, NARROW | |
| 20 | 24050-01 | TRAY CORNER, NARROW, LH | |
| 21 | 3001-03 | SCREW, SHEET METAL, TYPE B, #8-18 | |
| 22 | 3009-02 | RIVET, STEEL, 1/8", BLACK | |
| 23 | 3019 | CANOE CLIP | |
| 24 | 3020 | WIRE TIE, STANDOFF | |
| 25 | 3042-01 | WIRE TIE, PANEL MOUNT | |
| 26 | 3295-03 | RIVET, STEEL, 1/8", PLATED | |
| 27 | 23545 | RIGHT TRAY RAIL | |
| 28 | 23546 | LEFT TRAY RAIL | |
| 29 | 20613 | LABEL SHEET, LOCATION | NOT SHOWN |
| 30 | 20614 | LABEL SHEET, PRICE | NOT SHOWN |
| 31 | 20528 | BRACKET, CUP RAIL LARGE HELIX | NOT SHOWN REF ITEM 2 FROM ILLUSTRATION |

ELECTRICAL HARNESS ILLUSTRATIONS

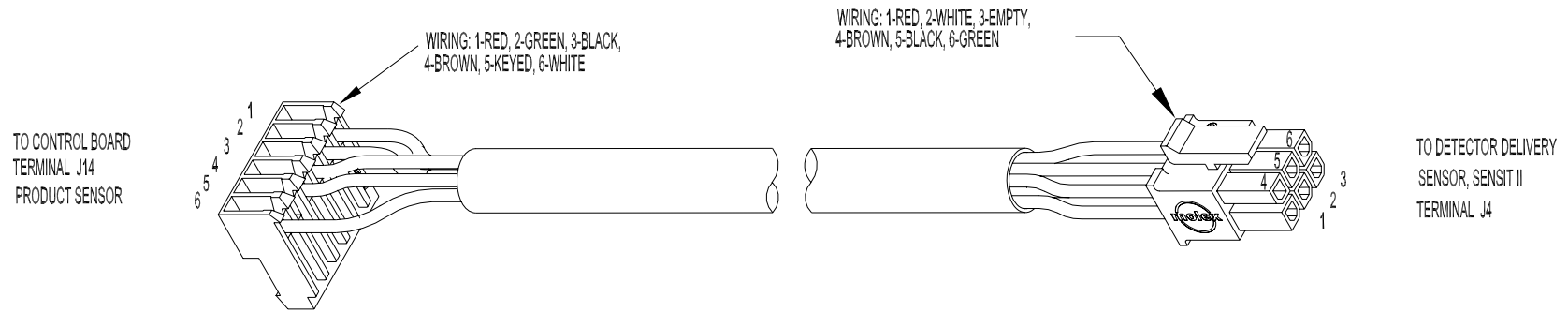




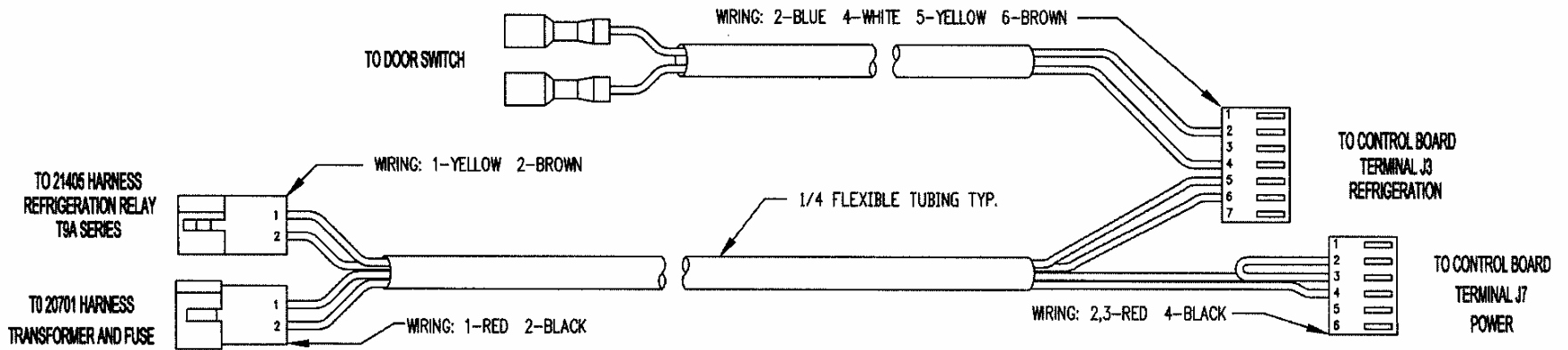
3208 POWER CORD, INDIA AND SOUTH AFRICA



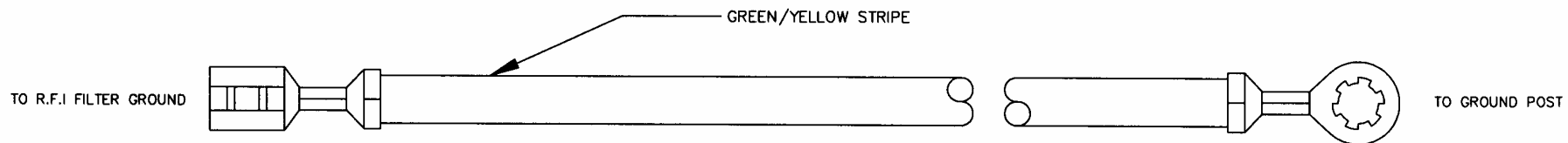
20149, HARNESS, BALLAST/TRANSFORMER LINE



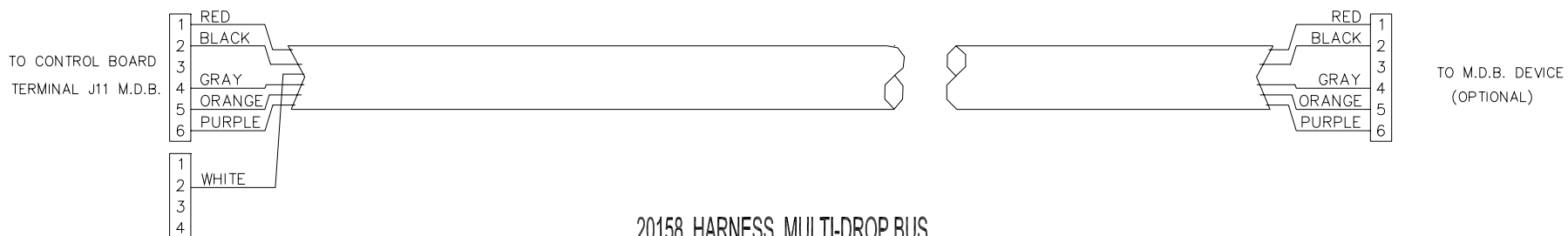
23503 HARNESS, DELIVERY SENSOR DETECTOR/CONTROL, SENSIT II



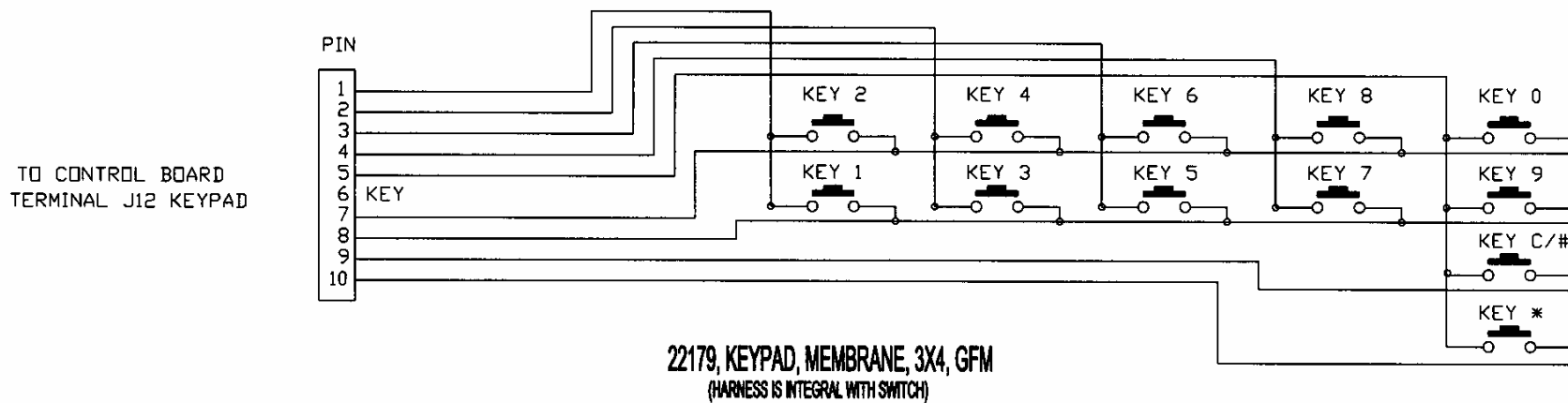
21590, HARNESS, CONTROL POWER AND REFRIGERATION RELAY, SENSIT II



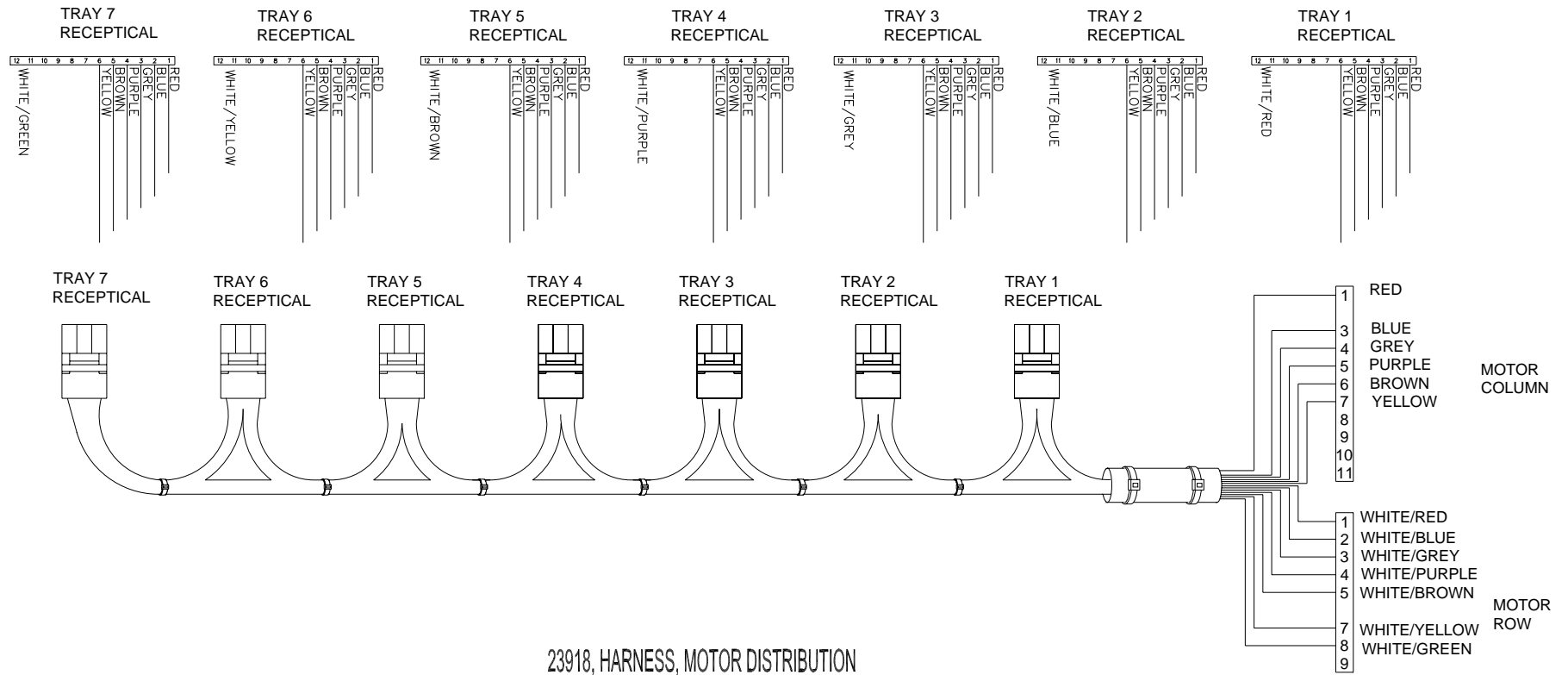
20154, HARNESS, R.F.I. FILTER GROUND

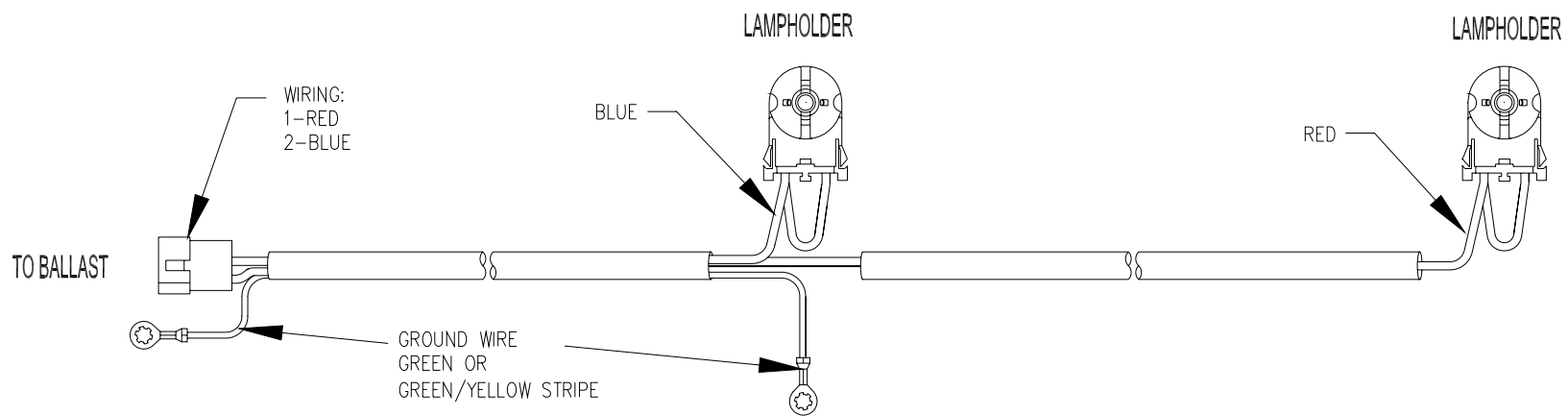


20158, HARNESS, MULTI-DROP BUS

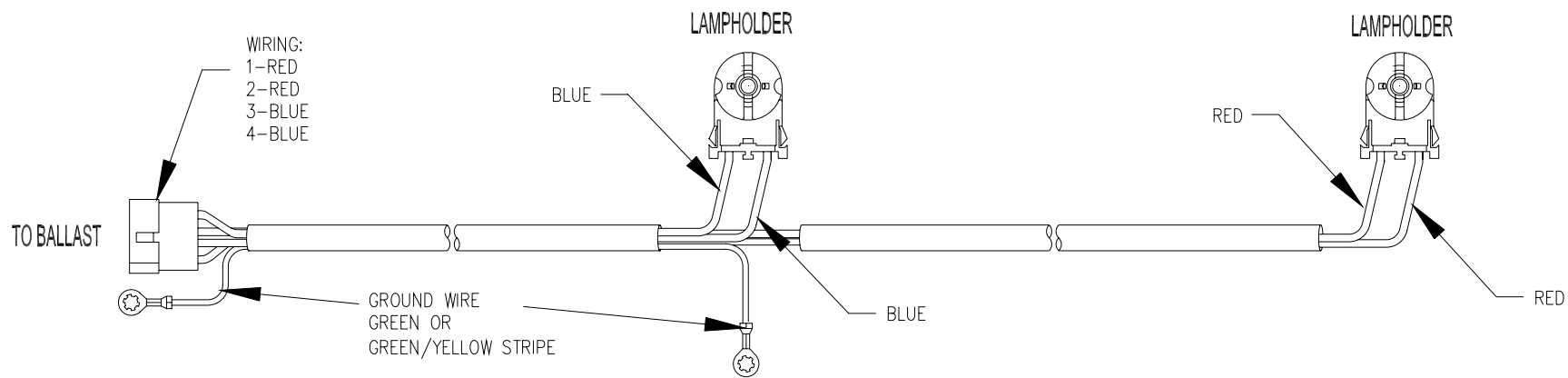


22179, KEYPAD, MEMBRANE, 3X4, GFM
(HARNESS IS INTEGRAL WITH SWITCH)

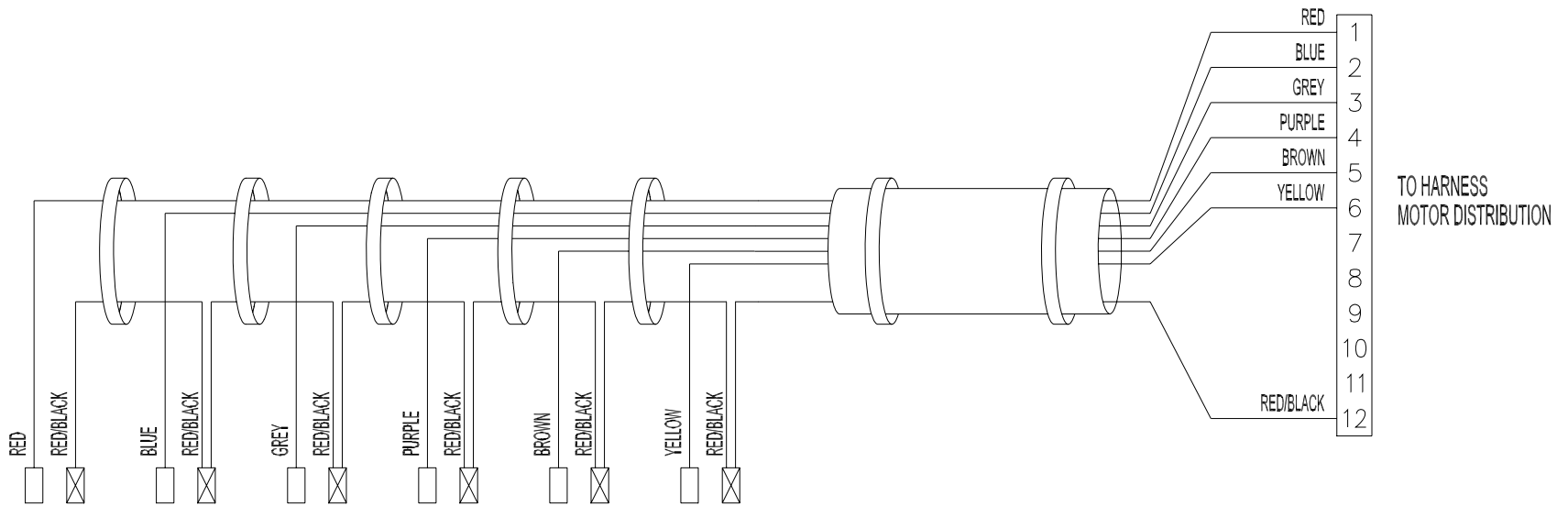




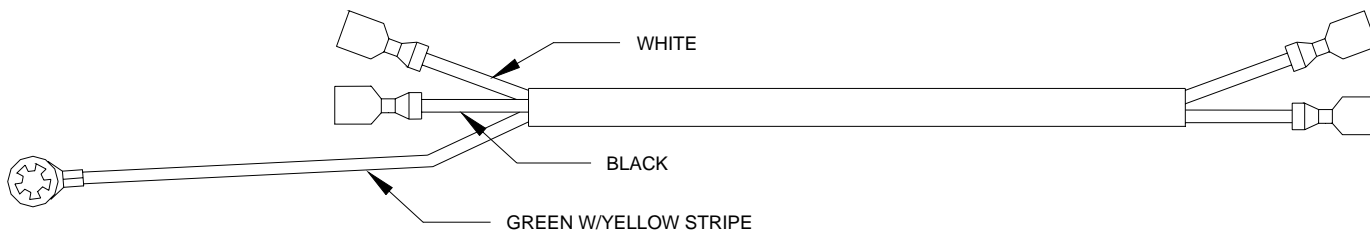
23901, HARNESS, SINGLE LAMP 110V



24023, HARNESS, SINGLE LAMP 220V

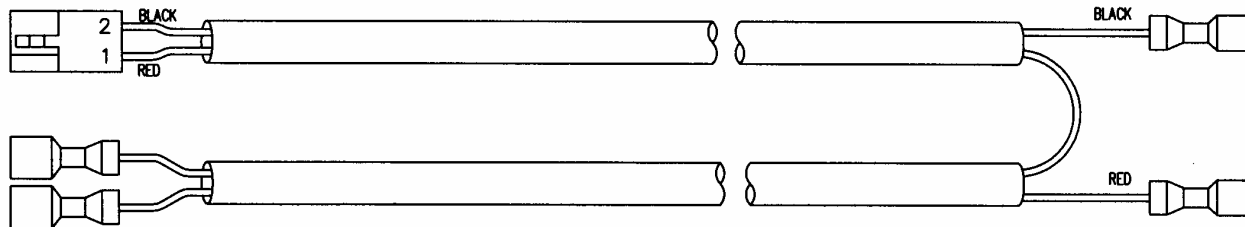


23501, HARNESS, TRAY, 6 COLUMN



23357, HARNESS POWER INPUT

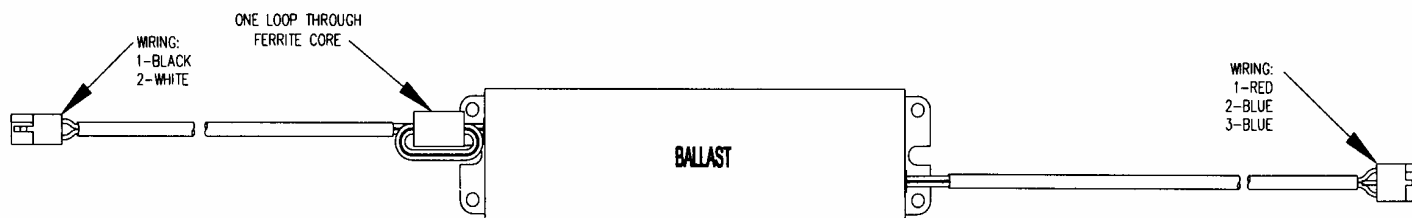
TO 21591 HARNESS, POWER
AND REFRIGERATION RELAY,
LEFT SIDE DOOR SWITCH



TO TRANSFORMER
24 VAC SECONDARY

20701, HARNESS, TRANSFORMER AND FUSE

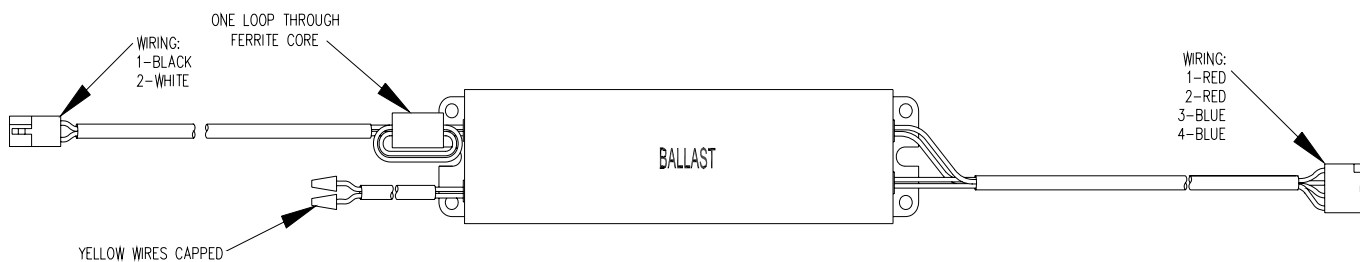
TO 20897 HARNESS,
DUAL TRANSFORMER



TO 20718, HARNESS,
DUAL LAMP

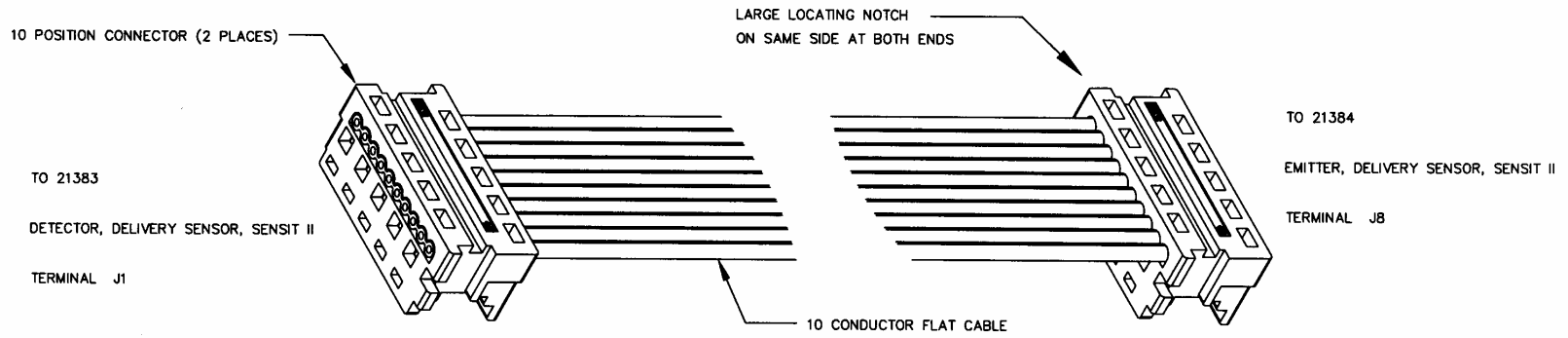
20730, HARNESS, BALLAST, DUAL LAMP 110V

TO TRANSFORMER HARNESS

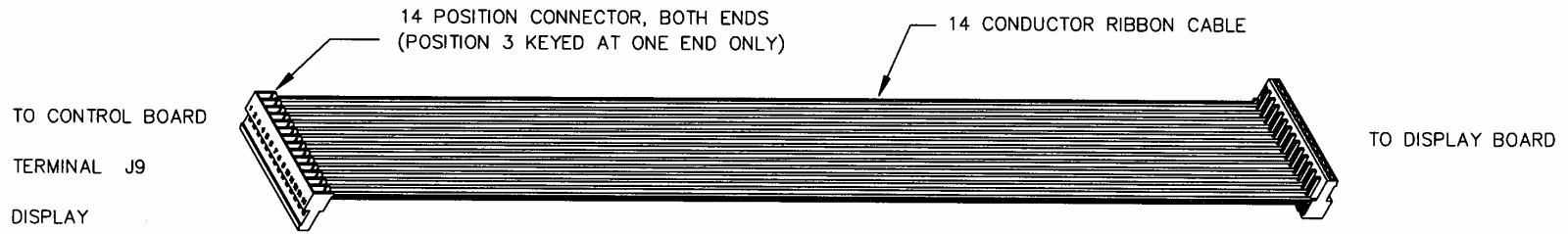


TO LAMP HARNESS

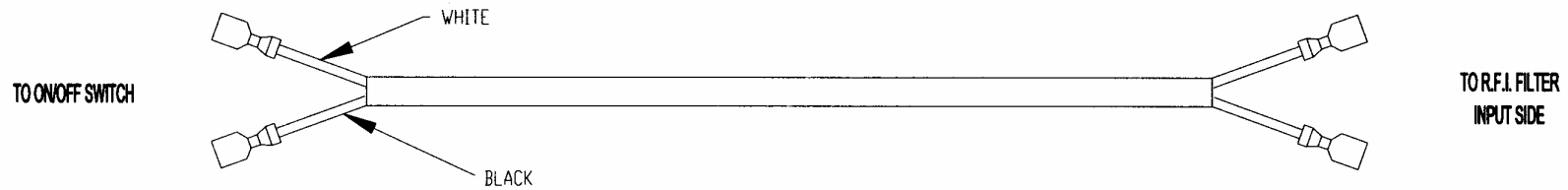
24025, HARNESS, BALLAST, DUAL LAMP 220V



21426 HARNESS, DELIVERY SENSOR DETECTOR/EMITTER, SENSIT II



21432 HARNESS, DISPLAY, SENSIT II

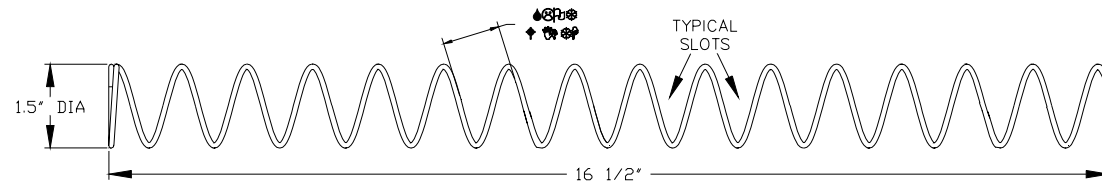


21485, HARNESS, ON/OFF SWITCH

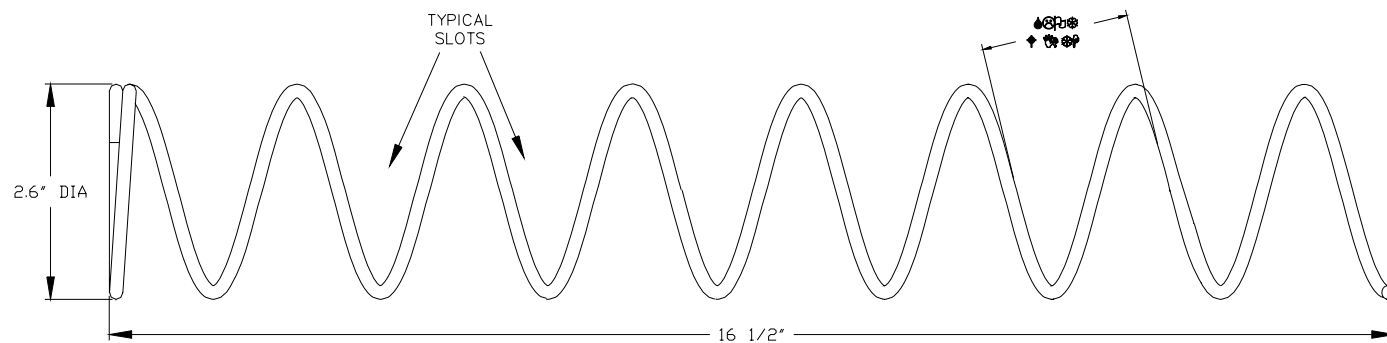
| PART NO. | PART DESCRIPTION | NOTES |
|----------|--|------------|
| 22402 | POWER CORD ASSEMBLY, 115V U.S. AND CANADA | |
| 3173 | POWER CORD, AUSTRALIA | |
| 3194 | POWER CORD, U.K. AND IRELAND | |
| 3208 | POWER CORD, INDIA AND SOUTH AFRICA | |
| 20149 | HARNESS, BALLAST/ TRANSFORMER | |
| 23503 | HARNESS, DELIVERY SENSOR DETECTOR/CONTROL | |
| 21590 | HARNESS, CONTROL POWER AND REFRIGERATION RELAY | |
| 20154 | HARNESS, R.F.I. FILTER GROUND | |
| 20158 | HARNESS, MULTI-DROP BUS | |
| 22179 | KEYPAD, MEMBRANE, 3X4, GFM | |
| 23918 | HARNESS, MOTOR DISTRIBUTION | |
| 23901 | HARNESS, SINGLE LAMP 110V | 110V UNITS |
| 24023 | HARNESS, SINGLE LAMP 220V | 220V UNITS |
| 23501 | HARNESS, TRAY, 6 COLUMN | |
| 23357 | HARNESS, POWER INPUT | |
| 20701 | HARNESS, TRANSFORMER AND FUSE | |
| 20730 | HARNESS, BALLAST, DUAL LAMP 110V | 110V UNITS |
| 24025 | HARNESS, BALLAST, DUAL LAMP 220V | 220V UNITS |
| 21426 | HARNESS, DELIVERY SENSOR DETECTOR, | |
| 21432 | HARNESS, DISPLAY, SENSIT II | |
| 21485 | HARNESS, ON/OFF SWITCH | |

THIS PAGE INTENTIONALLY LEFT BLANK

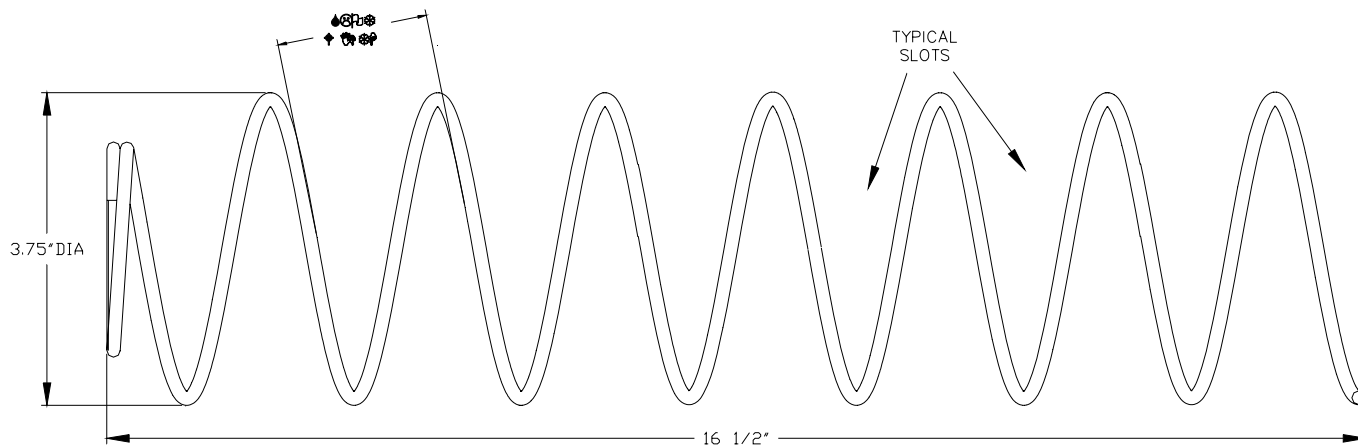
HELIX ILLUSTRATIONS



TYPICAL 1.5 HELIX



TYPICAL SMALL HELIX



TYPICAL LARGE HELIX

HELIX PARTS LIST

| PART NO. | HELIX DESCRIPTION * | SLOT (VEND) WIDTH | NUMBER OF SLOTS (PITCH) | HELIX OUTSIDE DIAMETER | TURNS | QTY PER COLUMN | NOTE |
|----------|--------------------------|-------------------|-------------------------|------------------------|-------|----------------|--------------------------------------|
| 24061-07 | Helix, 1.5", CCW, Black | 2 | 7 | 1.5 | CCW | 1 | Use With Mini-Dispenser Kit 24026-01 |
| 24061-14 | Helix, 1.5", CCW, Black | 1 1/8 | 14 | 1.5 | CCW | 1 | Use With Mini-Dispenser Kit 24026-01 |
| 24061-23 | Helix, 1.5", CCW, Black | 5/8 | 23 | 1.5 | CCW | 1 | Use With Mini-Dispenser Kit 24026-01 |
| 24031-03 | Helix, 2.6", CW, Black | 3 5/8 | 3 | 2.6 | CW | 1 Set | Use With 23549-03 To Couple Motors |
| 24031-04 | Helix, 2.6", CW, Black | 2 3/4 | 4 | 2.6 | CW | 1 Set | Use With 23549-04 To Couple Motors |
| 24031-07 | Helix, 2.6", CW, Black | 2 | 7 | 2.6 | CW | 1 Set | Use With 23549-07 To Couple Motors |
| 24031-08 | Helix, 2.6", CW, Black | 1 3/4 | 8 | 2.6 | CW | 1 Set | Use With 23549-08 To Couple Motors |
| 24031-10 | Helix, 2.6", CW, Black | 1 3/8 | 10 | 2.6 | CW | 1 | |
| 23549-03 | Helix, 2.6", CCW, Black | 3 5/8 | 3 | 2.6 | CCW | 1 | |
| 23549-04 | Helix, 2.6", CCW, Black | 3 1/8 | 4 | 2.6 | CCW | 1 | |
| 23549-05 | Helix, 2.6", CCW, Black | 2 3/4 | 5 | 2.6 | CCW | 1 | |
| 23549-06 | Helix, 2.6", CCW, Black | 2 1/4 | 6 | 2.6 | CCW | 1 | |
| 23549-07 | Helix, 2.6", CCW, Black | 2 | 7 | 2.6 | CCW | 1 | |
| 23549-08 | Helix, 2.6", CCW, Black | 1 3/4 | 8 | 2.6 | CCW | 1 | |
| 23549-11 | Helix, 2.6", CCW, Black | 1 .5 | 11 | 2.6 | CCW | 1 | |
| 23549-13 | Helix, 2.6", CCW, Black | 1 3/16 | 13 | 2.6 | CCW | 1 | |
| 23549-17 | Helix, 2.6", CCW, Black | 1 | 17 | 2.6 | CCW | 1 | |
| 23976-03 | Helix, 3.75", CCW, Black | 4 1/4 | 3 | 3.75 | CCW | 1 | |
| 23976-04 | Helix, 3.75", CCW, Black | 3 5/8 | 4 | 3.75 | CCW | 1 | |
| 23976-05 | Helix, 3.75", CCW, Black | 2 3/4 | 5 | 3.75 | CCW | 1 | |
| 23976-06 | Helix, 3.75", CCW, Black | 2 1/4 | 6 | 3.75 | CCW | 1 | |
| 23976-07 | Helix, 3.75", CCW, Black | 2 | 7 | 3.75 | CCW | 1 | |
| 23976-09 | Helix, 3.75", CCW, Black | 1 3/4 | 9 | 3.75 | CCW | 1 | |
| 23976-11 | Helix, 3.75", CCW, Black | 1 3/8 | 11 | 3.75 | CCW | 1 | |
| 23976-17 | Helix, 3.75", CCW, Black | 1 | 17 | 3.75 | CCW | 1 | |