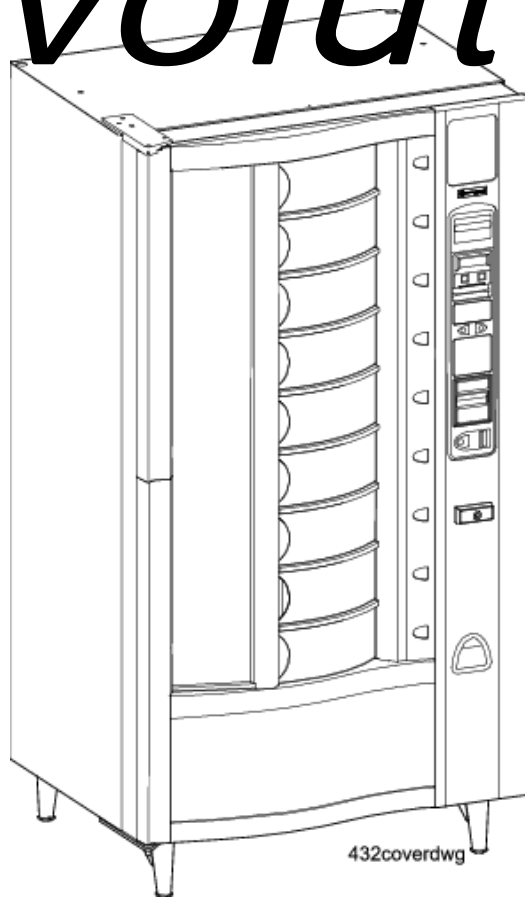


Model 432

Shopper

Model 962

Revolution



432coverdwg

Parts Manual

CRANE MERCHANDISING SYSTEMS

3330 Dixie Narco Blvd
Williston, South Carolina 29853
(800) 628-8363
(800) 523-5932
www.CraneMS.com

PLEASE

DO NOT REMOVE
MANUAL FROM
MACHINE

Copyright© 04-2011 4320037

Congratulations on your choice of a Crane Merchandising Systems Model 432 Shopper or 962 Revolution.

Your new machine embodies the performance and dependability you've come to expect in a Crane Merchandising Systems merchandiser. This product will provide years of dependable, quality service.

This machine has been engineered to our own rigid safety and performance requirements and manufactured in accordance with the safety standards of Underwriters (UL) and Canadian Standards Association (CSA). It has been designed to comply with the National Automatic Merchandising Association (NAMA) "Standard for the Sanitary Design and Construction of Food and Beverage Vending Machines".



To maintain this degree of safety and to continue to achieve the level of performance built into this machine, it is important that installation and maintenance be performed so as to not alter the original construction or wiring and that replacement parts are as specified in this Parts Manual. Your investment in this equipment will be protected by using the Operators' Guide and this Parts Manual in your operation, service and maintenance work. By following prescribed procedures, machine performance and safety will be preserved. Copies of this Parts Manual and the Operators' Guide are available on our website www.cranems.com.

Model 432

Parts and Support

Call

National Vendors

Parts: 1-800-621-7278

Service: 1-800-628-8363

www.cranems.com

For faster service, please have your account number ready before calling

Model 962

Parts and Support

Call

Automatic Products

Parts: 1-800-784-6438

Service: 1-800-523-5932

www.automaticproducts.com

List Of Figures

Section A: Exterior of Door	2
FIGURE 1: 432 Door Trim	2
FIGURE 2: Door Hinge Assemblies	4
Section B: Interior of Door	6
FIGURE 3: Door Glass and Misc. Interior Door Parts	6
FIGURE 4: Fluorescent Light Assembly	8
FIGURE 5: LED Lamp Assembly and POP Assembly - Optional (110V only)	10
FIGURE 6: Lamp Assembly - Optional POP (230v only)	12
FIGURE 7: Main Controller & Access Panel Stop	14
FIGURE 8: Manual Vend Guide Assembly-Top	16
FIGURE 9: Manual vend Guide Assembly-Middle	18
FIGURE 10: Vend Guide Assembly-Bottom (Manual and Auto)	20
FIGURE 11: Power Vend Guide Assembly-Top	22
FIGURE 12: Power Vend Guide Assembly-Middle	24
FIGURE 13: Door Switch Assembly	26
FIGURE 14: Interior Door - Miscellaneous Parts	28
FIGURE 15: Lock Bar Assembly	30
FIGURE 16: Buss bar and vend Door Lock	32
Section C: Cabinet	34
FIGURE 17: Leg Assemblies & Air Inlet/Outlet Screens	34
FIGURE 18: Base Plate Accessory	36
Section D: Turret	38
FIGURE 19: Turret	38
FIGURE 20: Turret - Top Parts	40
FIGURE 21: Turret - Bottom Parts	42
FIGURE 22: Motor Drive Assembly	44
FIGURE 23: Stop Pin Assembly	46
Section E: Refrigeration	48
FIGURE 24: Refrigeration Unit Assembly	48
FIGURE 25: Refrigeration Unit Components	50
FIGURE 26: Refrigeration Unit - Base and Condenser Fan	52
FIGURE 27: Evaporator Motor Assembly	54
FIGURE 28: Refrigeration Air Ducts	56
Section F: Monetary	58
FIGURE 29: Monetary Panel	58
FIGURE 30: Interior Monetary Panel	60
FIGURE 31: Upper Monetary - Exterior	62
FIGURE 32: Exterior Monetary Panel	64
FIGURE 33: Coin box Assy	66
FIGURE 34: Monetary Options & Interior Monetary Panel	68

Section G: Miscellaneous..... 70
FIGURE 35: Power Panel Assembly - Domestic (115V) 70
FIGURE 36: Power Panel Assembly - International (230V) 72
FIGURE 37: Power Panel Assembly - Rear - International - (230V) 74
FIGURE 38: 432/962 Wiring Diagram - Domestic - (115V) 76
FIGURE 39: 432/962 Wiring Diagram - International - (230V) 77
FIGURE 40: Harness Diagram - Power Panel 79



This document is available free of charge to our customers at www.automaticproducts.com

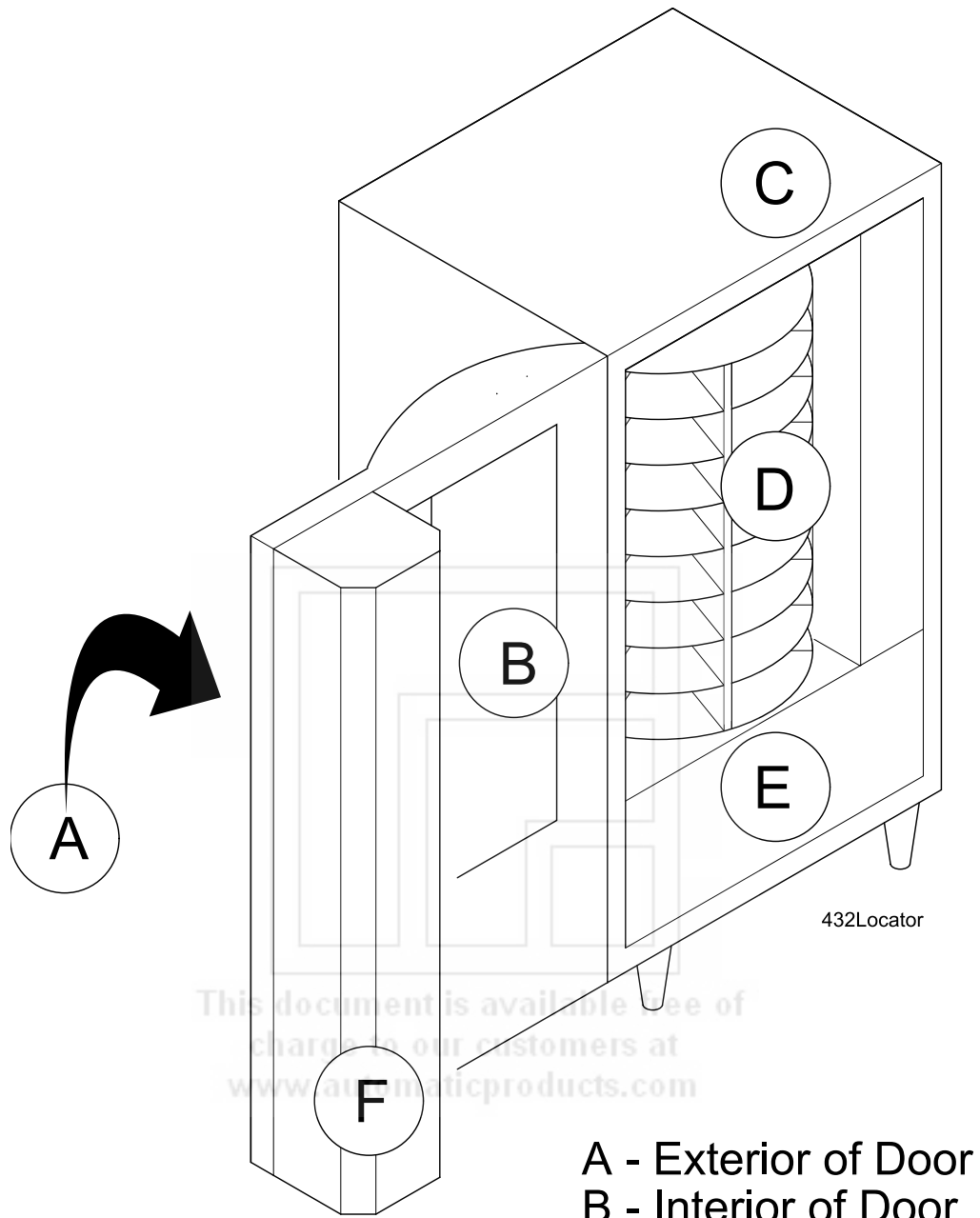
List Of Tables

Section A: Exterior of Door	2
TABLE 1: 432 Door Trim	3
TABLE 2: Door Hinge Assemblies	5
Section B: Interior of Door	6
TABLE 3: Door Glass and Misc. Interior Door Parts	7
TABLE 4: Fluorescent Light Assembly	9
TABLE 5: LED Lamp Assembly and POP Assembly - Optional (110V only)	11
TABLE 6: Lamp Assembly - Optional POP (230v only)	13
TABLE 7: Main Controller & Access Panel Stop	15
TABLE 8: Manual Vend Guide Assembly-Middle	19
TABLE 10: Vend Guide Assembly-Bottom (Manual and Auto)	21
TABLE 11: Power Vend Guide Assembly-Top	23
TABLE 12: Power Vend Guide Assembly-Middle	25
TABLE 13: Door Switch Assembly	27
TABLE 14: Interior Door - Miscellaneous Parts	29
TABLE 15: Lock Bar Assembly	31
TABLE 16: Buss Bar and Vend Door Lock	33
Section C: Cabinet	34
TABLE 17: Leg Assemblies & Air Inlet/Outlet Screens	35
TABLE 18: Base Plate Accessory	37
Section D: Turret	38
TABLE 19: Turret	39
TABLE 20: Turret - Top Parts	41
TABLE 21: Turret - Bottom Parts	43
TABLE 22: Motor Drive Assembly	45
TABLE 23: Stop Pin Assembly	47
Section E: Refrigeration	48
TABLE 24: Refrigeration Unit Assembly	49
TABLE 25: Refrigeration Unit Components	51
TABLE 26: Refrigeration Unit - Base and Condenser Fan	53
TABLE 27: Evaporator Motor Assembly	55
TABLE 28: Refrigeration Air Ducts	57
Section F: Monetary	58
TABLE 29: Monetary Panel	59
TABLE 30: Interior Monetary Panel	61
TABLE 31: Upper Monetary - Exterior	63
TABLE 32: Exterior Monetary Panel	65
TABLE 33: Coin Box Assembly	67
TABLE 34: Monetary Options & Interior Monetary Panel	69

Section G: Miscellaneous.....	70
TABLE 35: Power Panel Assembly - Domestic (115V)	71
TABLE 36: Power Panel Assembly - International (230V)	73
TABLE 37: Power Panel Assembly - Rear - International (230V)	75
TABLE 38: 432 Harness List	79
TABLE 39: Bag Assembly: 15 - B4320000 (115V)	80
TABLE 40: Bag Assembly: 15 - B4320001 (230V)	80



This document is available free of charge to our customers at www.automaticproducts.com



- A - Exterior of Door
- B - Interior of Door
- C - Cabinet
- D - Turret
- E - Refrigeration
- F - Monetary
- G - Miscellaneous

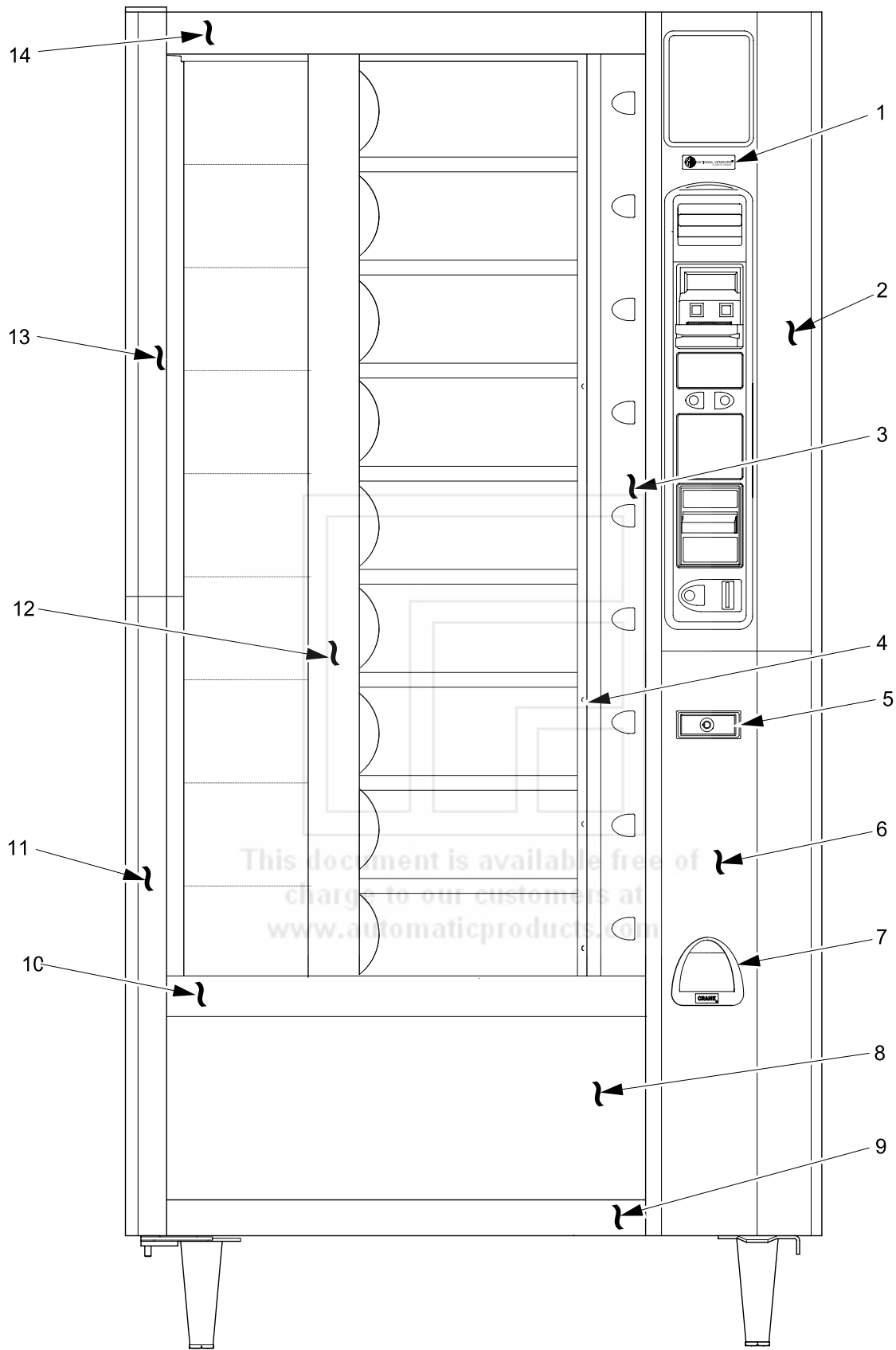


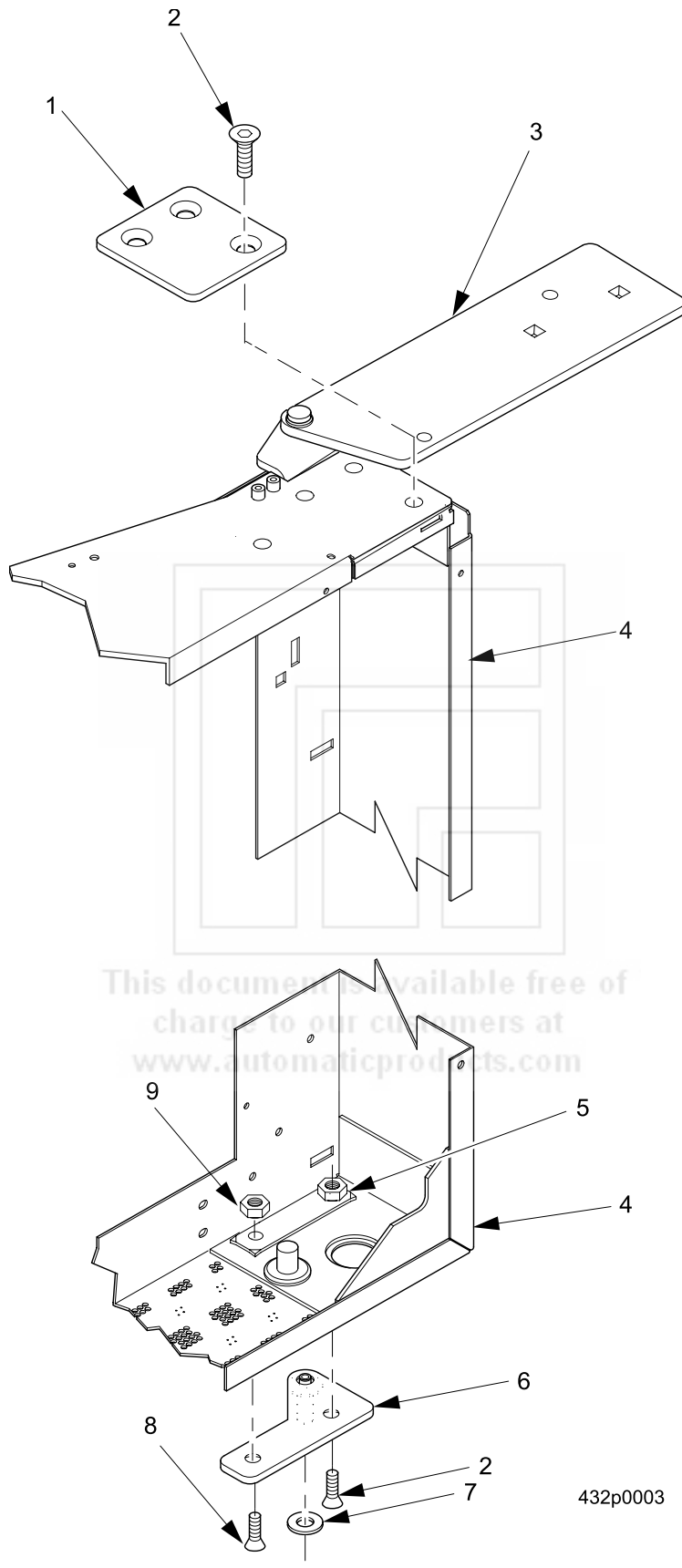
FIGURE 1: 432 DOOR TRIM

TABLE 1: 432 DOOR TRIM

INDEX	BLACK	PLATINUM	DESCRIPTION	QTY
1	4322101	4322101	PLATE - NV LOGO - 432	1
	CR0005484	CR0005484	PLATE - AP LOGO	
2	4325037	4325196	PANEL - TRIM - TOP ACCESS	1
3	4325170	4325200	WELD ASSEMBLY-ACCESS PANEL	1
4	4325088	4325199	TRIM - SIDE - ACCESS PANEL	1
5	4322113	1815118	LOCK ASSEMBLY - "T"	1
6	4325038	4325197	PANEL - TRIM - BOTTOM - ACCESS	1
7	4325064	4325198	BEZEL - COIN RETURN CUP	1
8	4322241	4322241	POP-LARGE-GRAPHICS	1
	4322318	4322318	PANEL POP-LARGE-HDPE	
9	4322070	4322326	TRIM - HORIZONTAL - LOWER S - CURVE	1
10	4322071	4322327	TRIM - HORIZONTAL - MID S - CURVE	1
11	4322087	4322329	TRIM - LEFT VERTICAL - LOWER	1
12	4322114	4322332	TRIM - POST - CENTER	1
13	4322067	4322325	TRIM - LEFT VERTICAL - UPPER	1
14	4322074	4322328	TRIM - HORIZONTAL - UPPER - CURVE	1

TABLE 1A: TRIM HARDWARE

BLACK	PLATINUM	DESCRIPTION	RETAINER	SCREW
4322074	4322328	TRIM - HORIZONTAL - UPPER - CURVE	4552371(2)	1451097(4)
4322067	4322325	TRIM - LEFT VERTICAL - UPPER	4552371(5)	--
4322087	4322329	TRIM - LEFT VERTICAL - LOWER	4552371(5)	4747171(1)
4322071	4322327	TRIM - HORIZONTAL - MID S - CURVE	4552371(4)	4747171(4)
4322070	4322326	TRIM - HORIZONTAL - LOWER S - CURVE	--	4747171(3)
4325037	4325196	PANEL - TRIM - TOP ACCESS	--	4747171(6)
4325038	4325197	PANEL - TRIM - BOTTOM - ACCESS	--	4747171(6)
4322114	4322332	TRIM - POST - CENTER	--	4312215 (4)



432p0003

FIGURE 2: DOOR HINGE ASSEMBLIES

TABLE 2: DOOR HINGE ASSEMBLIES

INDEX	PART NUMBER	DESCRIPTION	QTY
1	4322010	PLATE - CLAMP - HINGE - TOP	1
2	6232036	SCREW - 5/16 - 18X.75 FLAT HEAD SOCKET	5
3	4322288	HINGE ASSEMBLY - DOOR - TOP - NOTE: THIS HINGE IS WELDED TO CABINET ASSEMBLY	1
4	4322277	FOAMED DOOR ASSY-BLK/BLK	1
	4322330	FOAMED DOOR ASSY-PLAT/BLK	
5	6232028	PLATE ASSEMBLY - HINGE MOUNTING	1
6	4322005	HINGE & PIN ASSEMBLY - DOOR BOTTOM	1
7	4242145	BEARING-THRUST LOWER HINGE	1
8	6232208	WELD SCREW-#1/4-20 X 1"LG	1
9	1172021	NUT-1/4-20 WHIZ-LOCK	1



This document is available free of
charge to our customers at
www.automaticproducts.com

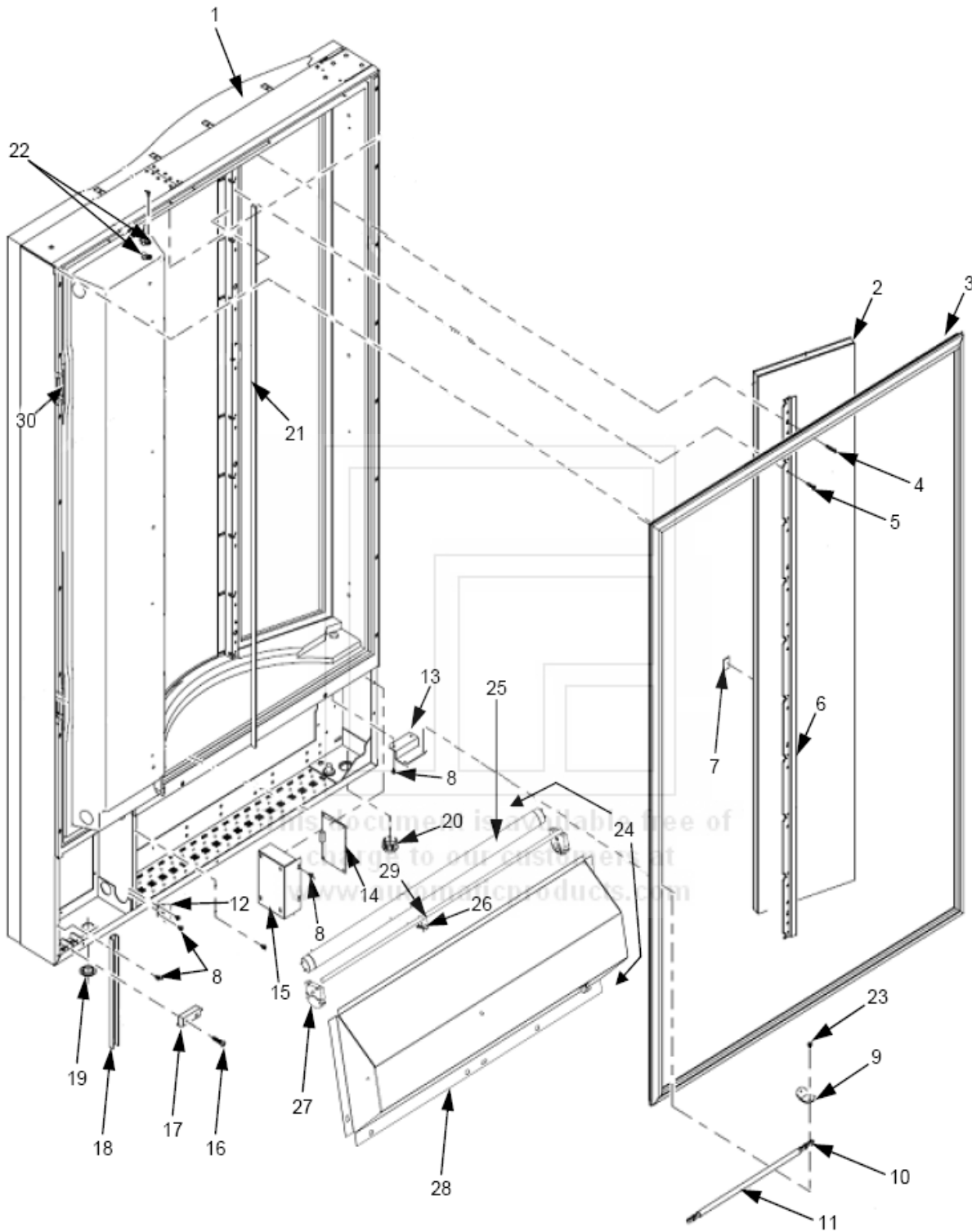


FIGURE 3: DOOR GLASS AND MISC. INTERIOR DOOR PARTS

TABLE 3: DOOR GLASS AND MISC. INTERIOR DOOR PARTS

INDEX	PART NUMBER	DESCRIPTION	QTY
1	4322277	FOAMED DOOR ASSEMBLY - BLACK/BLACK	--
	4322330	FOAMED DOOR ASSEMBLY - PLAT/BLACK	
2	4322003	GLASS ASSEMBLY - INSULATED - 24 VAC	1
3	4322002	GASKET - DOOR - BLACK	1
4	4312215	SCREW - #8-18 X 1 1/4 RHP TAPP	4
5	1572242	SCREW - #8-18 X.75 PLASTITE HH	60
6	4322137	REINF. - POST - CENTER - BLACK	1
7	4552020	TAPE-VHB-62 MIL X .6 WIDE	120"
8	1451097	SCREW - #8-32X.31 HEX HD.TF-BL	38
9	4301285	BRACKET - DOOR CHAIN	1
10	4552122	CHAIN - SASH - 13.8 LONG	1
11	4552121	COVER - CHAIN	1
12	4322310	PLATE-STRIKE-PWR. PNL.	1
13	4322152	BRACKET - CHAIN - DOOR	1
14	4326020	PCB ASSEMBLY - INTERFACE	1
15	4322281	COVER - ELECTRIC - I/O BOARD	1
16	4312213	SCREW - #8-18 X 1 1/4 RHP TAPPING	2
17	4322266	GLIDE - DOOR	1
18	4321063	CHANNEL - SUPPORT - DOOR	1
19	6231034	PLUG - HOLE	1
20	4311096	PLUG - FOAMING HOLE	1
21	4322091	TAPE - SPONGE - .42 X .19	1
22	4322284	COVER WIRE GUIDE	2
23	4741050	SCREW-#8-32 X .50 HX.HD.-T/F-B	4
24	4322083	LAMP ASSY-P.O.P.-115V-FLUOR SEE PAGE 12 FOR 230V FLOUR ASSEMBLY SEE PAGE 10 FOR LED ASSEMBLY	--
25	7847020	LAMP-FLUORESCENT-17 WATT	1
26	1451097	SCREW-#8-32X.31 HEX HD.TF-BLK.	16
27	4329038	HARNESS-POP LAMP	1
28	4322187	PANEL-LAMP-POP-115V	1
29	1452139	RETAINER-HARNESS	1
30	4322282	GUARD-GASKET	2

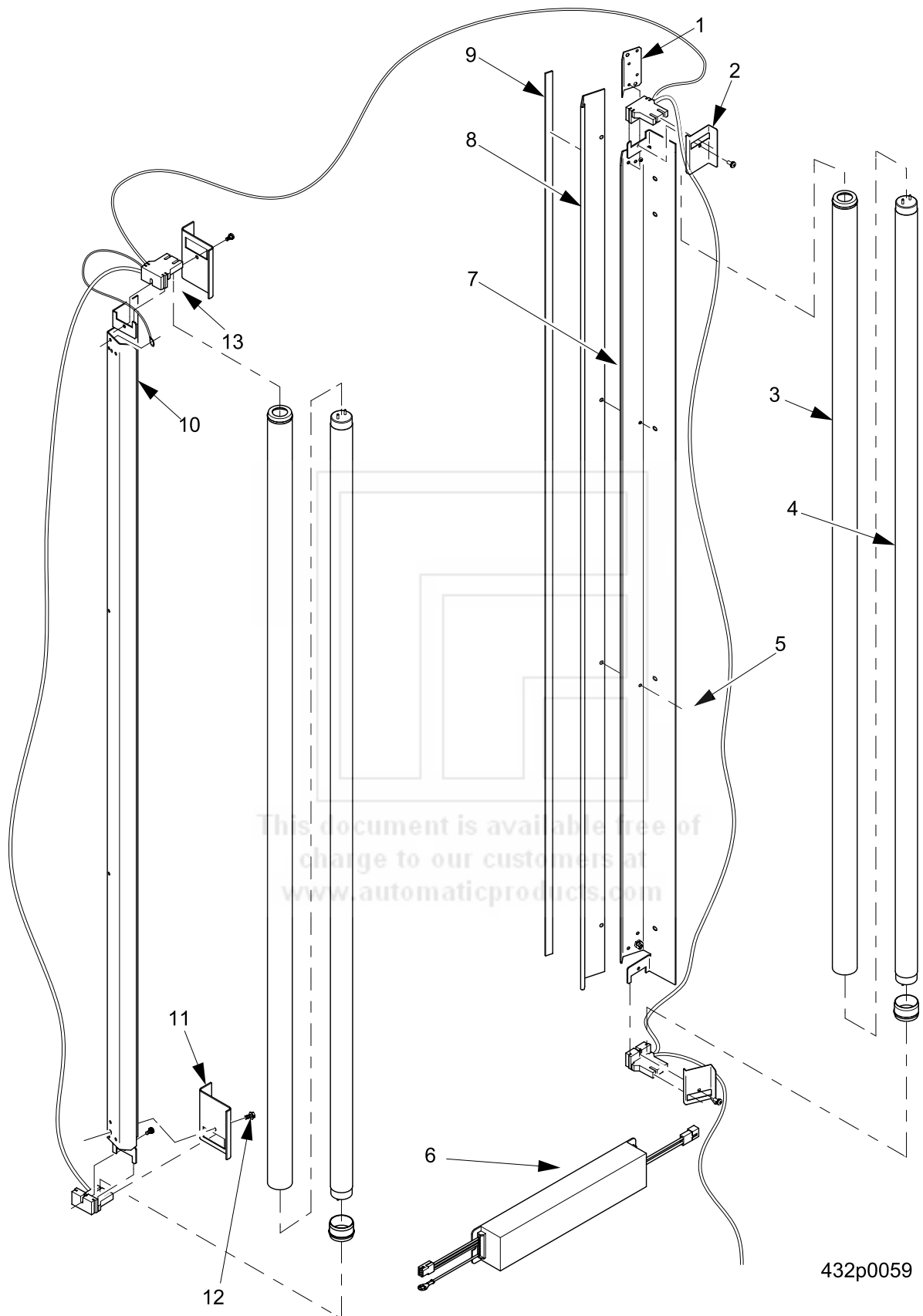


FIGURE 4: LIGHT ASSEMBLY

TABLE 4: LIGHT ASSEMBLY

INDEX	PART NUMBER	DESCRIPTION	QTY
--	4322245	LAMP ASSEMBLY - FLUORESCENT - DOOR - (115V)	--
	4322172	LAMP ASSEMBLY - FLUORESCENT - DOOR - (230V)	
1	4322263	SHIELD-UPPER, WIRING, LAMP	1
2	4322262	COVER-UPPER, WIRING, LAMP	2
3	4322066	SAFETY LAMP SLEEVE W/END CAPS	2
4	4322065	LAMP - FLUORESCENT - 32 WATT - (115V)	2
	4322169	LAMP - FLUORESCENT - 36 WATT - (230V)	
5	1452139	RETAINER-HARNESS	4
6	4329055	BALLAST - ASSEMBLY - ELECTRONIC - (115V)	1
	4329064	BALLAST-ASSY ELECTRONIC - (230V)	1
7	4322264	ASSY-BRACKET, LAMP	1
8	4322258	PANEL-TRIM-LAMP-BLACK	1
9	4727069	GASKET-.19X.38	50.37
10	4322264	ASSY-BRACKET, LAMP	1
11	4322261	COVER-LOWER, WIRING, LAMP	2
12	9900107	SCREW-#6-32 X 5/16-RHS-W/LKW	4
13	4329056	HARNESS - LAMP TO BALLAST - (115V)	1
	4329057	HARNESS - LAMP TO BALLAST - (230V)	

This document is available free of charge to our customers at www.automaticproducts.com

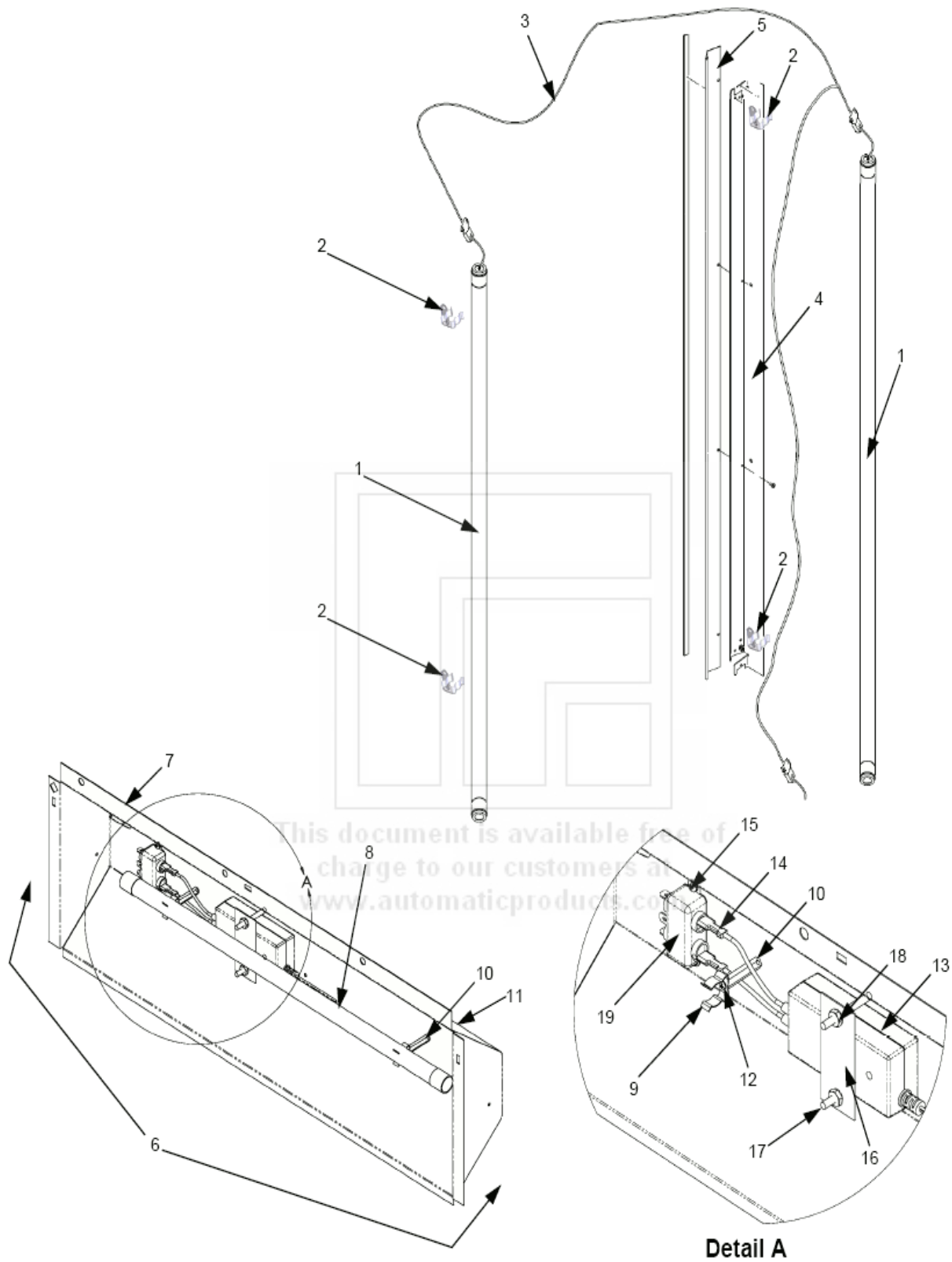


FIGURE 5: LED LIGHTING ASSEMBLY (OPTIONAL)

TABLE 5: LED LIGHTING ASSEMBLY (OPTIONAL)

INDEX	PART NUMBER	DESCRIPTION	QTY
1	1811085	ASSY-48 LED-1200MM	2
2	1672177	ASSY-MTG-CLIP-ADJ-LED	4
3	4329069	HARNESS-LED-LIGHTING	1
4	4322264	ASSY-BRACKET, LAMP	1
5	4322258	PANEL-TRIM-LAMP-BLACK	1
6	4322323	LAMP ASSY-POP-115/230V-LED	--
7	4322187	PANEL-LAMP-POP-115V	1
8	1672174	ASSY-24 LED-500MM	1
9	1672173	CLIP-SPRING STEEL-LED	2
10	AP13100065	HEX STANDOFF M/F THD 4-40X1.25	2
11	1217159	4-40 KEPS W/EXT L/WAS H ZP	2
12	1212140	SCREW-#4-40 X 1/4 RHS	2
13	9985050	SMPS-LINE TO 24VDC-NO CORD	1
14	9985062	HARNESS-SMPS PWR ADAPTER	1
15	9900201	SCREW #8-32X5/16 RHS SEMS MACH	2
16	9331026	PLATE-MNTG-LED PWR SUP	1
17	4731070	SCREW-#10-32 X 1.75 PHS	2
18	9900164	NUT #10-32 KEPS ZINC PLATE	2
19	AP380303	FILTER-LIGHT	1
NS	4329070	HARNESS-PWR-LED FILTER (NOT SHOWN)	1

This document is available free of charge to our customers at www.automaticproducts.com

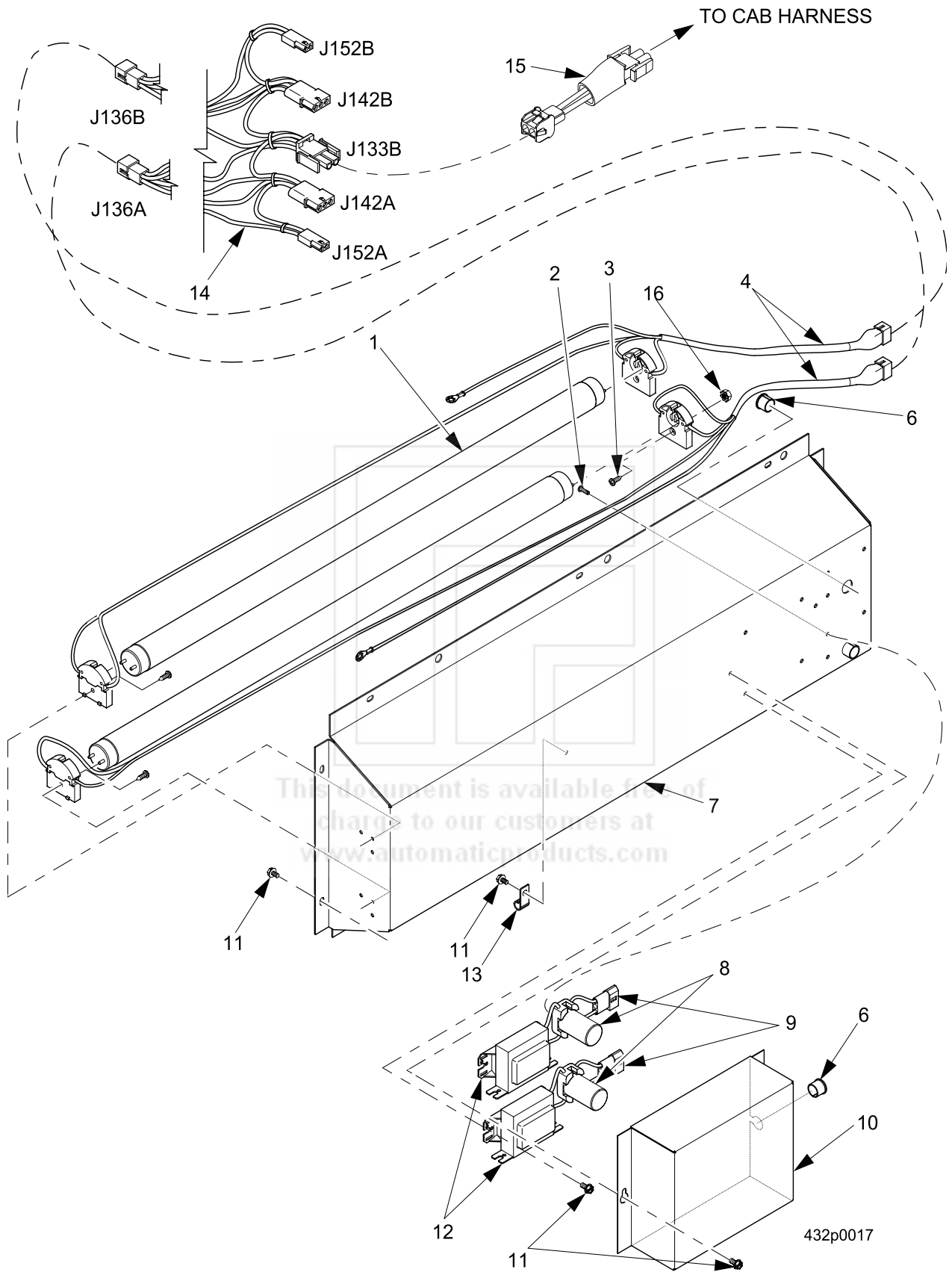
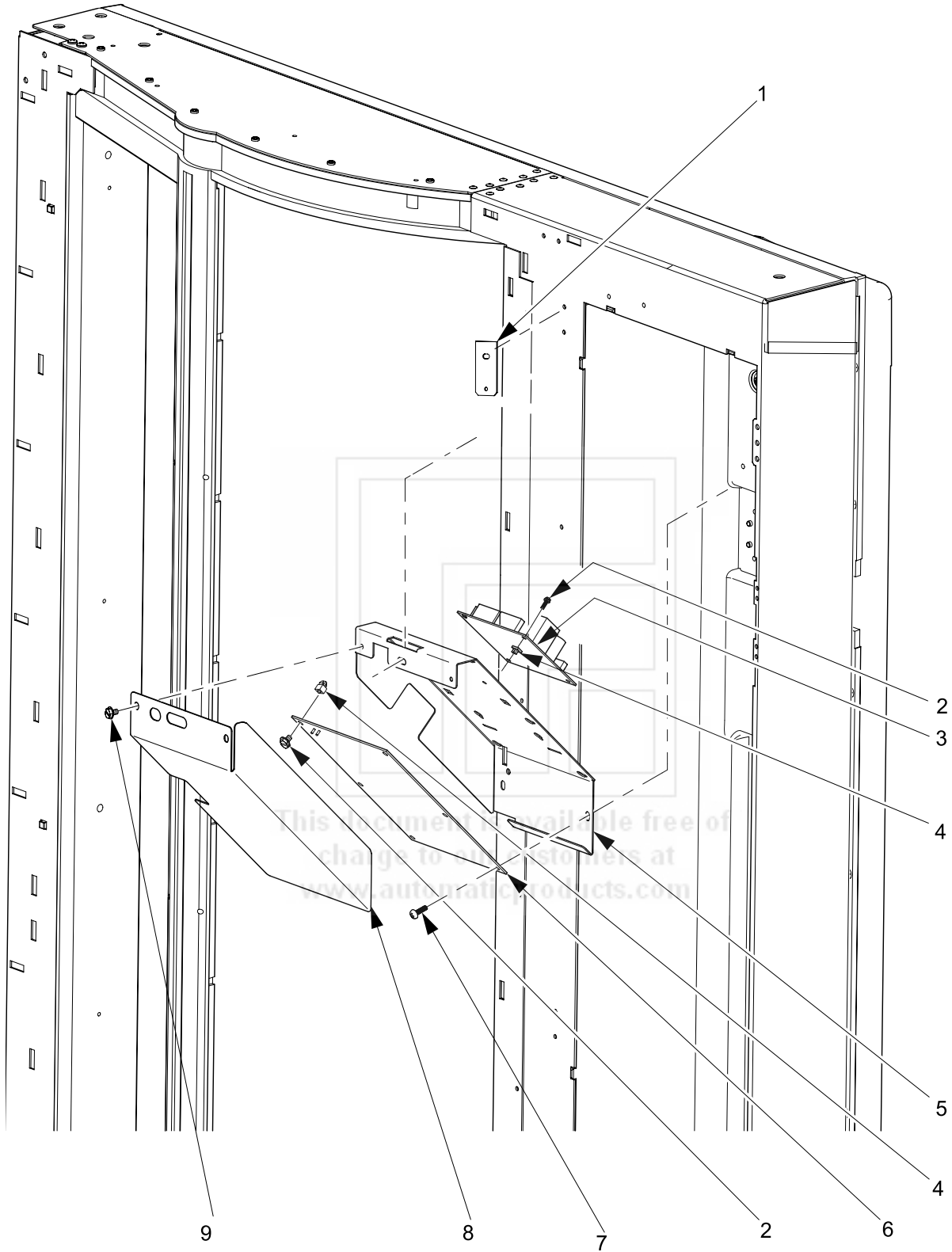


FIGURE 6: LAMP ASSEMBLY - POP (230V ONLY)

TABLE 6: LAMP ASSEMBLY - POP (230V ONLY)

INDEX	PART NUMBER	DESCRIPTION	QTY
--	4322166	LAMP ASSEMBLY - P.O.P. - 50HZ (230V)	--
1	6732034	LAMP - FLUORESCENT - 18W (F18T8CW/K24)	2
2	4271062	SCREW - #4-24 X .375 PH Z-P S.	4
3	1212139	SCREW - SHEET METAL - #6 X .44	4
4	4329019	HARNESS - POP LAMP	2
5	4329001	HARNESS - LAMP TO POWER PANEL	1
6	3502097	BUSHING #OCB-500	3
7	4322182	PANEL - LAMP - P.O.P. - WHITE	1
8	2222095	STARTER FS-2, FLUORESCENT LAMP	2
9	4319008	STARTER SOCKET ASSEMBLY	2
10	4322179	COVER - BALLAST - P.O.P.	1
11	1451097	SCREW - #8-32X.31 HEX HD.TF - BLACK	16
12	6332009	BALLAST ASSEMBLY - 18 WATT - (230V)	2
13	1452139	RETAINER-HARNESS	2
14	4329010	HARNESS - POP - BALLAST	1
15	1679005	FLST. LIGHT FILTER-120/230V	1
16	1217159	4-40 KEPS W/EXT L/WAS H ZP	4

This document is available free of
charge to our customers at
www.automaticproducts.com



432p0041

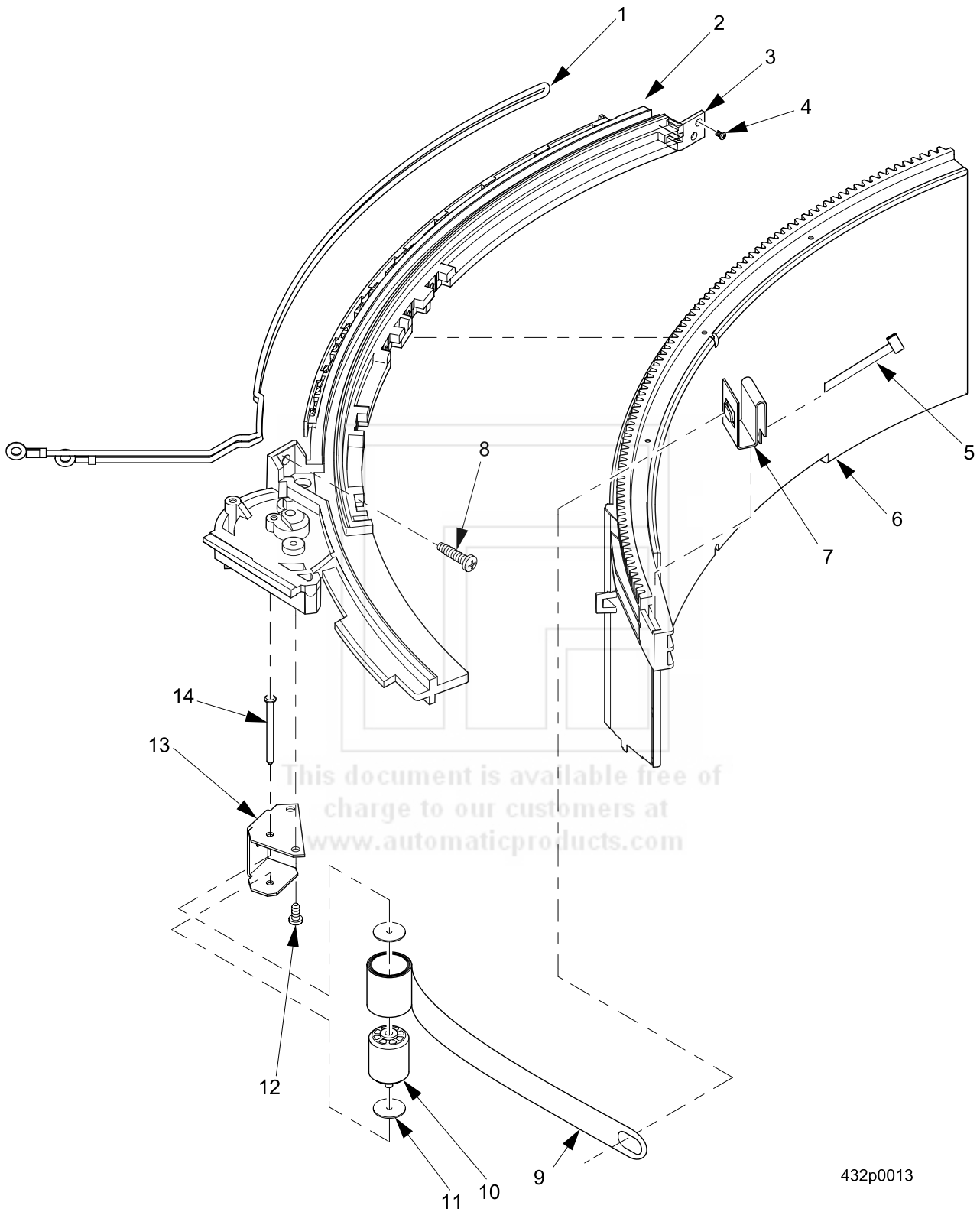
FIGURE 7: MAIN CONTROLLER & ACCESS PANEL STOP

TABLE 7: MAIN CONTROLLER & ACCESS PANEL STOP

INDEX	PART NUMBER	DESCRIPTION	QTY
1	4325180	PLATE-CONTROLLER BOARD MOUNT	1
2	1471199	SCREW-#8-18 X .62 HEX/WH.	2
3	4326046	PCB ASSY SOLENOID W/O MOTOR	1
	4326045	PCB ASSY SOLENOID W/ MOTOR	
4	4241165	SPACER-LINER-.375LG X.500 DIA	2
5	4325179	HOUSING - MAIN CONTROLLER BOARD	1
6	9989859	MAIN CONTROLLER PCB W/O EPROM	1
	4326049	IC ASSY-VER 432.08	1
7	4277042	SCREW-#8-10 X.5 T/F-PHS	2
8	4325178	COVER MAIN CONTROLLER-BOARD	1
9	1451097	SCREW - #8-32X.31 HEX HD.TF-BL	2



This document is available free of charge to our customers at www.automaticproducts.com



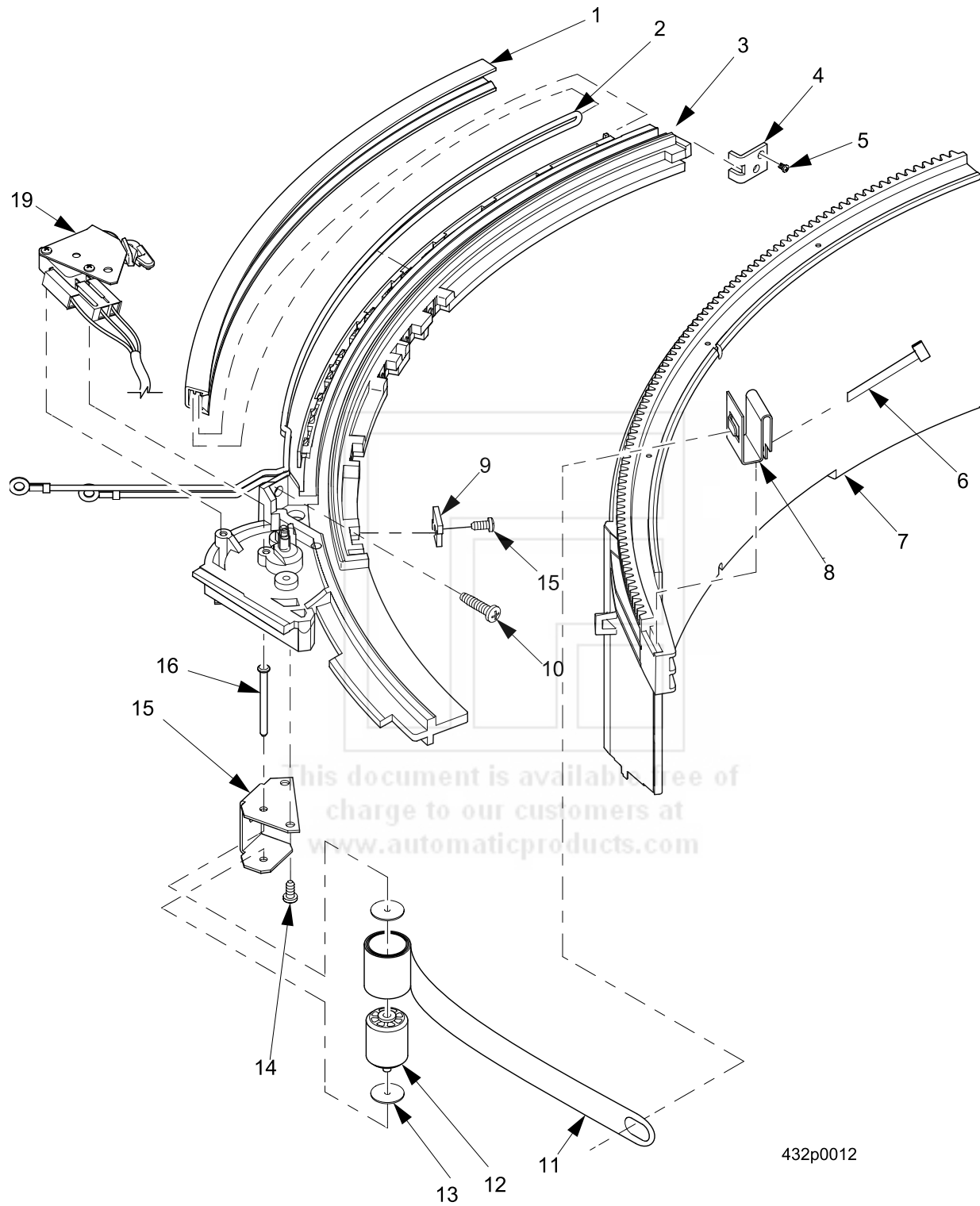
432p0013

FIGURE 8: MANUAL VEND GUIDE ASSEMBLY-TOP

TABLE 8: MANUAL VEND GUIDE ASSEMBLY-TOP

INDEX	PART NUMBER	DESCRIPTION	QTY
--	4322160	GUIDE ASSEMBLY - VEND - TOP - MANUAL	1
--	4322158	GUIDE & HEATER ASSEMBLY - VEND (ITEMS 1-2)	1
1	4326000	WIRE & TERMINAL ASSEMBLY - HEATER DOOR - 24 VAC	1
2	4322051	GUIDE - DOOR - VEND	1
3	4322136	RETAINER - GUIDE	1
4	1472132	SCREW - #6-32 X .25 PHS T/C	2
5	4042121	WIRE TIE-#PLT1M-M20	1
6	4322133	WELD ASSEMBLY - VEND DOOR	1
7	4322138	HOLDER - SPRING - RETURN - MANUAL	1
8	1572242	SCREW - #8-18 X.75 PLASTITE HHS	2
--	4322197	SPRING & ROLLER ASSEMBLY-DOOR-RET (ITEMS 9-11,13,14)	
9	4322235	SPRING - DOOR	1
10	4321232	ROLLER - SUPPORT - DOOR	1
11	4363031	WASHER - VEND DOOR SPRING ASSEMBLY	2
12	4321168	SCREW - #6-19 X .31 PHIL.PHS.T/C	2
13	4322196	BRACKET - ROLLER - SPRING RETURN	1
14	4322198	PIN - ROLLER	1

This document is available free of
charge to our customers at
www.automaticproducts.com



432p0012

FIGURE 9: MANUAL VEND GUIDE ASSEMBLY-MIDDLE

TABLE 9: MANUAL VEND GUIDE ASSEMBLY-MIDDLE

INDEX	PART NUMBER	DESCRIPTION	QTY
--	4322162	GUIDE ASSEMBLY - VEND - MID - MANUAL	8
1	4322100	COVER - GUIDE - VEND	1
--	4322158	GUIDE & HEATER ASSEMBLY - VEND (ITEMS 2-3)	--
2	4326000	WIRE & TERMINAL ASSEMBLY - HEATER DOOR - 24VAC	1
3	4322051	GUIDE - DOOR - VEND	1
4	4322136	RETAINER - GUIDE	1
5	1472132	SCREW - #6-32 X .25 PHS T/C	2
6	4042121	WIRE TIE -#PLT1M-M20	1
7	4322133	WELD ASSEMBLY - VEND DOOR	1
8	4322138	HOLDER - SPRING - RETURN - MANUAL	1
9	4322286	STOP - VEND - DOOR	1
10	1572242	SCREW - #8-18 X.75 PLASTITE HHS	2
--	4322197	SPRING & ROLLER ASSEMBLY - DOOR - RETURN (ITEMS 11-13, 15,16)	--
11	4322235	SPRING - DOOR	1
12	4321232	ROLLER - SUPPORT - DOOR	1
13	4363031	WASHER - VEND DOOR SPRING ASSEMBLY	2
14	4321168	SCREW - #6-19 X .31 PHIL.PHS.T/C	2
15	4322196	BRACKET - ROLLER - SPRING RETURN	1
16	4322198	PIN - ROLLER	1
17	--	SEE FIGURE 13 DOOR SWITCH ASSEMBLY	1

This document is available free of
charge to our customers at
www.automaticproducts.com

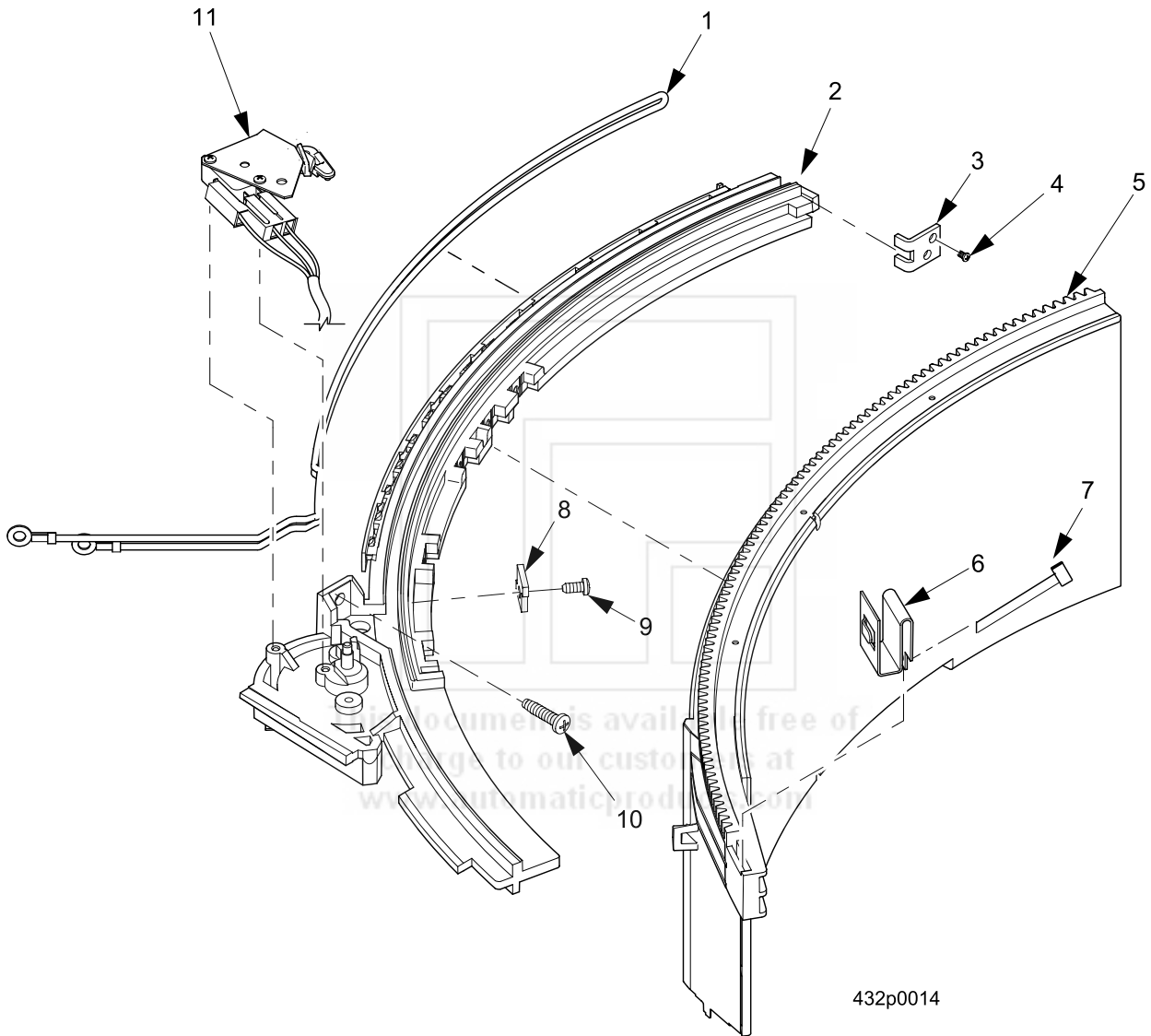


FIGURE 10: VEND GUIDE ASSEMBLY-BOTTOM (MANUAL AND AUTO)

TABLE 10: VEND GUIDE ASSEMBLY-BOTTOM (MANUAL AND AUTO)

INDEX	PART NUMBER	DESCRIPTION	QTY
--	4322164	GUIDE ASSEMBLY - VEND - BOTTOM	--
--	4322158	GUIDE & HEATER ASSEMBLY - VEND (ITEMS 1-2)	1
1	4326000	WIRE & TERMINAL ASSEMBLY - HEATER DR - 24 VAC	1
2	4322051	GUIDE - DOOR - VEND	1
3	4322136	RETAINER - GUIDE	1
4	1472132	SCREW - #6-32 X .25 PHS T/C	2
5	4322133	WELD ASSEMBLY - VEND DOOR	1
6	4322138	HOLDER - SPRING - RETURN - MANUAL (MANUAL DOOR ONLY)	1
7	4042121	WIRE TIE-#PLT1M-M20	1
8	4322286	STOP - VEND - DOOR	1
9	4321168	SCREW - #6-19 X .31 PHIL.PHS.T/C	1
10	1572242	SCREW - #8-18 X.75 PLASTITE HHS	2
11	--	SEE FIGURE 13 DOOR SWITCH ASSEMBLY	1

This document is available free of charge to our customers at www.automaticproducts.com

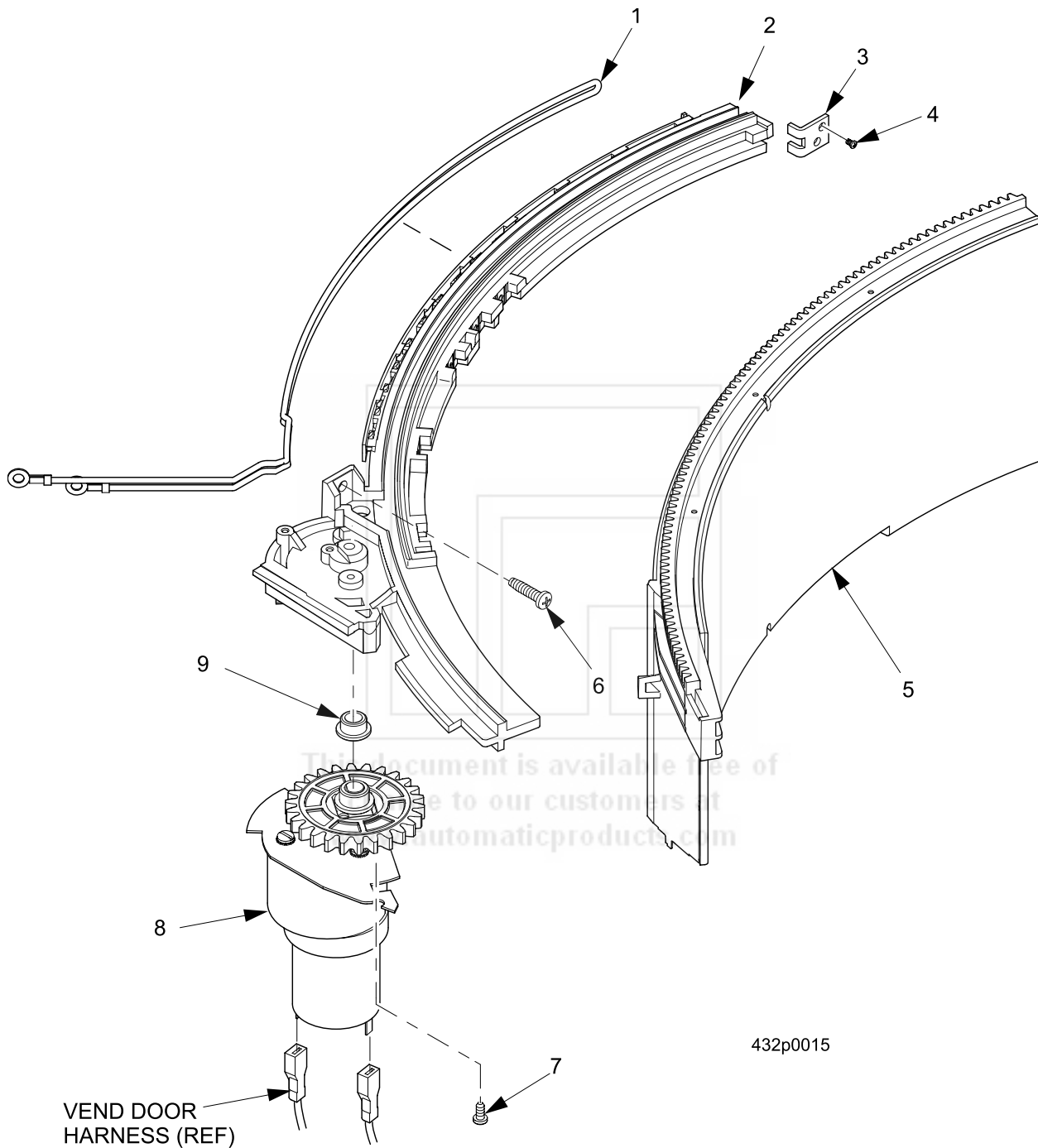


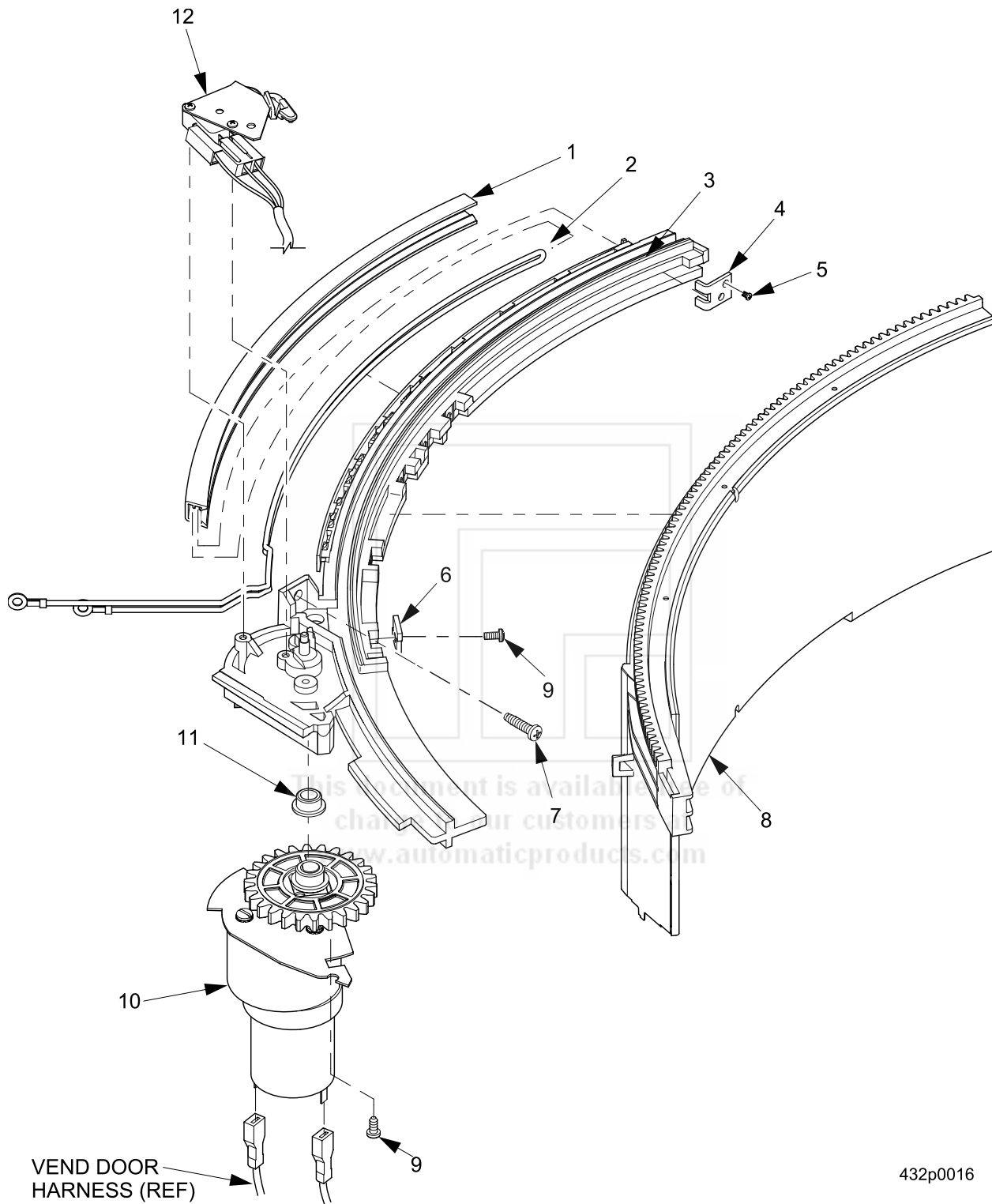
FIGURE 11: POWER VEND GUIDE ASSEMBLY-TOP

TABLE 11: POWER VEND GUIDE ASSEMBLY-TOP

INDEX	PART NUMBER	DESCRIPTION	QTY
--	4322161	GUIDE ASSEMBLY - VEND - TOP - POWER	--
--	4322158	GUIDE & HEATER ASSEMBLY - VEND (ITEMS 1-2)	1
1	4326000	WIRE & TERMINAL ASSEMBLY - HEATER DOOR - 24 VAC	1
2	4322051	GUIDE - DOOR - VEND	1
3	4322136	RETAINER - GUIDE	1
4	1472132	SCREW - #6-32 X .25 PHS T/C	2
5	4322133	WELD ASSEMBLY - VEND DOOR	1
6	1572242	SCREW - #8-18 X.75 PLASTITE HHS	1
7	4321168	SCREW - #6-19 X .31 PHIL.PHS.T/	1
8	4322148	MOTOR BRACKET & GEAR ASSEMBLY - VEND	1
9	4322116	BEARING - SHOULDER - BRONZE	1



This document is available free of
charge to our customers at
www.automaticproducts.com



432p0016

FIGURE 12: POWER VEND GUIDE ASSEMBLY-MIDDLE

TABLE 12: POWER VEND GUIDE ASSEMBLY-MIDDLE

INDEX	PART NUMBER	DESCRIPTION	QTY
--	4322163	GUIDE ASSEMBLY - VEND - MID - POWER	--
1	4322100	COVER - GUIDE - VEND	1
--	4322158	GUIDE & HEATER ASSEMBLY - VEND (ITEMS 2-3)	1
2	4326000	WIRE & TERMINAL ASSEMBLY - HEATER DOOR - 24 VAC	1
3	4322051	GUIDE - DOOR - VEND	1
4	4322136	RETAINER - GUIDE	1
5	1472132	SCREW - #6-32 X .25 PHS T/C	2
6	4322286	STOP - VEND - DOOR	1
7	1572242	SCREW - #8-18 X.75 PLASTITE HHS	1
8	4322133	WELD ASSEMBLY - VEND DOOR	1
9	4321168	SCREW - #6-19 X .31 PHIL.PHS.T/C	1
10	4322148	MOTOR BRACKET & GEAR ASSEMBLY - VEND	1
11	4322116	BEARING - SHOULDER - BRONZE	1
12	--	SEE FIGURE 13 DOOR SWITCH ASSEMBLY	1

This document is available free of
charge to our customers at
www.automaticproducts.com

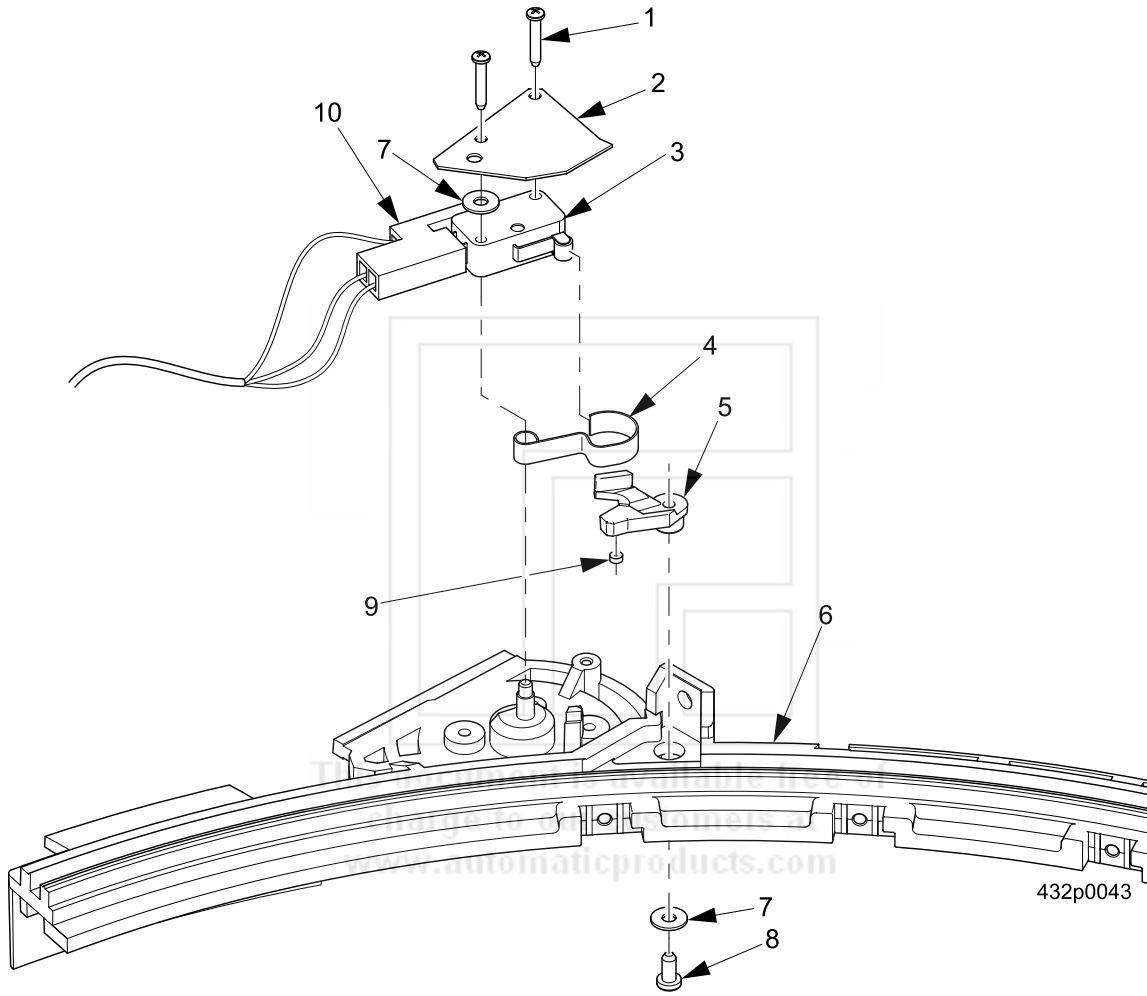
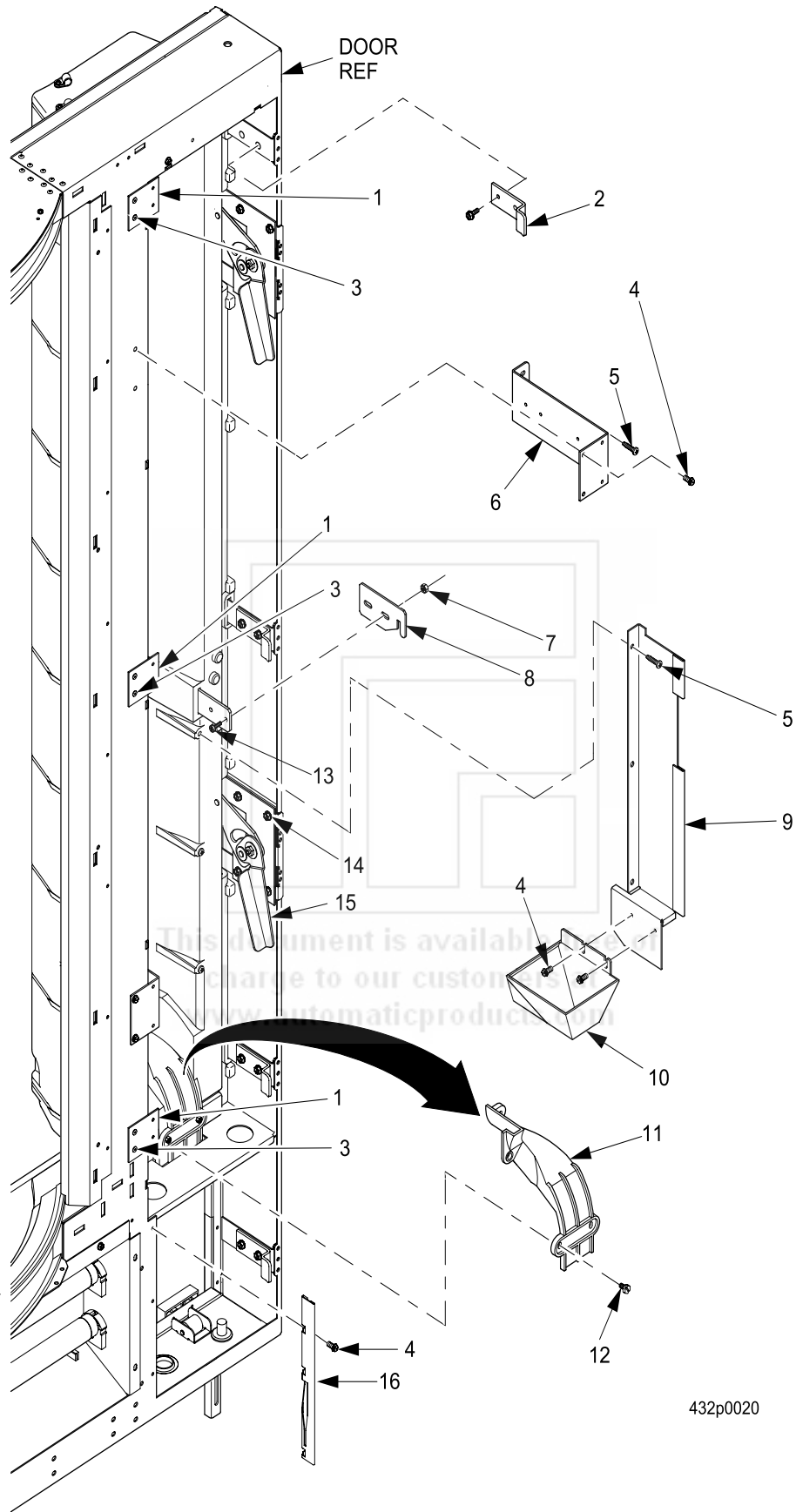


FIGURE 13: DOOR SWITCH ASSEMBLY

TABLE 13: DOOR SWITCH ASSEMBLY

INDEX	PART NUMBER	DESCRIPTION	QTY
1	4322141	SCREW-#3-24 X .62 PLASTITE-PN-	2
2	4322155	COVER-MICRO SWITCH	1
3	9984634	SWITCH-ROLLER LEVER	1
4	4322130	SPRING-SWITCH-DOOR-VEND	1
5	4322225	CAM-MICRO SWITCH	1
6	4322158	GUIDE & HEATER ASSY-VEND	1
7	9900065	WASHER STEEL 3/8 X .147 X .031	2
8	1472132	SCREW-#6-32 X .25 PHS T/C	1
9	4322224	ROLLER-CAM-MICRO SWITCH	1
10	4329073	HARNESS, VEND DOOR MANUAL	1
	4329072	HARNESS, VEND DOOR POWER	
NS	4329074	JUMPER, MOTOR POWER	--

This document is available free of charge to our customers at www.automaticproducts.com



432p0020

FIGURE 14: INTERIOR DOOR - MISCELLANEOUS PARTS

TABLE 14: INTERIOR DOOR - MISCELLANEOUS PARTS

INDEX	PART NUMBER	DESCRIPTION	QTY
1	4327019	TAP PLATE - LATCH ARM	3
2	4322056	LATCH - DOOR - MONETARY	4
3	3502078	RIVET - POP - .125 DIA X .265	6
4	1451097	SCREW - #8-32X.31 HEX HD.TF-BL	37
5	4277042	SCREW- #8-18 X ,75 PLASTITE HH	3
6	4322035	BRACKET - MOUNT - SLIDE	2
7	9900081	NUT #8-32 KEPS ZINC PLATE	2
8	4325131	ARM LOCK-MONETARY	1
9	4325167	SIDE-FILLER-MONETARY	1
10	4325068	CHUTE-PAYOUT	1
11	4322128	CHUTE- MONEY BOX	1
12	4277042	SCREW - #8-10X.38 HEX HD.TF	3
13	1451097	SCREW #8-32 X 9/16 P/H PHIL.	2
14	1141046	SCREW - #10-32X3/8 ACORN HEX W	14
15	4322307	LATCH/PLATE ASSEMBLY	2
16	4322250	ANGLE-BACKUP, POP	1

This document is available free of
charge to our customers at
www.automaticproducts.com

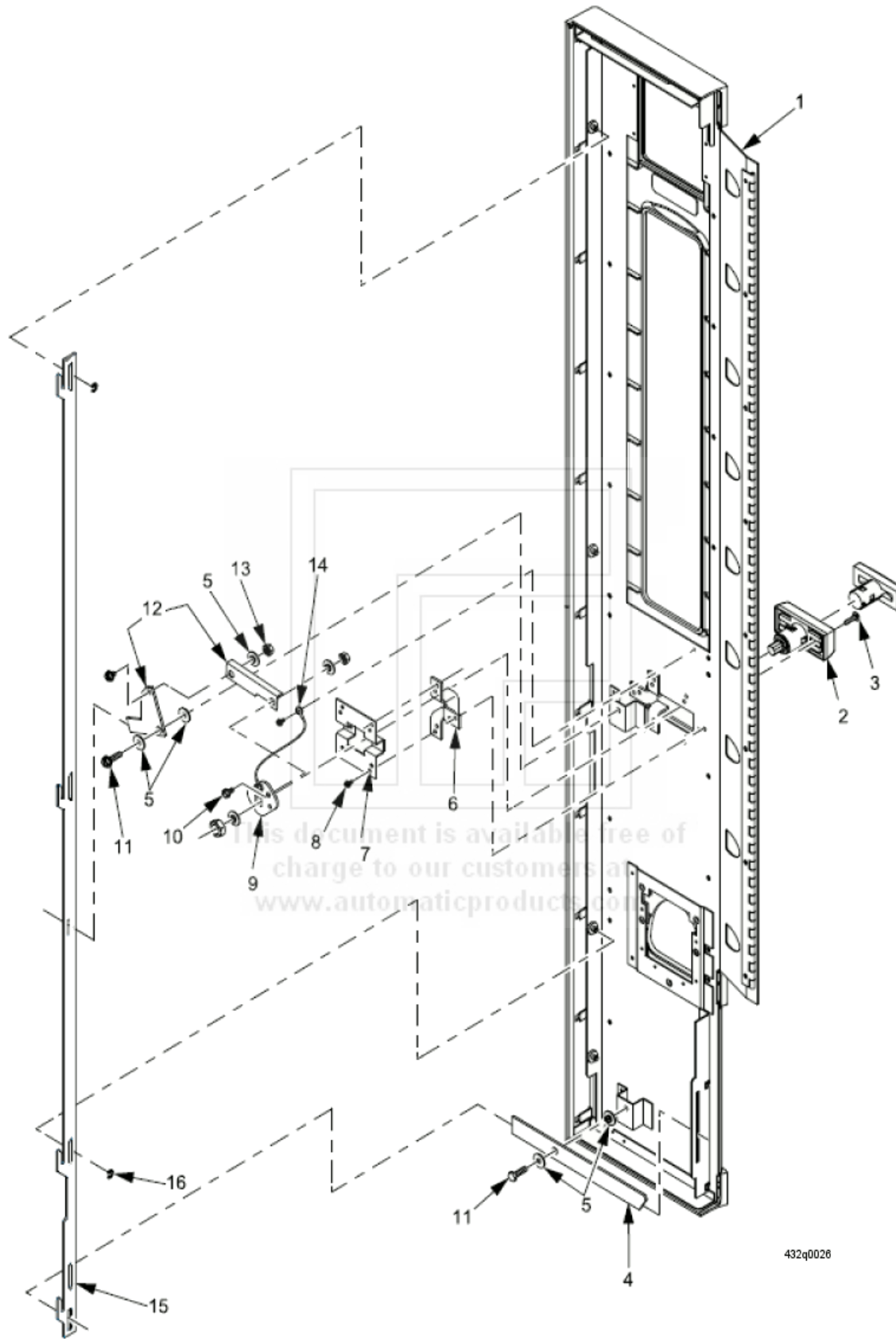


FIGURE 15: LOCK BAR ASSEMBLY

TABLE 15: LOCK BAR ASSEMBLY

INDEX	BLACK	PLATINUM	DESCRIPTION	QTY
1	4325170	4325200	WELD ASSEMBLY - ACCESS PANEL	1
2	4322113	1815118	LOCK ASSEMBLY - "T"	1
3	4307024	4307024	CARRIAGE BOLT - #10-24 X 1.0	2
4	4325144	4325144	BAR - LOCK, LOWER	1
5	6233028	6233028	BUSHING	6
6	4325121	4325121	REINFORCEMENT - LOCK - SIDE	2
7	4325122	4325122	MOUNT - LOCK - ACCESS PANEL	1
8	4741050	4741050	SCREW - #8-32 X .50 HX.HD.-T	6
9	--	--	NOT SOLD SEPARATELY - ORDER P/N 4325191	
10	6262021	6262021	SCREW - 1/4 X 20 X .5 HEX HD	4
11	1141054	1141054	SCREW - 1/4-20 X 3/4 HEX HD	4
12	4325191	4325191	DRIVEN - ACTUATOR - LOCK	1
13	1211105	1211105	1/4-20 KEPS NUT EXT LW ZP	2
14	9989883	9989883	WIRE - GROUND - 5"	1
15	4325183	4325183	LOCKBAR	1
16	9900425	9900425	RETAINING RING REINF E TYP.250	7

This document is available free of
charge to our customers at
www.automaticproducts.com

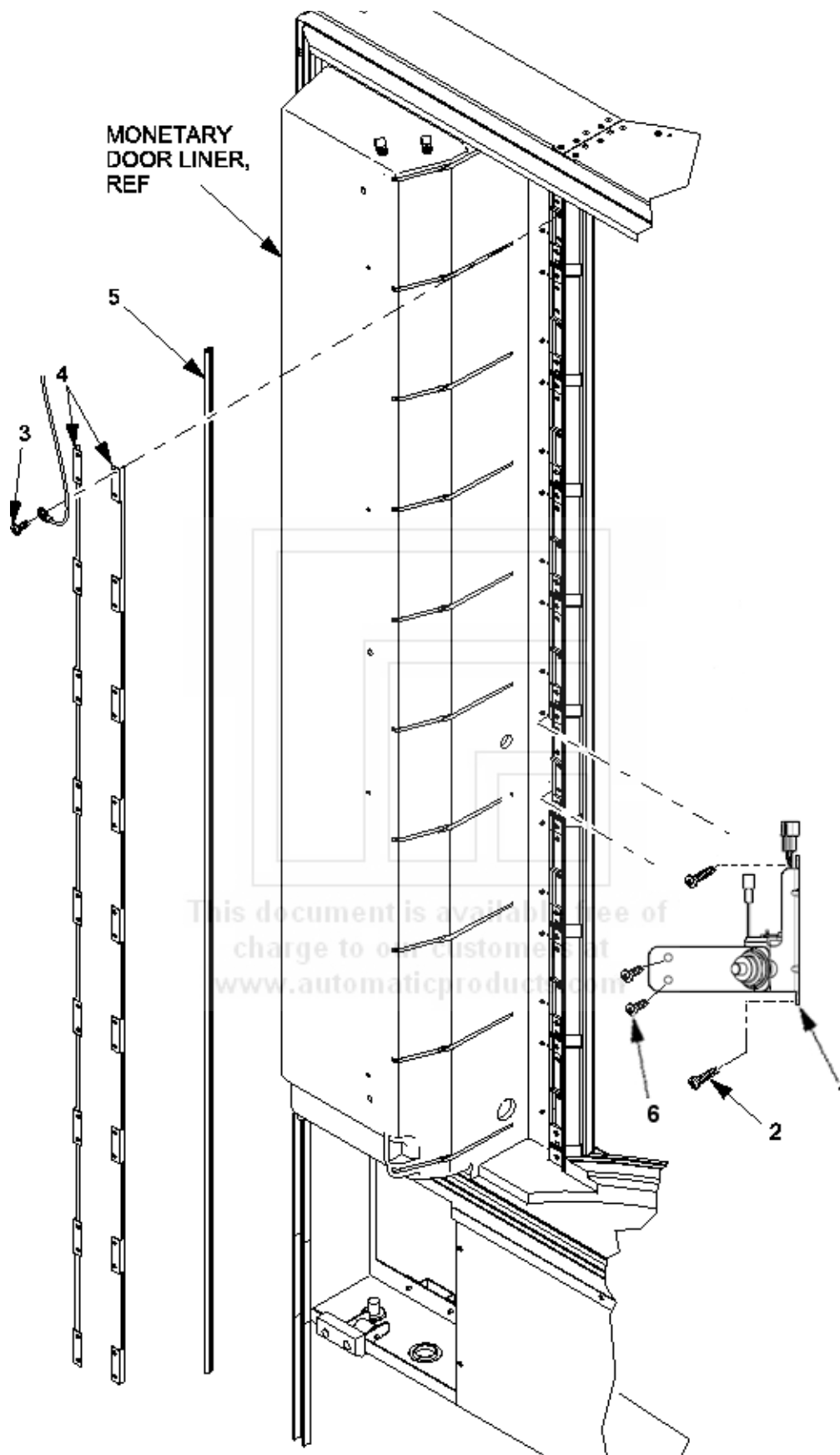


FIGURE 16: BUSS BAR AND VEND DOOR LOCK

TABLE 16: BUSS BAR AND VEND DOOR LOCK

INDEX	PART NUMBER	DESCRIPTION	QTY
1	4322309	ASM VEND DR SOLND DELTROL LK	9
2	1572242	SCREW - #8-18 X.75 PLASTITE	18
3	4552436	SCREW-#8-1/2 PHILLIPS-PH.-S.S.	22
4	4326009	BUSS BAR	2
5	4322090	SEAL - TUBE & DART	1
6	9900160	SCREW-#8-18 X 1/2"PHIL.PAN HD	18



This document is available free of
charge to our customers at
www.automaticproducts.com

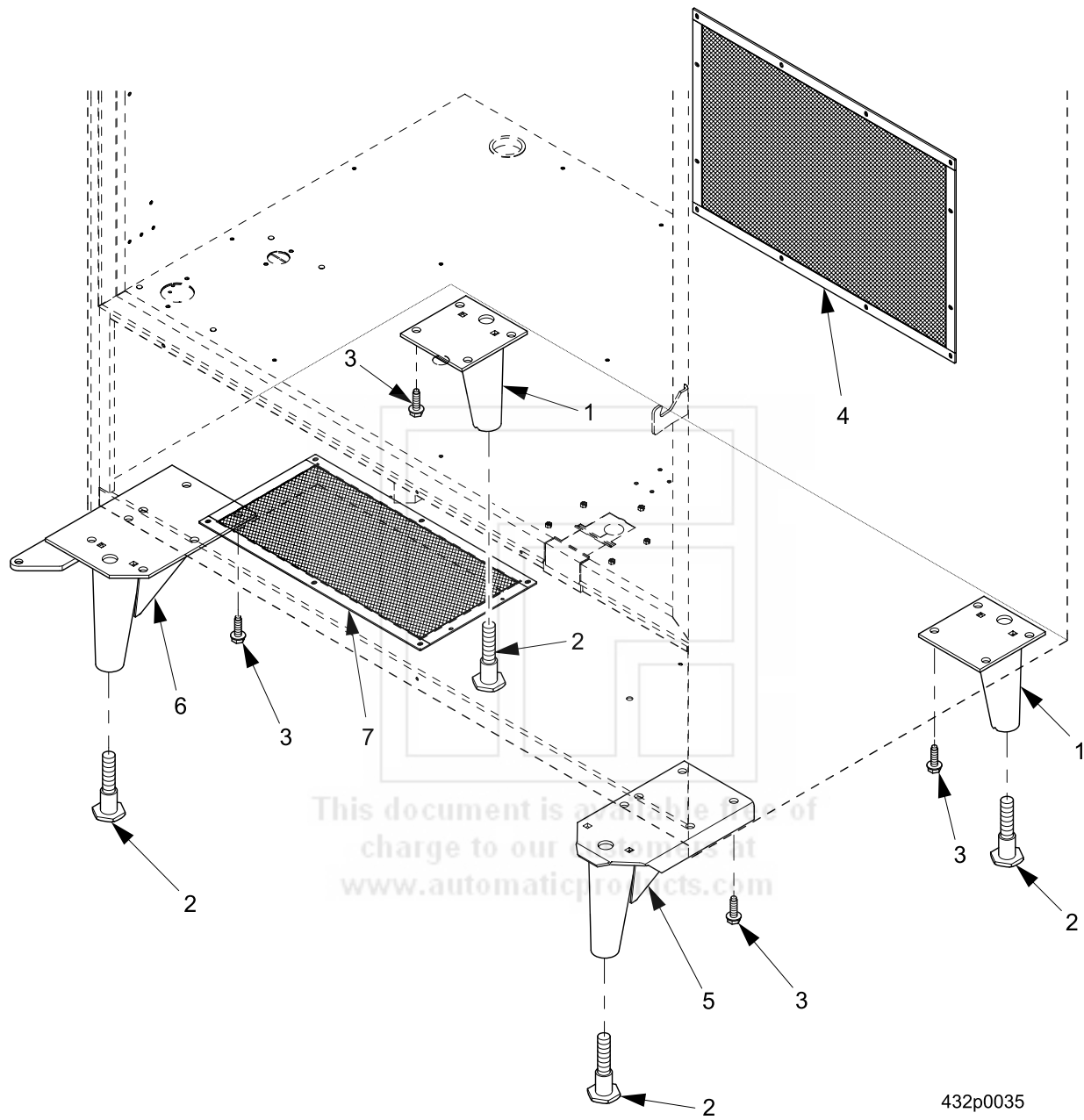


FIGURE 17: LEG ASSEMBLIES & AIR INLET/OUTLET SCREENS

TABLE 17: LEG ASSEMBLIES & AIR INLET/OUTLET SCREENS

INDEX	PART NUMBER	DESCRIPTION	QTY
--	1471237	LEG & LEVELER ASSEMBLY - CABINET (ITEMS 1-2)	--
1	4311068	LEG ASSEMBLY - CABINET - WELD	2
2	1471098	LEVELER - CABINET	4
3	9900218	SCREW - #5/16 X 1 W/LOCKING RING	16
--	4301039	LEG & LEVELER ASSEMBLY - RIGHT FRONT (ITEMS 2 AND 5)	--
4	4321156	SCREEN - OUTLET AIR	1
5	4301045	LEG ASSEMBLY - RIGHT FRONT	1
--	4321084	LEG, HINGE & LEVELER ASSEMBLY (ITEMS 2 AND 6)	--
6	4321085	PLATE ASSEMBLY - LEG & HINGE	1
7	4321150	SCREEN - INLET AIR	1



This document is available free of charge to our customers at www.automaticproducts.com

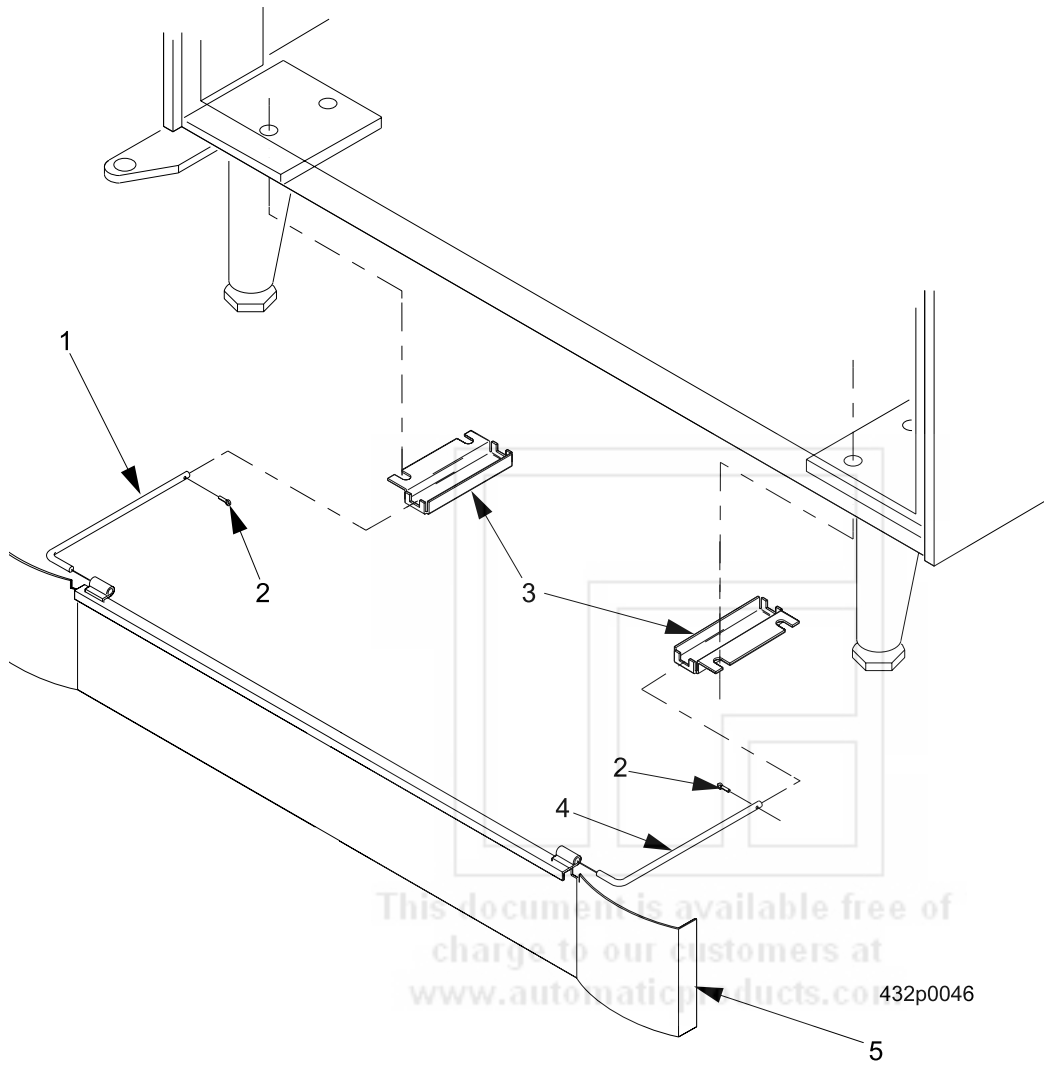


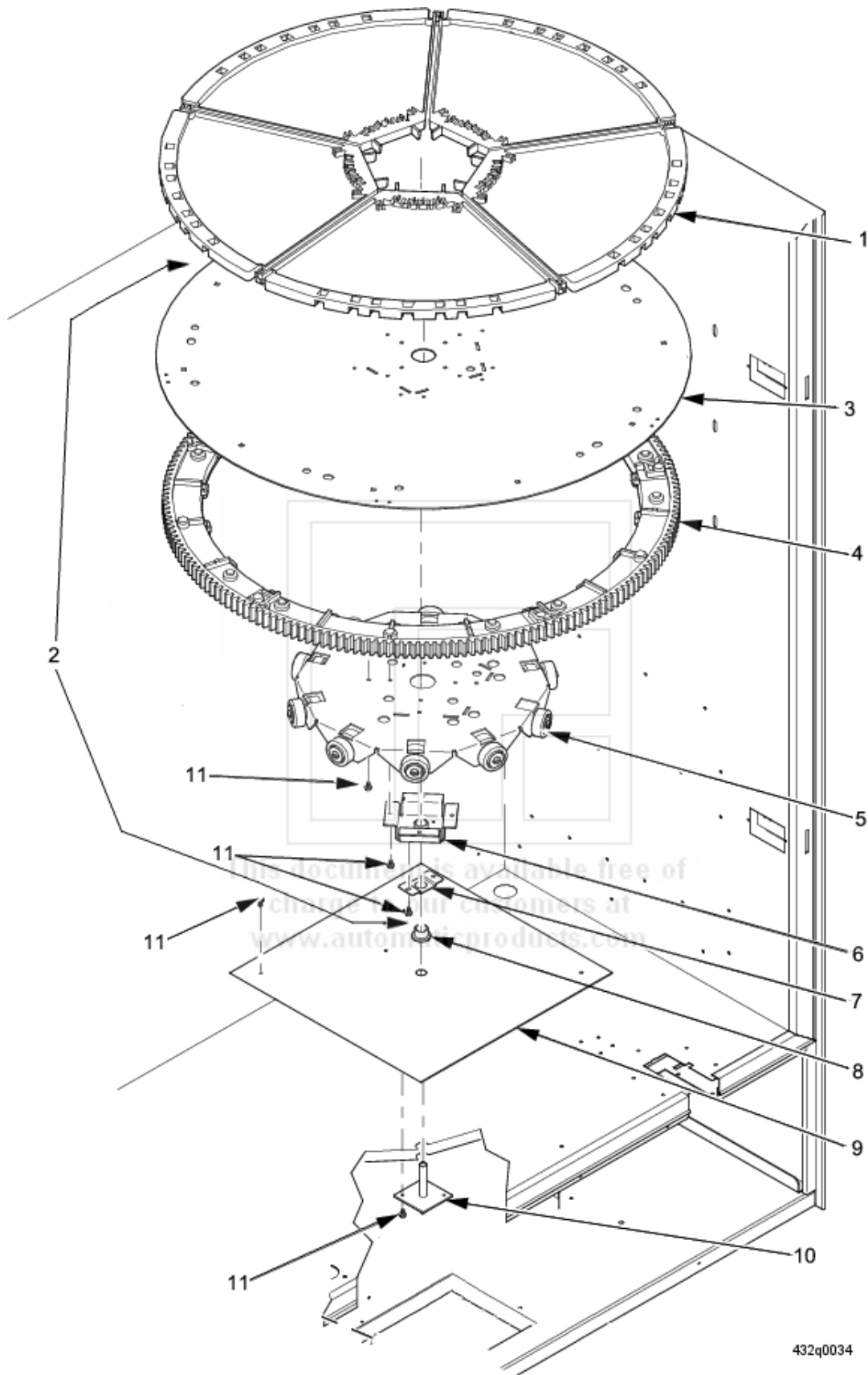
FIGURE 18: BASE PLATE ACCESSORY

TABLE 18: BASE PLATE ACCESSORY

INDEX	PART NUMBER	DESCRIPTION	QTY
--	4311190	BASE PLATE AND ACCESSORY ASSEMBLY - 38" - MILLENNIA	--
1	4551153	SLIDE - BASE PLATE - LEFT HAND	1
2	9900098	COTTER PIN 3/32 X 3/4 LONG	2
3	4311071	BRACKET - BASE PLATE	2
4	4551154	SLIDE - BASE PLATE - RIGHT HAND	1
5	1571161	BASE PLATE ASSEMBLY - 38" MILLENNIA	1



This document is available free of
charge to our customers at
www.automaticproducts.com



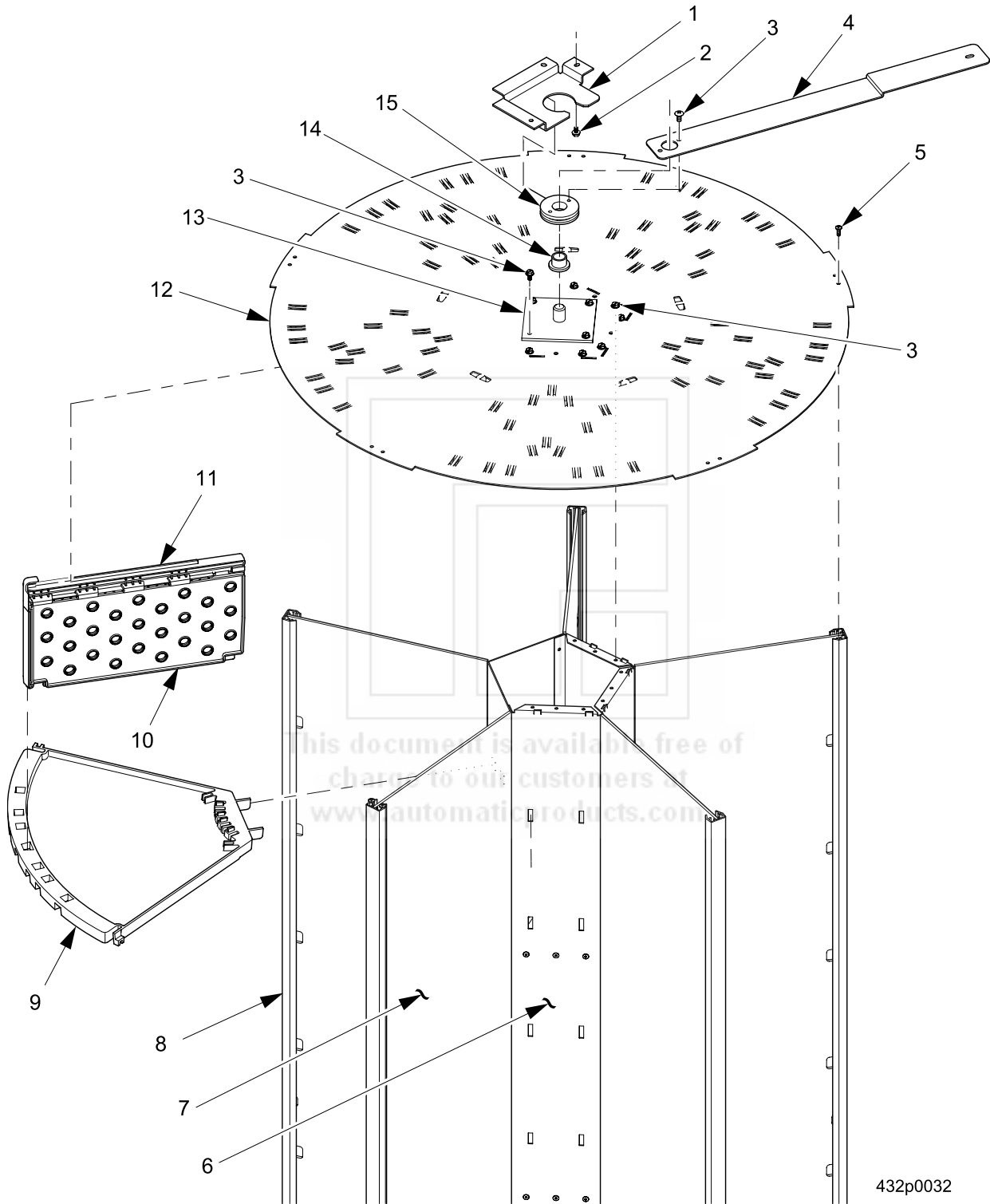
432q0034

FIGURE 19: TURRET

TABLE 19: TURRET

INDEX	PART NUMBER	DESCRIPTION	QTY
--	4327047	TURRET - STANDARD - BLACK	--
1	4327041	SHELF - PRODUCT	45
2	4327084	BASE ASSEMBLY - TURRET - BOTTOM INCLUDES ITEMS 3-7	
3		BASE ASSY-TURRET-BTM - ONLY NOT SOLD SEPARATELY ORDER P/N 4327084	1
4	4327001	GEAR SECTION - 5 SEGMENT	5
5	4327061	PLATE ASSEMBLY - ROLLER SUPPORT-ONLY	1
6	4327032	PLATE & BUSHING ASSEMBLY - SUPPORT	1
7	4327024	RETAINER - BUSHING	1
8	4311225	BEARING - FLANGED - OILITE FB810-4	1
9	4327010	PLATE - ROLLER BEARING	1
10	4327023	PLATE ASSEMBLY - SHAFT & MOUNTING	1
11	1451097	SCREW - #8-32 X .31 HEX HD.TF-BLK.	24

This document is available free of
charge to our customers at
www.automaticproducts.com



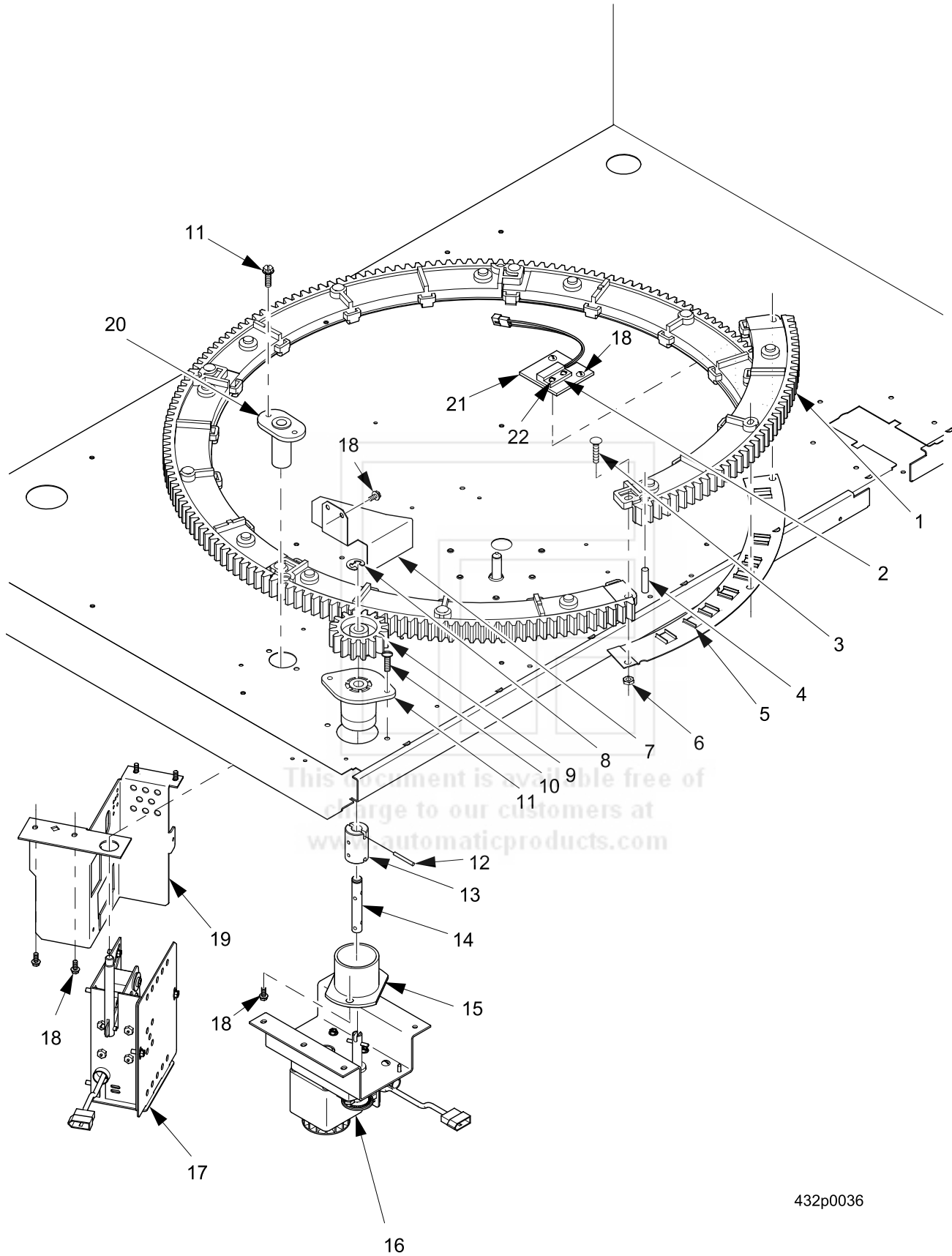
432p0032

FIGURE 20: TURRET - TOP PARTS

TABLE 20: TURRET - TOP PARTS

INDEX	PART NUMBER	DESCRIPTION	QTY
1	4327039	PLATE - TURRET LATCH - TOP	1
2	1451097	SCREW - #8-32X.31 HEX HD.TF-BL	6
3	1451097	SCREW - #8-32X.31 HEX HD.TF-BL	10
4	4327044	ARM - TURRET LATCH - TOP	1
5	9900092	SCREW - #6-32 X 3/8 PHIL.PH.	20
6	4327078	COLUMN ASSEMBLY - CENTER	1
7	4327031	WALL - SHELF (CLEAR)	5
8	4327007	RAIL - TURRET	5
9	4327041	SHELF - PRODUCT	45
10	4327042	DIVIDER - SHELF	90
11	4327043	RETAINER - SHELF	90
12	4327002	TOP PLATE - TURRET	1
13	4307032	PIN & PLATE ASSEMBLY	1
14	4311225	BEARING - FLANGED - OILITE FB810	1
15	4327040	LOCK NUT - TURRET LATCH - TOP	1

This document is available free of
charge to our customers at
www.automaticproducts.com



432p0036

FIGURE 21: TURRET - BOTTOM PARTS

TABLE 21: TURRET - BOTTOM PARTS

INDEX	PART NUMBER	DESCRIPTION	QTY
1	4327001	GEAR SECTION - 5 SEGMENT	5
2	4329022	SENSOR - PROXIMITY	1
3	4307024	CARRIAGE BOLT - #10-24 X 1.00	10
4	4301354	MAGNET - MAGNETIZED	1
5	4327014	PLATE - STOP PIN - 5 SEGMENT	5
6	4307029	NUT - #10-24 SELF-LOCKING	10
7	4321201	COVER - TURRET - MOTOR - GEAR	1
8	9900437	RETAINING RING REINF E TYP.375	1
9	4327034	GEAR - DRIVE - BLACK	1
--	4321106	BUSHING & DRIVE SHAFT ASSEMBLY (ITEMS 12 -14)	--
10	4312217	SCREW #8-32 X .50 PHILLIPS-PN HD	6
11	4321001	HOUSING - DRIVE SHAFT - UPPER	1
12	4301375	GROOVE - PIN - .125 DIA.X.875 LG.	4
13	4321209	COUPLING - DRIVE	1
14	4301395	SHAFT - DRIVE	1
15	4321002	HOUSING - DRIVE SHAFT - LOWER	1
16	4321230	MOTOR DRIVE ASSEMBLY -115V (SEE TABLE 22 FOR DETAILS)	1
	4321220	MOTOR DRIVE ASSY-230V (SEE TABLE 22 FOR DETAILS)	
17	4321195	STOP PIN ASSEMBLY-115V (SEE TABLE 23 FOR DETAILS)	1
	4321196	STOP PIN ASSY-FOREIGN	
18	1451097	SCREW-#8-32 X .31 HEX HD. TF-BLK	10
19	4327070	BRACKET-STOP PIN ASSY	1
20	4311237	BUSHING-STOP PIN	1
21	4327020	PLATE-SENSOR	1
22	1212140	SCREW-#4-40 X 1/4 RHS	2

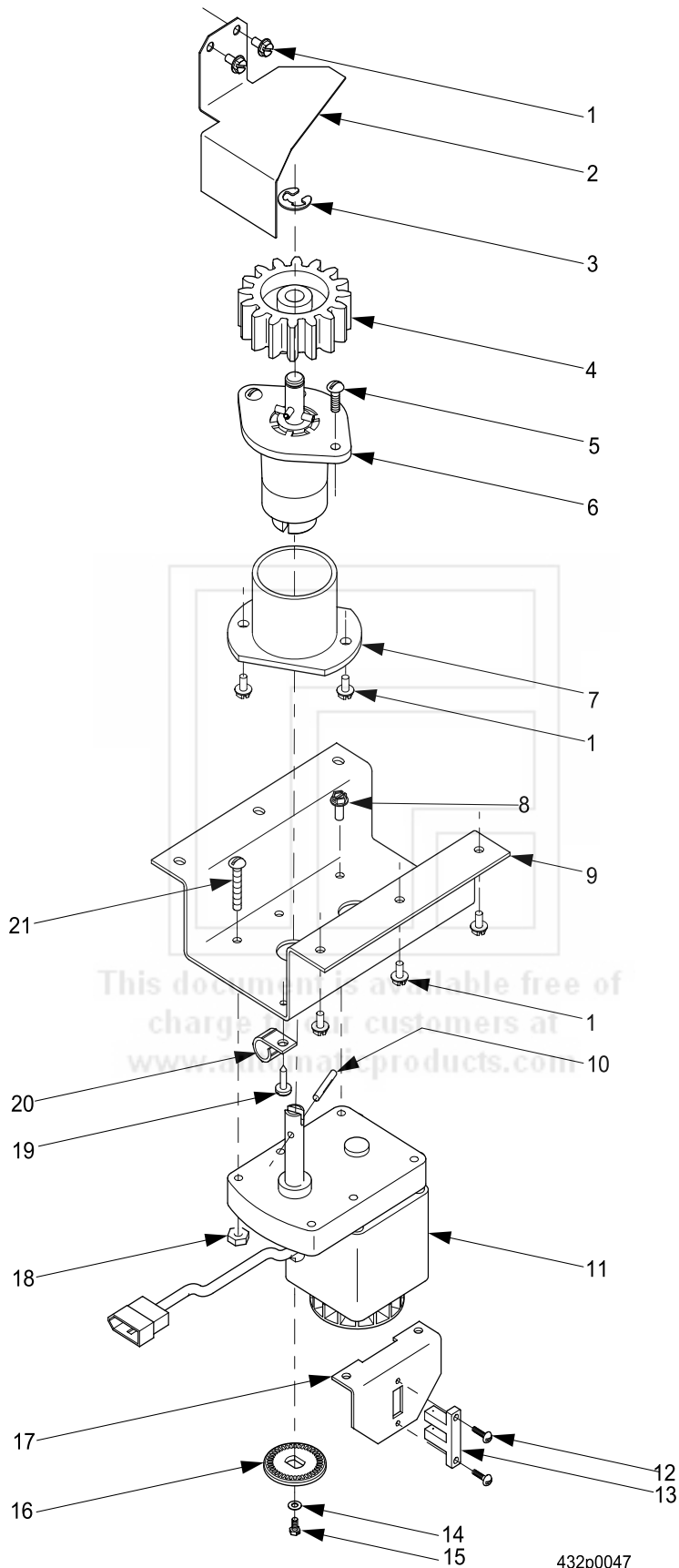


FIGURE 22: MOTOR DRIVE ASSEMBLY

432p0047

TABLE 22: MOTOR DRIVE ASSEMBLY

INDEX	PART NUMBER	DESCRIPTION	QTY
--	4321230	MOTOR DRIVE ASSEMBLY - (115V) (ITEMS 8-21)	--
	4321220	MOTOR DRIVE ASSEMBLY - (230V)(ITEMS 8-21)	
1	1451097	SCREW-#8-32X.31 HEX HD.TF-	10
2	4321201	COVER-TURRET-MOTOR-GEAR	1
3	9900437	RETAINING RING REINF E TYP	1
4	4327034	GEAR-DRIVE-BLACK	1
5	4741050	SCREW#8-32 X.50 PHILLIPS-P	2
6	4321106	BUSHING & DRIVE SHAFT ASSY	1
7	4321002	HOUSING-DRIVE SHAFT-LOWER	1
8	6234295	SCREW-#8-32X.38 HHS W/LW	4
9	4321207	BRACKET - MOTOR MOUNT	1
10	4301375	GROOVE - PIN - .125 DIA.X.875 LG	1
11	4321116	MOTOR - REVERSIBLE - (115V)	1
	4321192	MOTOR - REVERSIBLE - (230V)	
12	4271062	SCREW-#4-24 X .375 PH Z-P	2
13	4329028	ASSY- MOTION DETECTOR	1
14	2204093	WASHER - SCAVENGER BAR	1
15	9900205	SCREW #10-32 X 3/8 HEX HD	1
16	4321107	ENCODER - FOOD DRUM POSITION	1
17	4321257	BRACKET - ENCODER SENSOR MOUNTING	1
18	9900081	NUT #8-32 KEPS ZINC PLATE	2
19	9900160	SCREW-#8-18 X 1/2"PHIL.PAN	1
20	1452139	RETAINER-HARNESS	1
21	9900061	SCREW - #8-32X1.25 PHS	2

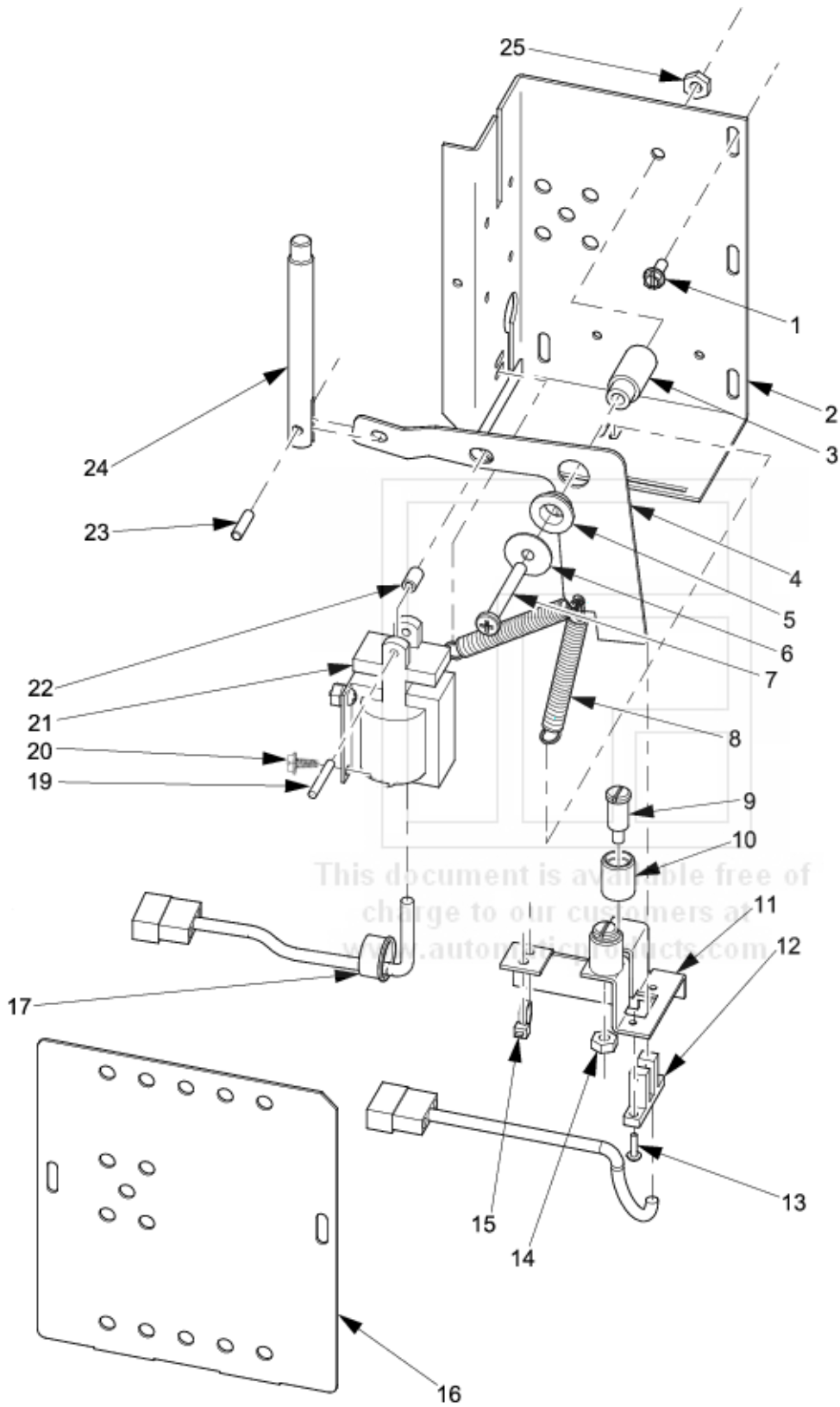
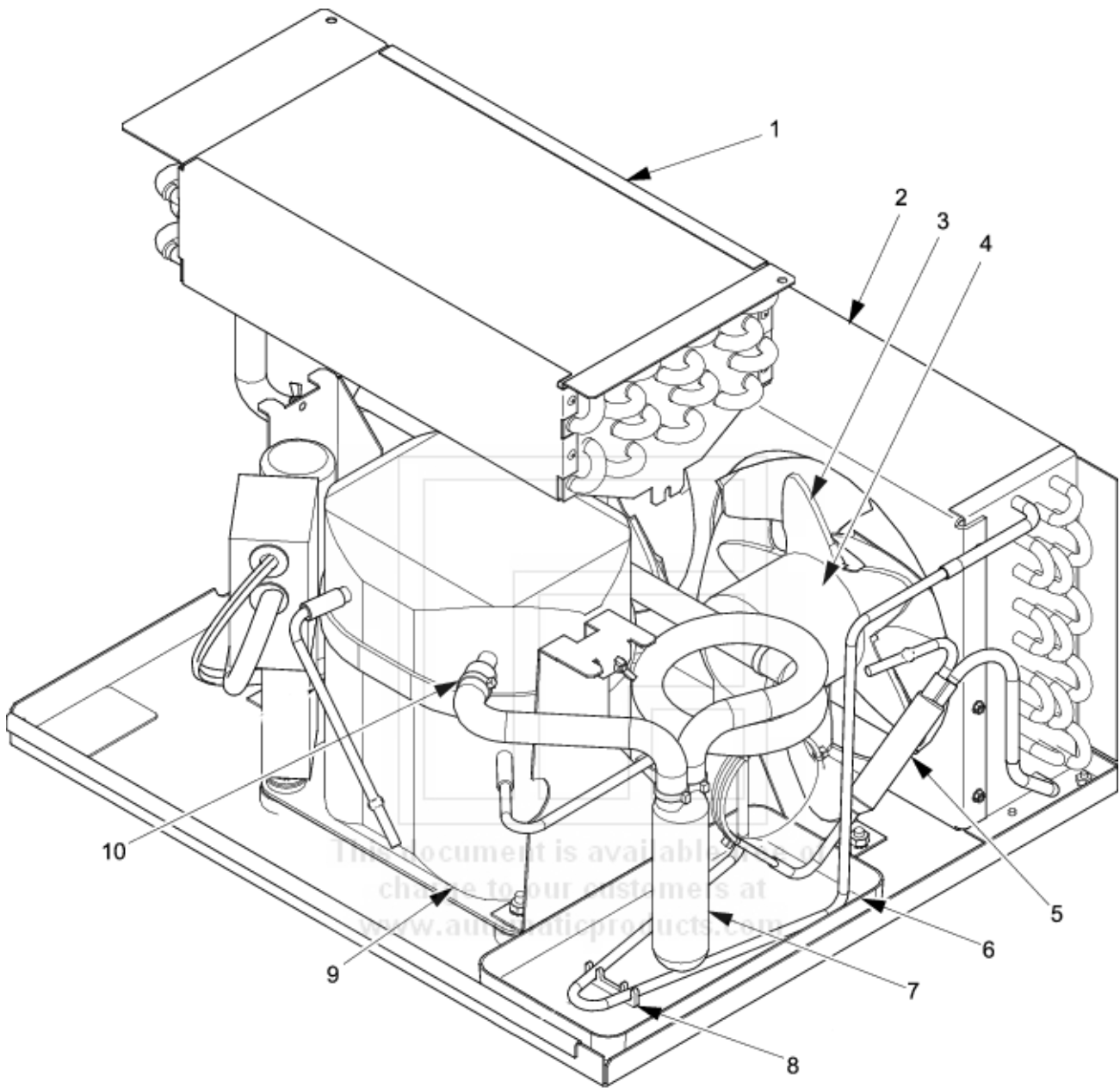


FIGURE 23: STOP PIN ASSEMBLY

TABLE 23: STOP PIN ASSEMBLY

INDEX	PART NUMBER	DESCRIPTION	QTY
--	4321195	STOP PIN ASSEMBLY - (115V)	--
	4321196	STOP PIN ASSEMBLY - (230V)	
1	3157060	SCREW#8-32 X .31HEX/HD.S	4
2	4327069	HOUSING-STOP PIN ASSY	1
3	4327064	BUSHING-ACTUATOR-STOP PIN	1
4	4327077	LEVER-ACTUATOR-STOP PIN	1
5	4327062	BUSHING-ACTUATOR-STOP PIN	1
6	6138181	WASHER PLATE	1
7	6104411	SCREW #10-32 X 1-1/2 PHILLIPS	1
8	4311076	SPRING-EXTENSION	2
9	1479062	STUD-DRIVE ARM	1
10	1479063	ROLLER-DRIVE ARM	1
11	4327068	BRACKET-SWITCH-OPTO	1
12	4329028	ASSY- MOTION DETECTOR	1
13	4271062	SCREW-#4-24 X .375 PH Z-P S.T.	2
14	9900081	NUT #8-32 KEPS ZINC PLATE	2
15	4042121	WIRE TIE-#PLT1M-M20	1
16	4327085	COVER-STOP PIN ASSY	1
17	9984095	BUSHING-OPEN/CLOSED-.625	1
19	4301375	GROOVE-PIN-.125 DIA. X .875 LG.	1
20	1141046	SCREW-#10-32X3/8 ACORN HEX W/H	4
21	4311252	SOLENOID ASSY 120 VOLTS	1
	4311253	SOLENOID ASSY 240 VOLTS	
22	4301364	BUSHING RETAINER	1
23	6104216	ROLL PIN	1
24	4327037	STOP PIN	1
25	9900164	NUT #10-32 KEPS ZINC PLATE	1



432q0002

FIGURE 24: REFRIGERATION UNIT ASSEMBLY

TABLE 24: REFRIGERATION UNIT ASSEMBLY

INDEX	PART NUMBER	DESCRIPTION	QTY
--	4324000	REFRIGERATION UNIT ASSEMBLY - 60HZ - (115V)	1
	4324001	REFRIGERATION UNIT ASSEMBLY - 50HZ - (230V)	
1	4324022	EVAPORATOR ONLY - NO PANELS	1
2	4324014	CONDENSER - 9 X 17.5 3R7 FPI	1
3	7214014	BLADE - CONDENSER FAN	2
4	4304092	MOTOR - CONDENSER FAN - (115V)	2
	4774122	MOTOR - CONDENSER FAN - (230V)	
5	4364034	FILTER/DRIER - REFRIGERANT	1
6	4324030	PAN - CONDENSATE	1
7	4244009	ACCUMULATOR P-H 22-056380-01	1
8	4304076	SPACER - COMP. DISCH.TUBE	1
9	4274000	COMPRESSOR - (115V) - AKA4460YXA 60H	1
	4314055	COMPRESSOR - (230V) - R134A	
10	2204513	WIRE TIE - #PLT 1.5IM KB	12

This document is available free of charge to our customers at www.automaticproducts.com

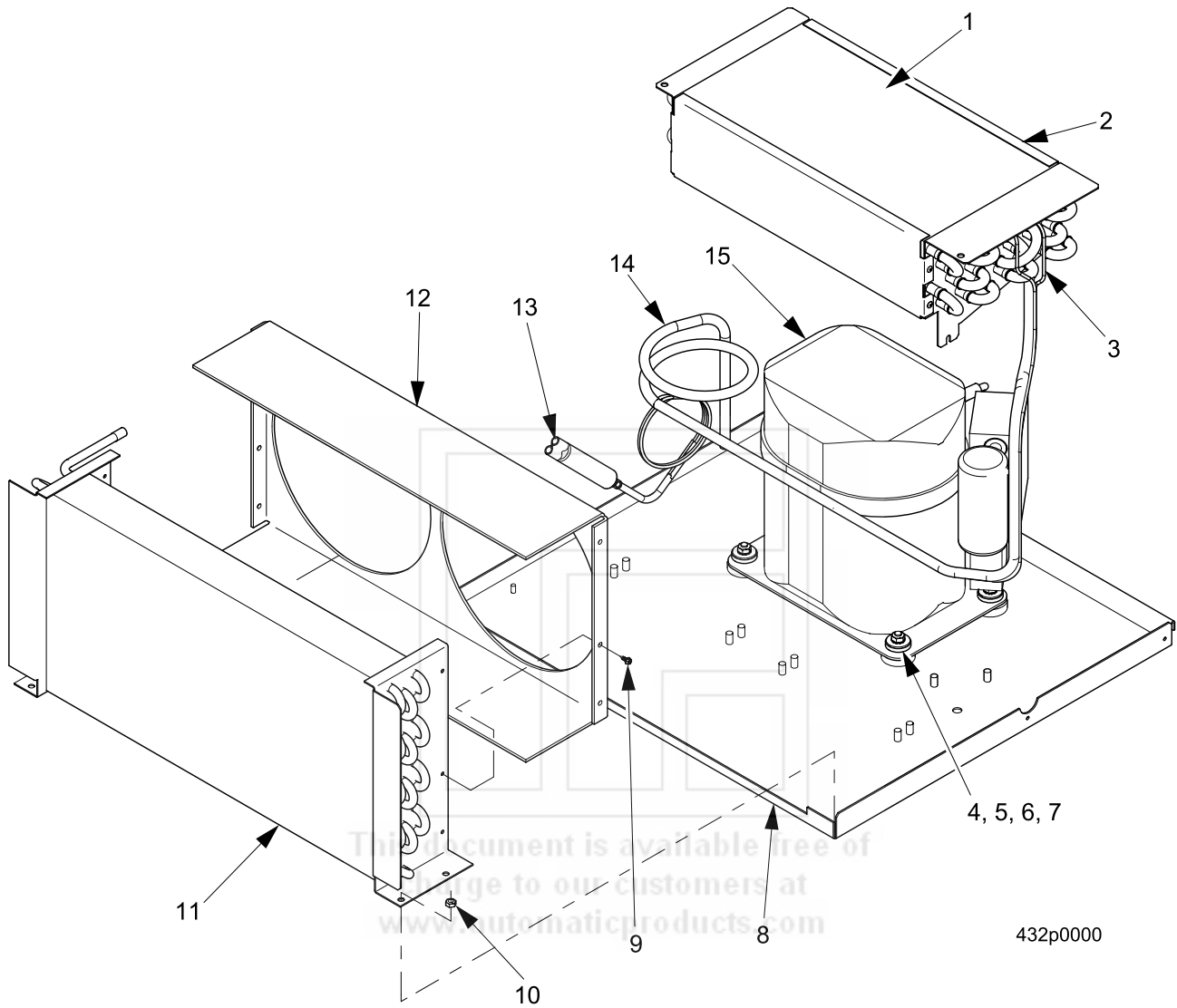
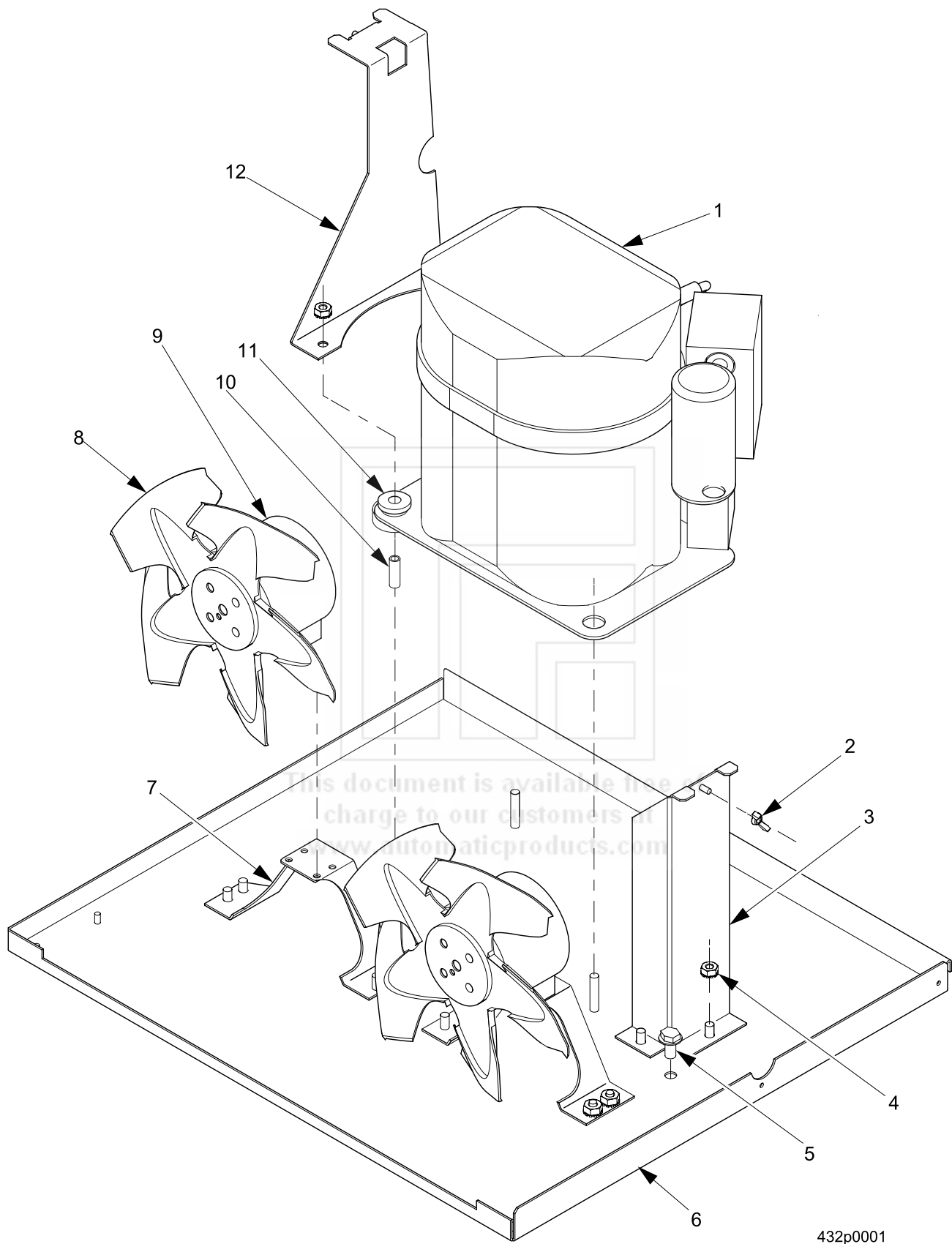


FIGURE 25: REFRIGERATION UNIT COMPONENTS

TABLE 25: REFRIGERATION UNIT COMPONENTS

INDEX	PART NUMBER	DESCRIPTION	QTY
1	4324003	EVAPORATOR ASSEMBLY - PLUS - PANELS (INCLUDES ITEMS 2 & 3)	1
2	4324023	PANEL - EVAPORATOR	2
3	4324022	EVAPORATOR COIL - 4 ROW	1
4	1211105	1/4-20 KEPS NUT EXT LW ZP	14
5	4304236	WASHER - .88 O.D.X.38 I.D.X.063	2
6	CR0007105	GROMMET, SLEEVE, STEEL	4
7	4324012	GROMMET - 11/16 HEIGHT	4
8	4324004	BASE/STUD ASSEMBLY - REFRIGERATION UNIT	1
9	80030438	SCREW - #8-18 X .38 - LGM	6
10	9900081	NUT #8-32 KEPS ZINC PLATE	4
11	4324014	CONDENSER - 9 X 17.5 3R7 FPI	1
12	4324016	SHROUD - CONDENSER - CARDBOARD	1
13	4364034	FILTER/DRIER - REFRIGERANT	1
14	4324029	HEAT EXCHANGER ASSEMBLY	1
15	4274000	COMPRESSOR - AKA4460YXA 60H - (115V)	1
	4314055	COMPRESSOR - R134A - (230V)	

This document is available free of
charge to our customers at
www.automaticproducts.com



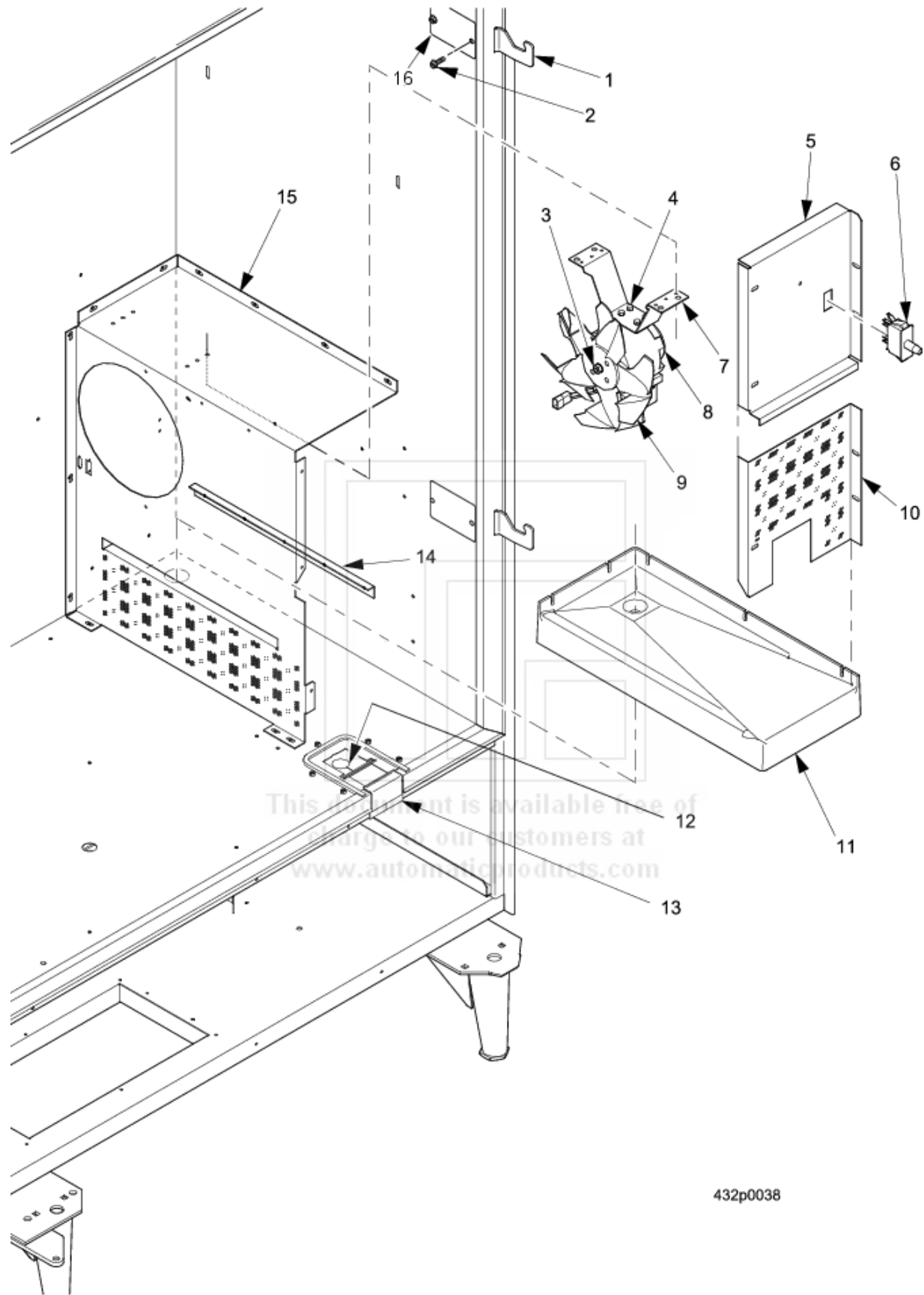
432p0001

FIGURE 26: REFRIGERATION UNIT - BASE AND CONDENSER FAN

TABLE 26: REFRIGERATION UNIT - BASE AND CONDENSER FAN

INDEX	PART NUMBER	DESCRIPTION	QTY
--	4324000	REFRIGERATION UNIT ASSEMBLY - COMPRESSOR - (115V)	1
	4324001	REFRIGERATION UNIT ASSEMBLY - 50HZ - (230V)	
1	4274000	COMPRESSOR-AKA4460YXA 115V 60H	1
	4314055	COMPRESSOR-220V-R134A	
2	80080151	NUT - WING - #8-32 W/NYLON INSERT	2
--	4324048	BAG COMPRESSOR PARTS	1
3	4324009	ASSEMBLY - FRONT - SHIP - BRACKET - STUD	1
4	1211105	1/4-20 KEPS NUT EXT LW ZP	14
5	6401052	SCREW-#5/16-18 X .63 HEX HD.	1
6	4324004	BASE/STUD ASSEMBLY - REFRIGERATION UNIT	1
7	4324044	BRACKET - MOTOR MOUNT	2
8	7214014	BLADE - CONDENSER FAN	2
9	4304092	MOTOR - CONDENSER FAN - (115V)	2
	4774122	MOTOR - CONDENSER FAN - (230V)	
10	CR0007105	GROMMET, SLEEVE, STEEL	4
11	4324012	GROMMET - 11/16 HEIGHT	4
12	4324010	ASSEMBLY - BACK - SHIP - BRACKET - STUD	1

This document is available free of
charge to our customers at
www.automaticproducts.com



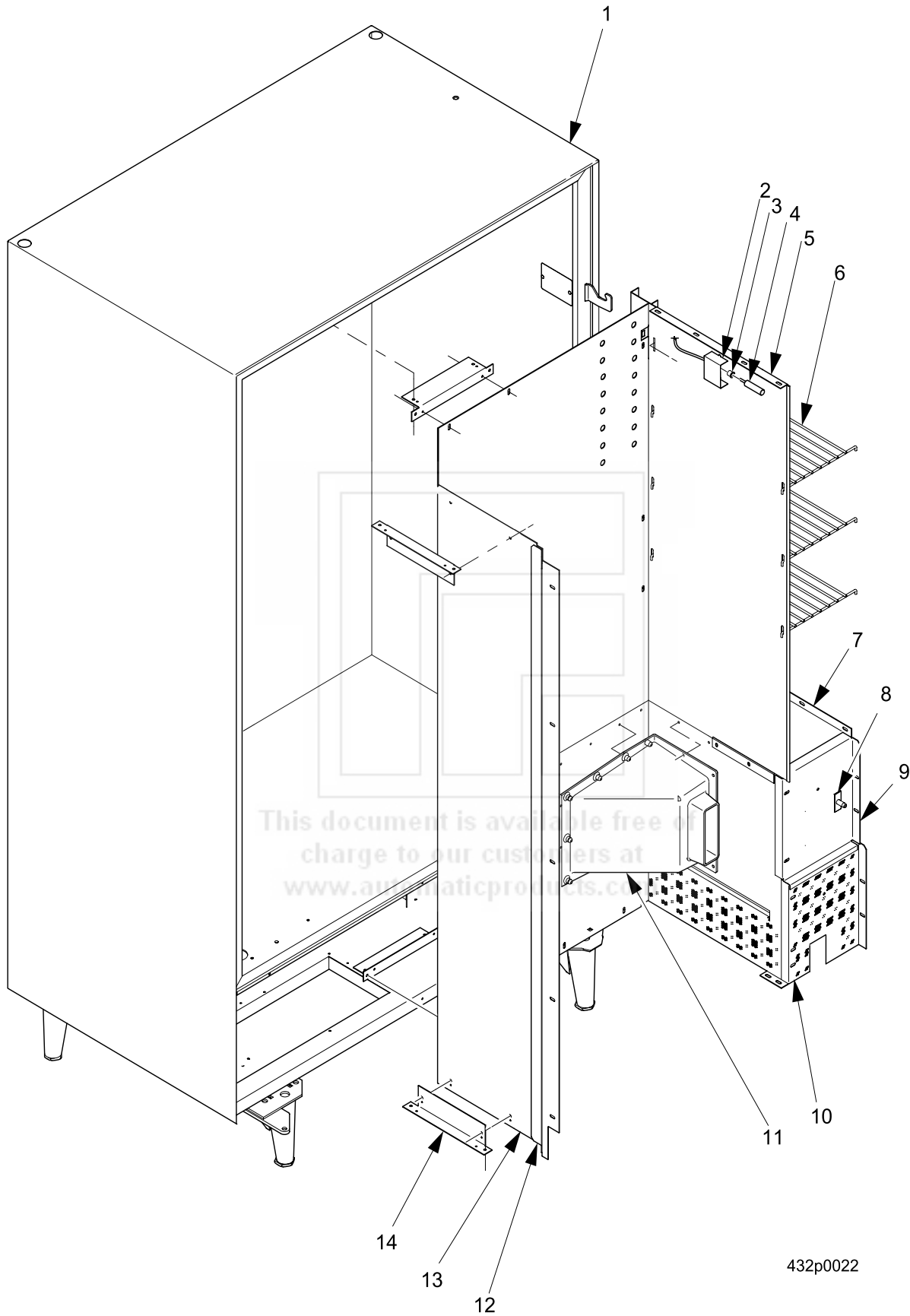
This document is available free of charge to our customers at www.automotiveproducts.com

432p0038

FIGURE 27: EVAPORATOR MOTOR ASSEMBLY

TABLE 27: EVAPORATOR MOTOR ASSEMBLY

INDEX	PART NUMBER	DESCRIPTION	QTY
--	4321172	EVAPORATOR MOTOR ASSEMBLY - (115V) (ITEMS 1,2, 5-7)	--
	4321173	EVAPORATOR MOTOR ASSEMBLY - (230V) (ITEMS 1,2, 5-7)	
1	4321061	ARM-LOCK-CABINET	2
2	1141043	10-32 X 1/2 ACORN HWHO-WIBS	4
3	1211105	1/4-20 KEPS NUT EXT LW ZP	1
4	4721035	SCREW - #8-18 X .38-LGM	4
5	4321016	PANEL - FAN - ACCESS	1
6	1236050	SWITCH-INTERLOCK	1
7	7214082	BRACKET - CONDENSER FAN	1
8	4324038	MOTOR - 60HZ - EXT. - CAPAC - (115V)	1
	4324039	MOTOR - 50HZ - EXT. - CAPAC - (230V)	
9	4324041	BLADE - EVAPORATOR FAN	1
10	4321166	PANEL - PERFORATED	1
11	4321023	PAN - ABS - EVAPORATOR DRAIN	1
12	4321044	INSULATION-PASSTHRU-CABINET	1
13	4321089	RETAINER-CABINET-NOTCH	1
14	4321104	BRACKET - ANGLE - EVAPORATOR	1
15	4321012	PANEL - EVAPORATOR MOUNT	1
16	4321080	COVER-CABINET-LOCK BAR	1
--	4329068	POWER CORD - 14AWG - DOMESTIC - (115V) (NOT SHOWN)	1
	9989576	POWER CORD - W/BSI PLUG - (230V) (NOT SHOWN)	
	9989560	POWER CORD-FOR.-AUSTR./NEW Z.	
	9989577	POWER CORD-EURO PLUG	



432p0022

FIGURE 28: REFRIGERATION AIR DUCTS

TABLE 28: REFRIGERATION AIR DUCTS

INDEX	PART NUMBER	DESCRIPTION	QTY
1	4321004	CAB.ASSY-INSUL.-BLK.INTERIOR	1
	4321013	CAB.ASSY-IN.SEL WHI BLK INTER	
2	4321175	COVER - TEMPERATURE SENSOR	1
3	9985887	BUSHING-STRAIN RELIEF	1
4	9987852	PROBE-TEMP. SENSOR	1
5	4321238	STORAGE WALL	1
6	4301254	SHELF - STORAGE	3
7	4321012	PANEL - EVAPORATOR MOUNT	1
8	1236050	SWITCH - INTERLOCK	1
9	4321016	PANEL - FAN - ACCESS	1
10	4321166	PANEL - PERFORATED	1
11	4321124	DUCT - AIR - CORNER	1
12	4321171	PANEL ASSEMBLY - DISCHARGE - AIR	1
13	4321239	PANEL - AIR SUPPLY	1
14	4321256	BRACKET - ANGLE	6

This document is available free of charge to our customers at www.automaticproducts.com

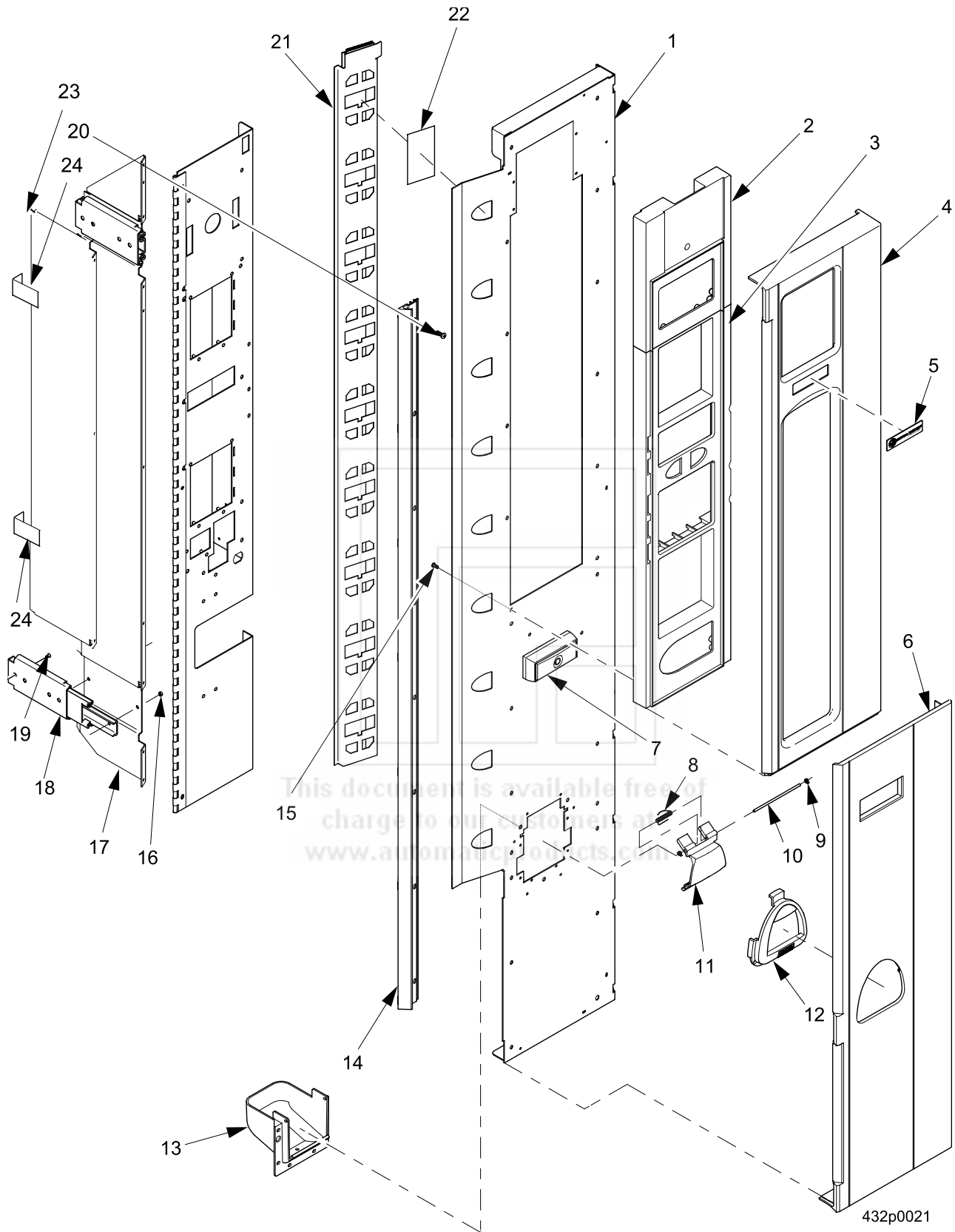
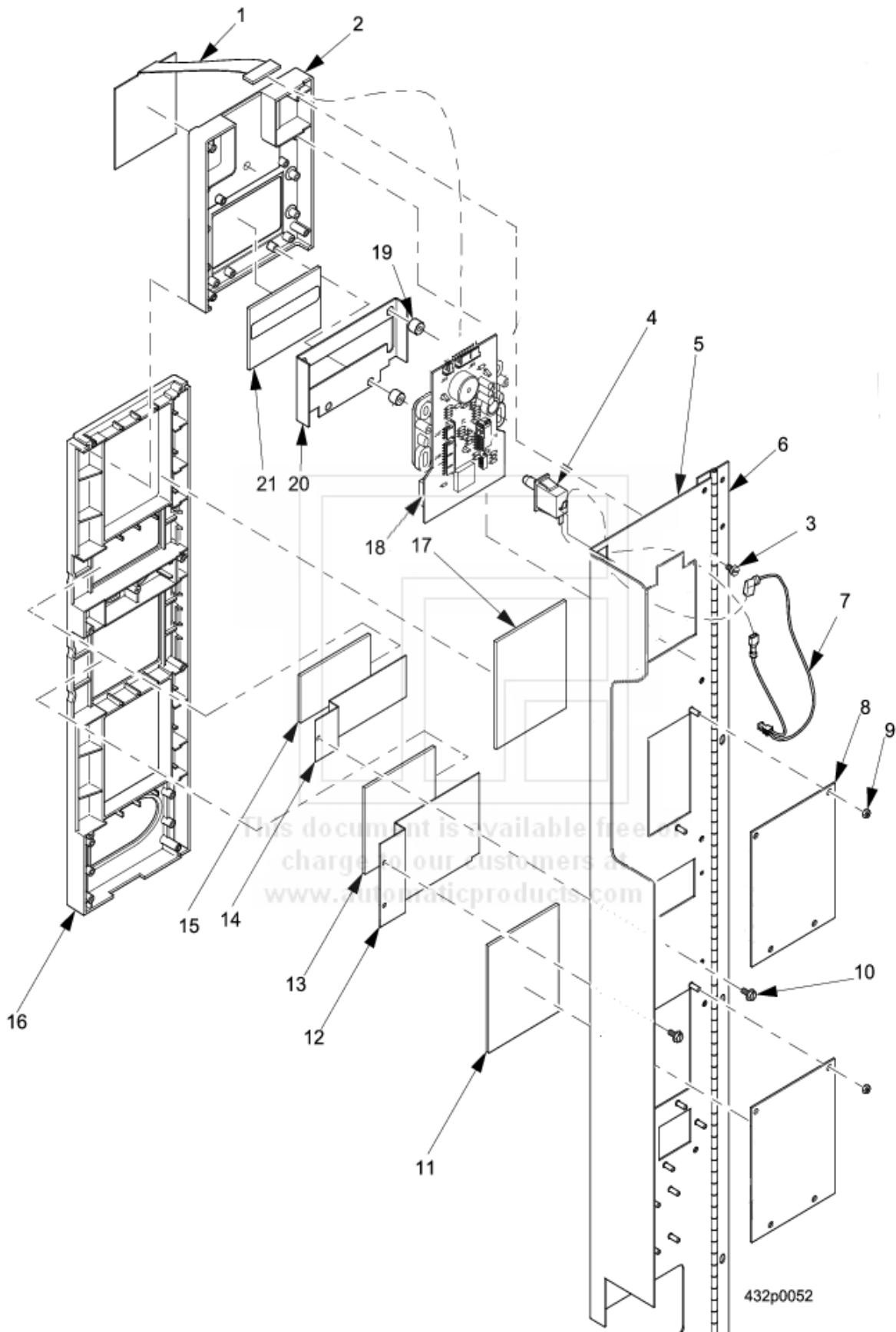


FIGURE 29: MONETARY PANEL

TABLE 29: MONETARY PANEL

INDEX	PART NUMBER	DESCRIPTION	QTY
1	4325170	WELD ASSEMBLY - ACCESS PANEL - BLACK	1
	4325200	W/A-ACCESS PANEL-PLATINUM	
2	4325083	SELECTION PANEL - TOP - MONETARY	1
3	4325052	SELECTION PANEL - BOTTOM - MONETARY	1
4	4325037	PANEL - TRIM - TOP ACCESS	1
5	4322101	PLATE - NV LOGO - 432	1
	CR0005484	DECAL-LOGO- AP 962	
6	4325038	PANEL - TRIM - BOTTOM - ACCESS	1
7	4322113	LOCK ASSEMBLY - "T" - BLACK DOOR	1
	1815118	LOCK ASSY-"T"-DULL CHROME -PLATINUM DOOR	
8	4245083	SPRING - COIN RETURN DOOR	1
9	2366055	CLIP-SPEED	2
10	4325067	SHAFT - COIN RETURN GATE	1
11	4325066	GATE - COIN RETURN	1
12	4325064	BEZEL - COIN RETURN CUP	1
13	4325065	CUP - COIN RETURN	1
14	4325088	TRIM - SIDE - ACCESS PANEL - BLACK	1
15	4747171	SCREW-#6-19 X .38 PHIL.PHS-T/C	12
16	9900081	NUT #8-32 KEPS ZINC PLATE	4
17	4325192	PANEL - SIDE - MONETARY	1
18	4325194	SLIDE ASSY-MONETARY	2
19	4555155	SCREW #10-32 X .375 PHS. FHS.	4
20	4741050	SCREW-#8-32 X .50 HX.HD.-T/F-B	8
21	4325193	PRICE DISPLAY ASSEMBLY	1
22	4325070	INSERT-LENS-DISPLAY	9
23	4325181	COVER-MONETARY-HARNESS	1
24	4325161	BRACKET-MONETARY-COVER LOWER	2



432p0052

FIGURE 30: INTERIOR MONETARY PANEL

TABLE 30: INTERIOR MONETARY PANEL

INDEX	PART NUMBER	DESCRIPTION	QTY
1	6335002	SERVICE KEYPAD ASSEMBLY	1
2	4325083	SELECTION PANEL-TOP	1
3	1437204	SCREW 8-10 X .38 HEX HD TF	12
4	6111041	SWITCH SERVICE LIGHT 1DM2	1
5	CR0008140	WELD ASSY-MONETARY PANEL	--
6	4325004	HINGE-MONETARY PANEL (REF. ONLY)	1
7	1579009	JUMPER-MONETARY DOOR SWITCH	1
8	4325163	PLATE-BACKING-INSERT	1
9	9900081	NUT #8-32 X .50 KEPS ZINC	8
10	1451097	SCREW-#8-32X.31 HEX HD.TF-BLK.	3
11	1575076	INSERT-INSTR-LOWER-BLANK (IF EQUIPPED)	1
12	4325091	PLATE-BACKING-LOWER-REMOVABLE	1
13	4325138	INSERT INSTR.-LOWER (DOMESTIC)	1
14	4325077	PLATE-BACKING-UPPER-REMOVABLE	1
15	4325072	INSERT INSTR.-UPPER (DOMESTIC)	1
16	4325052	SELECTION PANEL-BOTTOM	1
17	1575076	INSERT-INSTR-LOWER-BLANK (IF EQUIPPED)	1
18	9989823	PCB ASSEMBLY-DISPLAY	1
19	4325107	SPACER DISPLAY	4
20	4325084	RETAINER-DISPLAY LENS-NORITAKE	1
21	4325034	INSERT-DISPLAY	1

This document is available free of
charge to our customers at
www.automaticproducts.com

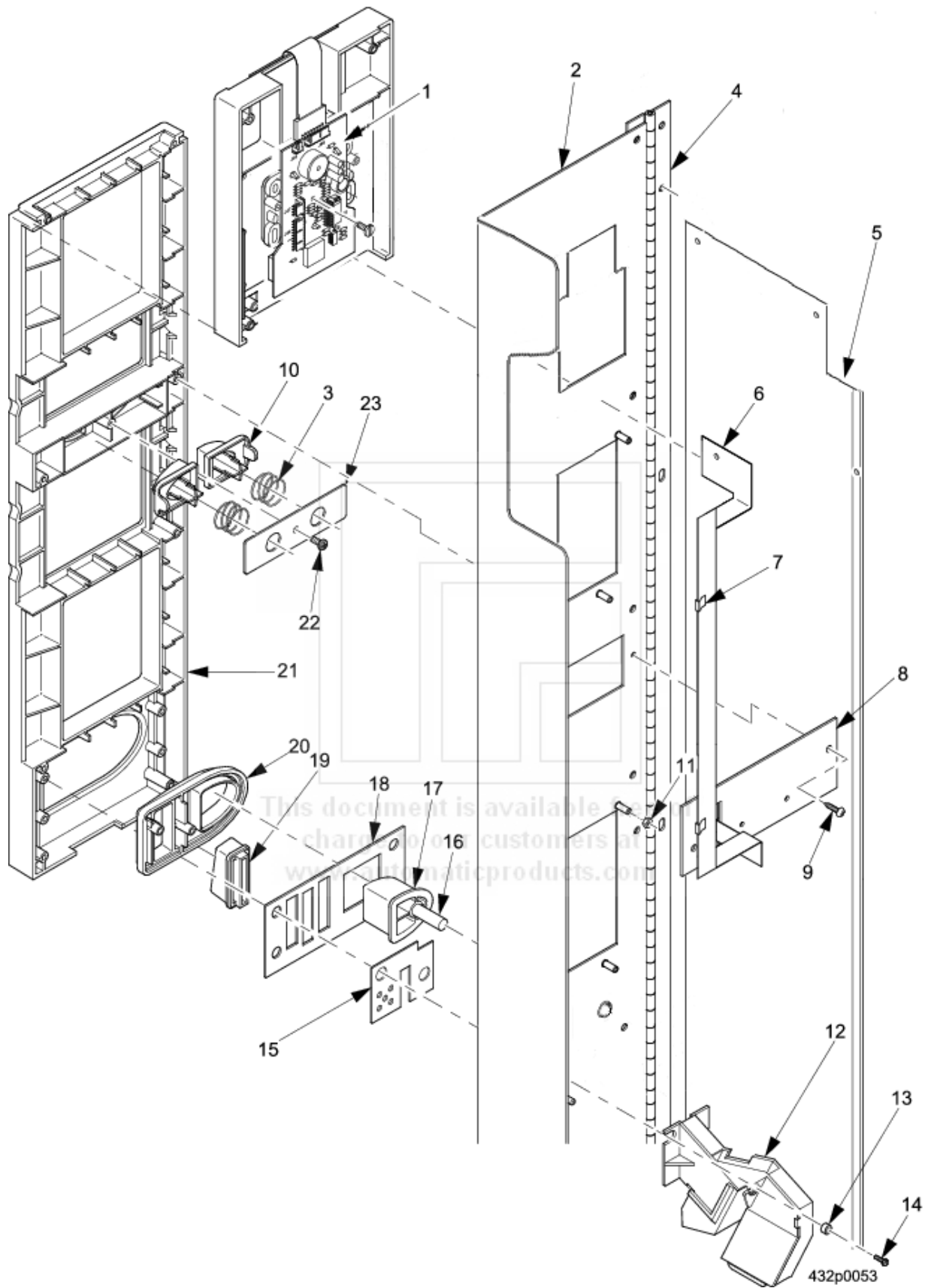
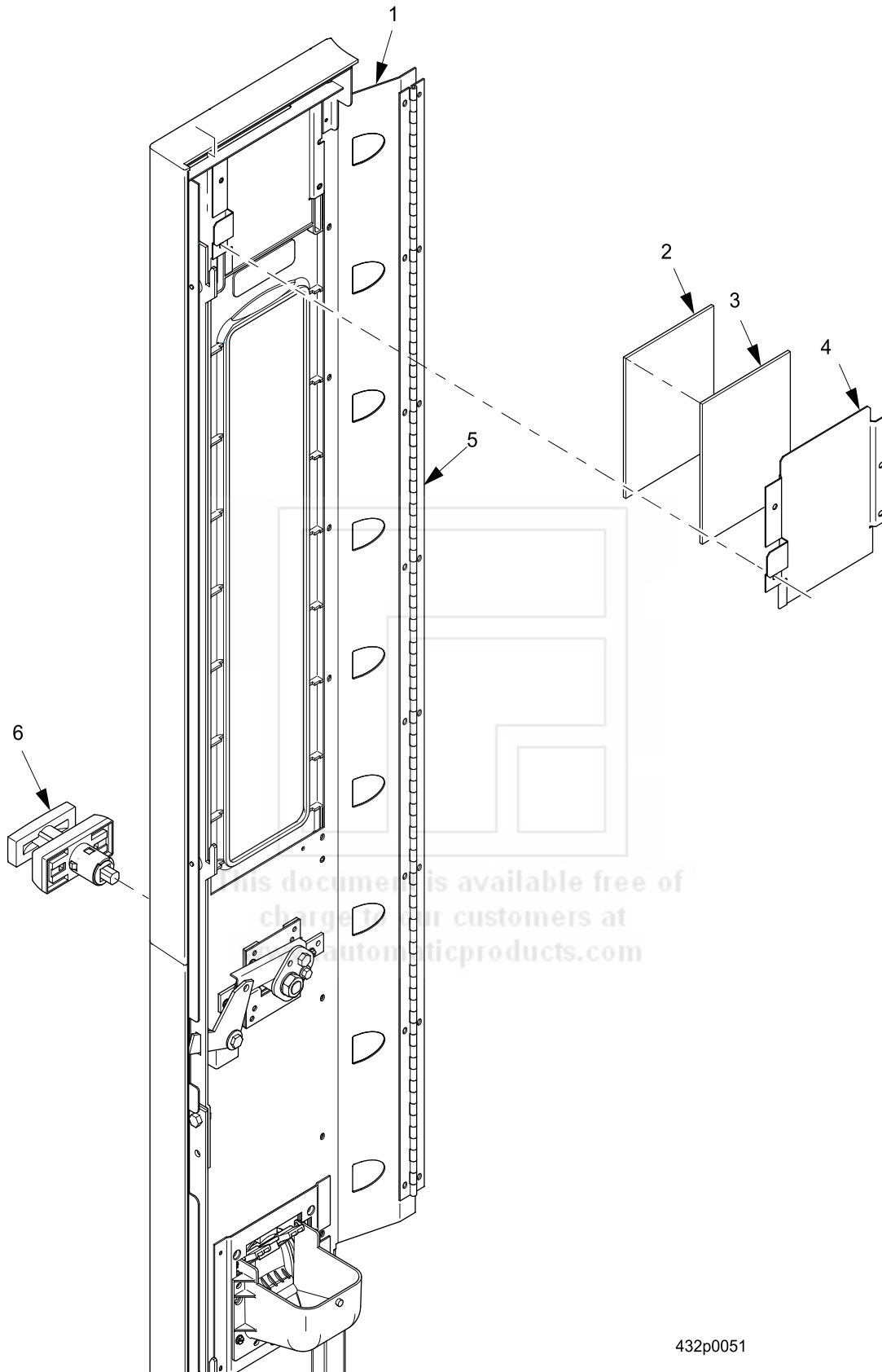


FIGURE 31: UPPER MONETARY - EXTERIOR

TABLE 31: UPPER MONETARY - EXTERIOR

INDEX	PART NUMBER	DESCRIPTION	QTY
1	9989823	PCB ASSEMBLY-DISPLAY	1
2	CR0008140	WELD ASSY-MONETARY PANEL	1
3	1572224	SPRING-PUSH BUTTON	2
4	4325004	HINGE-MONETARY PANEL (REF ONLY)	1
5	4325192	PANEL-SIDE, MONETARY	1
6	4325142	SWITCH-MEMBRANE,TURRET DIRECT.	1
7	4302166	CABLE CLIP	2
8	4325071	PLATE-BACKING-MEMBRANE-SWITCH	1
9	9900160	SCREW-#8-18 X 1/2"PHIL.PAN HD.	2
10	4325033	BUTTON-TURRET	2
11	9900081	NUT #8-32 KEPS ZINC PLATE	2
12	1575003	COIN CHUTE ASSEMBLY	1
13	AP420144	FERRULE	2
14	3128092	SCREW-HILO-7-19 X 3/8 HEX WASH	2
15	1671041	COIN BLOCK-50 CENTS	1
16	4325173	SHAFT-RETURN BUTTON	1
17	4325061	BUTTON-COIN RETURN	1
18	4325082	PANEL-BACKUP-MONETARY	1
19	4325062	INSERT-COIN	1
20	4325063	BEZEL-COIN INSERT	1
21	4325052	SEL.PANEL-BOTTOM-MONETARY	1
22	4321168	SCREW-#6-19 X .31 PHIL.PHS.T/C	1
23	4325089	RETAINER-DIRECTION-BUTTONS	1

Free of charge to our customers at
www.automaticproducts.com



432p0051

FIGURE 32: EXTERIOR MONETARY PANEL

TABLE 32: EXTERIOR MONETARY PANEL

INDEX	PART NUMBER	DESCRIPTION	QTY
1	4325170	WELD ASSEMBLY - ACCESS PANEL - BLACK	1
	4325200	W/A-ACCESS PANEL-PLATINUM	
2	4325124	LENS-UPPER POP	1
3	4325155	POP-UPPER-GRAPHS	1
4	4325168	PLATE - BACKUP - UPPER TOP	1
5	4325027	HINGE-MONETARY PANEL (REF ONLY)	1
6	4322113	LOCK ASSY-"T" - BLACK DOOR	1
	1815118	LOCK ASSY-"T"-DULL CHROME - PLATINUM DOOR	



This document is available free of charge to our customers at www.automaticproducts.com

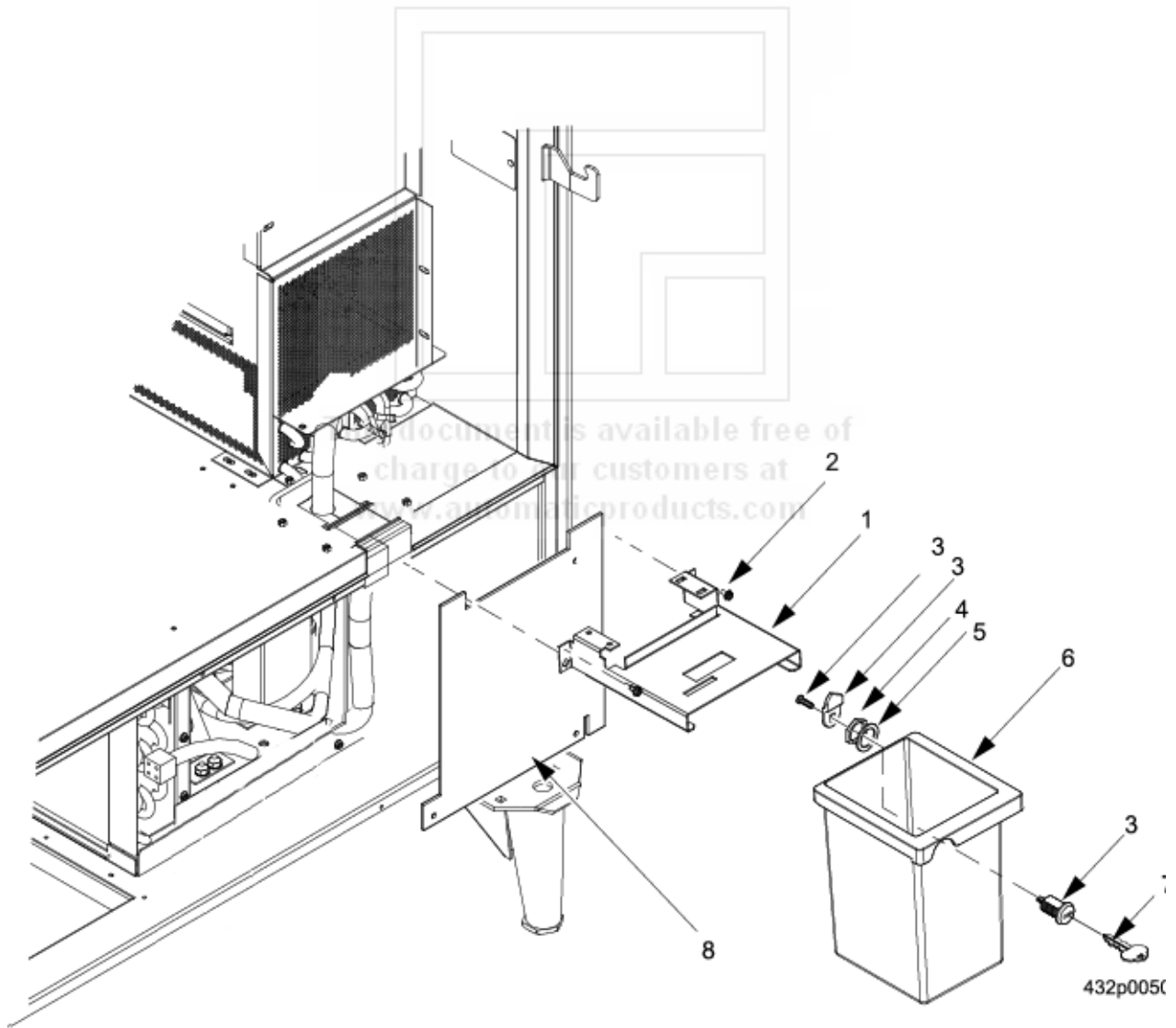


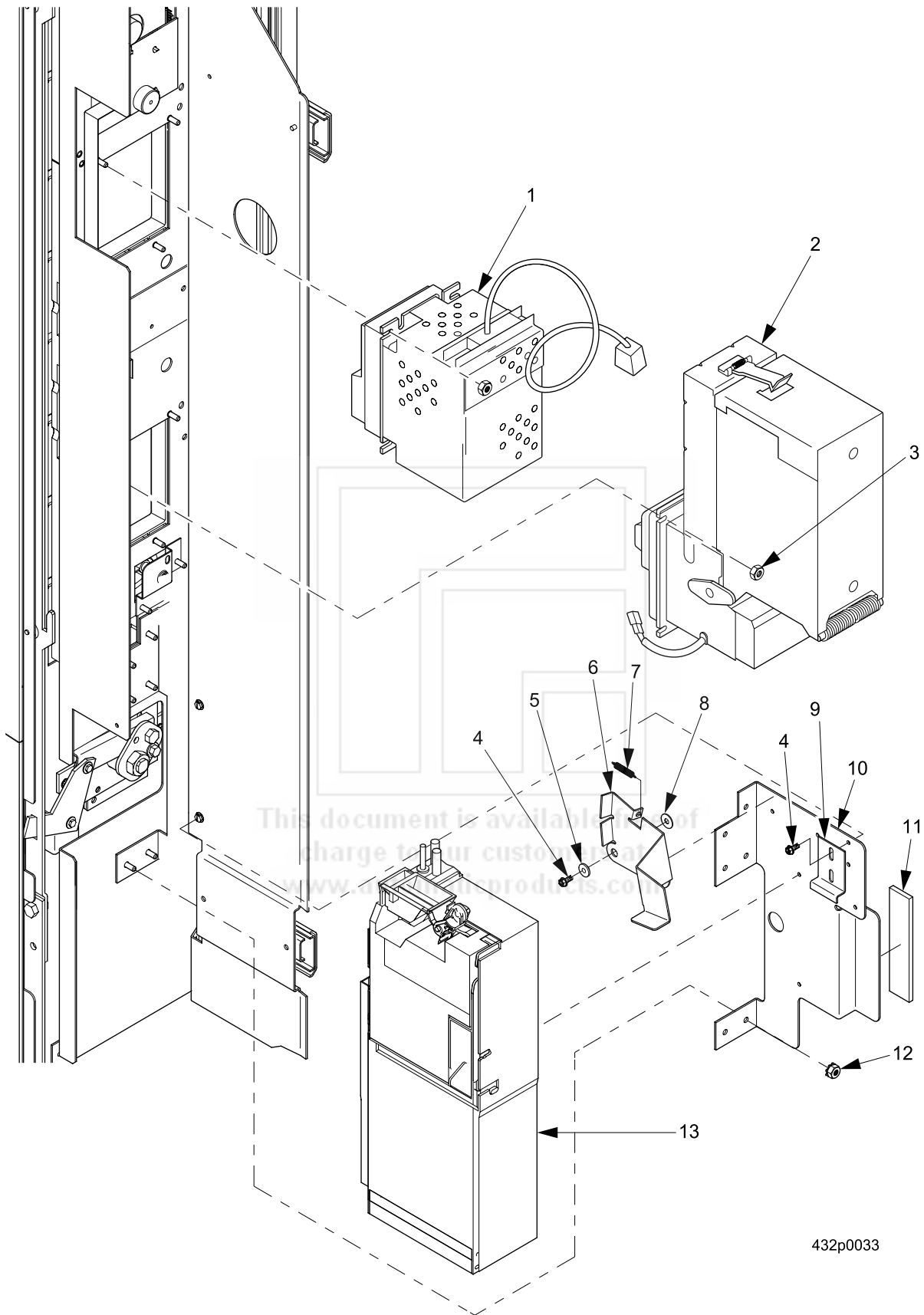
FIGURE 33: COIN BOX ASSY

TABLE 33: COIN BOX ASSEMBLY

INDEX	PART NUMBER	DESCRIPTION	QTY
1	4321229	MOUNT-COIN BOX	1
2	1451097	SCREW-#8-32X.31 HEX HD.TF-	5
--	1470761	MONEY BOX LOCK (ITEMS 4-6)	--
3	1101906	MONEY BOX LOCK- #1801, KA NV 407	1
4	2222603	NUT-LOCK RETAINING	1
5	2222604	WASHER-LOCK BARREL #2693	1
6	4321228	COIN BOX	1
7	2221920	KEY-CHICAGO LK-#1801 NV407, KB	1
8	4324043	PLASTIC CARDBOARD AIR BLOCK	1



This document is available free of
charge to our customers at
www.automaticproducts.com



432p0033

FIGURE 34: MONETARY OPTIONS & INTERIOR MONETARY PANEL

TABLE 34: MONETARY OPTIONS & INTERIOR MONETARY PANEL

INDEX	PART NUMBER	DESCRIPTION	QTY
1	--	CARD READER	OPT
2	5900430	CASHCODE SMV-4117	OPT
3	9900081	NUT #8-32 KEPS ZINC PLATE	8
4	9900106	SCREW #8-32 X 3/8 ACORN HEX HD	6
5	2228011	SPACER-RELEASE ARM	1
6	1571113	ARM-SCAVENGER	1
7	1127808	SPRING-SHELF RESET	1
8	2204093	WASHER-SCAVENGER BAR	1
9	6231037	CLAMP-CABLE	1
10	4325005	BRACKET-COIN MECH.	1
11	3122056	MAGNET-RETAINR-COIN CHANGER KB	1
12	9900081	NUT #8-32 KEPS ZINC PLATE	14
13	1810611	C2 CHANGER-USD1-NNDQQ	1
	1810614	C2 CHANGER-USD3-NDQQ\$\$	
	1810613	C2 CHANGER-USD8-NDQ\$\$\$	
	1810615	C2 CHANGER-USD11-NDQQQ\$	
	5900556	C2 CHANGER-USD13-NNDDQ\$	
	1810612	C2 CHANGER-USD6-NNDDQQ	

This document is available free of
charge to our customers at
www.automaticproducts.com

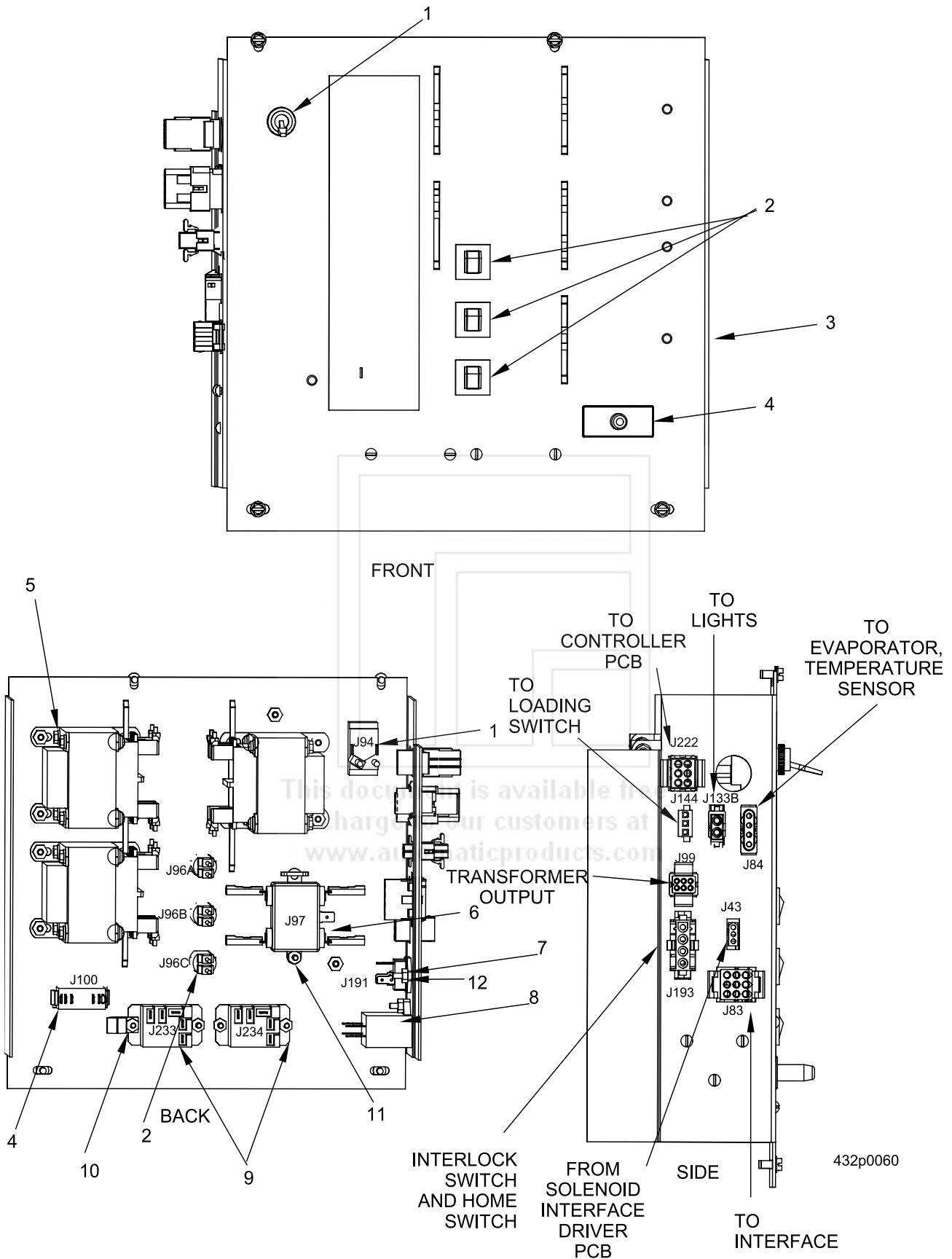
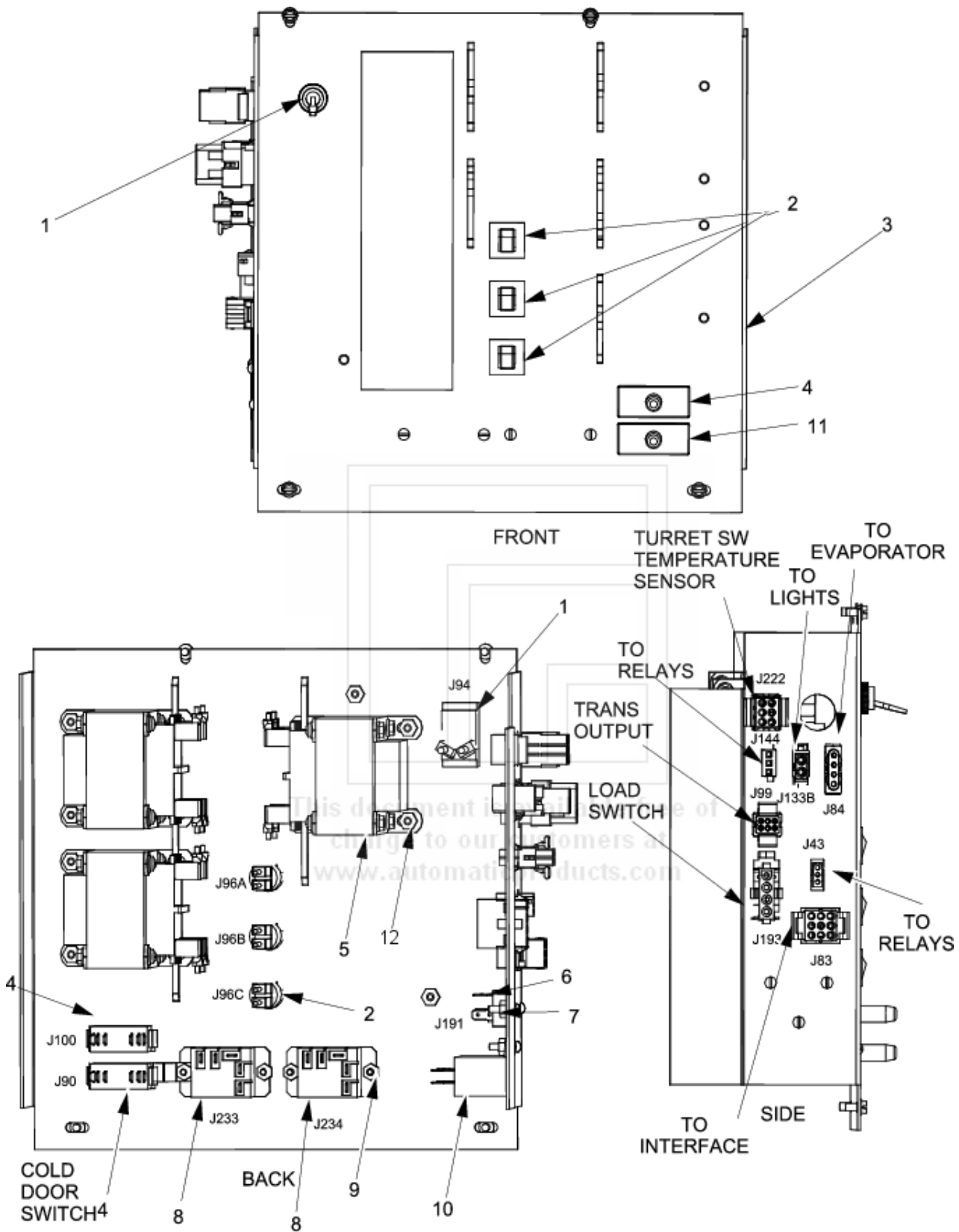


FIGURE 35: POWER PANEL ASSEMBLY - DOMESTIC (115V)

TABLE 35: POWER PANEL ASSEMBLY - DOMESTIC (115V)

INDEX	PART NUMBER	DESCRIPTION	QTY
--	4321250	POWER PANEL ASSEMBLY - DOMESTIC	--
1	9984629	SWITCH - TOGGLE - DPST - 20AMP	1
2	9989674	CIRCUIT BREAKER - 4 AMP	3
3	4321251	PANEL - POWER - FRONT - DOMESTIC	1
4	1211141	SWITCH	1
5	9989046	24V XFMR-DUAL PIR.-.187 TERM.	3
6	9989100	INTERFERENCE FILTER	1
7	9983778	TRIAC - 35A - 600V	1
8	9988210	CAPACITOR-MOTOR RUN-10UF	1
9	9989677	RELAY - SPDT 24VDC - PANEL MOUNT	2
10	9900078	NUT #6-32 KEPS ZINC PLATE	6
11	9900081	NUT #8-32 KEPS ZINC PLATE	2
12	1211109	6-32X9/16 PHS MACH SCR ZP	6
NS	4329062	HARNESS-POWER PNL-FRT DC	

This document is available free of charge to our customers at www.automaticproducts.com



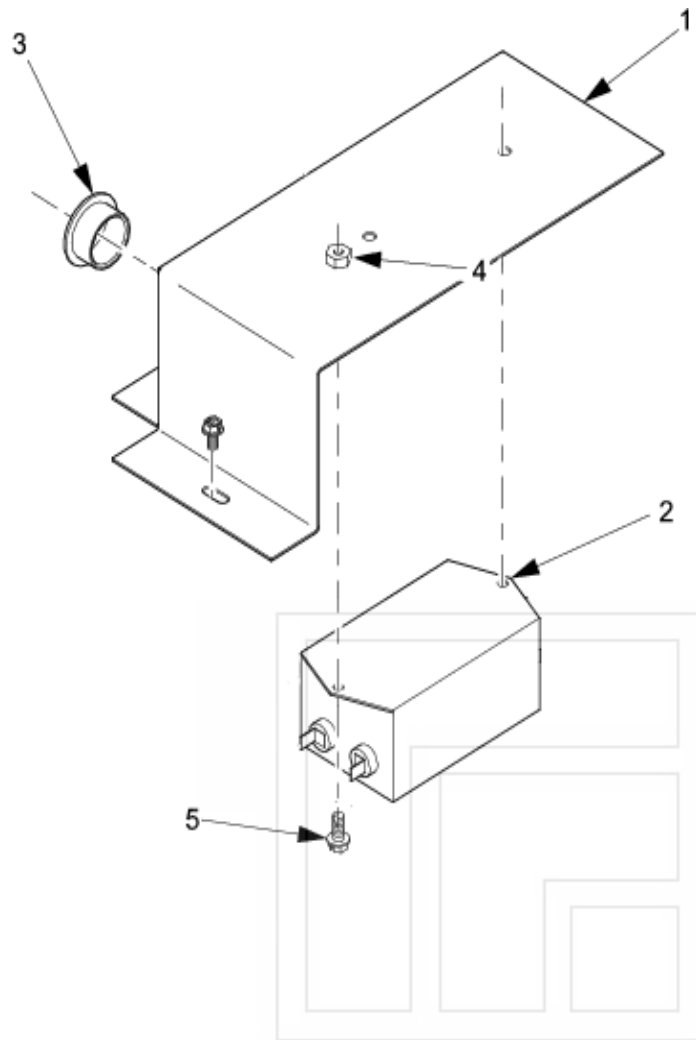
432p0039

FIGURE 36: POWER PANEL ASSEMBLY - INTERNATIONAL (230V)

TABLE 36: POWER PANEL ASSEMBLY - INTERNATIONAL (230V)

INDEX	PART NUMBER	DESCRIPTION	QTY
--	4321252	POWER PANEL ASSEMBLY - FRONT - INTERNATIONAL (230V)	--
1	9984629	SWITCH - TOGGLE - DPST - 20AMP	1
2	9989674	CIRCUIT BREAKER - 4 AMP	3
3	4321253	POWER PANEL FRONT INTERNATIONAL(230V)	1
4	2366135	SWITCH - INTERLOCK	1
5	9989046	24V XFMR - DUAL PIR. - .187 TERM	3
6	9983778	TRIAC - 35A - 600V	1
7	1211109	6-32X9/16 PHS MACH SCR ZP	6
8	9989677	RELAY - SPDT 24VDC - PANEL MOUNT	2
9	9900078	NUT #6-32 KEPS ZINC PLATE	6
10	9988211	CAPACITOR-MOTOR RUN-2.5UF	1
11	1211141	SWITCH	1
12	9900081	NUT #8-32 KEPS ZINC PLATE	8
NS	4329046	HARNESS-POWER PNL-FRT AC 230V	1
NS	4329062	HARNESS-POWER PNL-FRT DC	1

This document is available free of charge to our customers at www.automaticproducts.com



This document is available free of charge to our customers at www.automaticproducts.com

432p0040
FIGURE 37: POWER PANEL ASSEMBLY - REAR - INTERNATIONAL - (230V)

TABLE 37: POWER PANEL ASSEMBLY - REAR - INTERNATIONAL (230V)

INDEX	PART NUMBER	DESCRIPTION	QTY
--	4321219	POWER PANEL ASSEMBLY - REAR	--
1	4321218	COVER-CONTROL-POWER-REAR	1
2	9989120	FILTER-POWER LINE-EMI	1
3	3106155	BUSHING #SB1000-12	1
4	9900081	NUT #8-32 KEPS ZINC PLATE	2
5	9900019	SCREW - #8-32 X 3/8 RHS	3



This document is available free of
charge to our customers at
www.automaticproducts.com

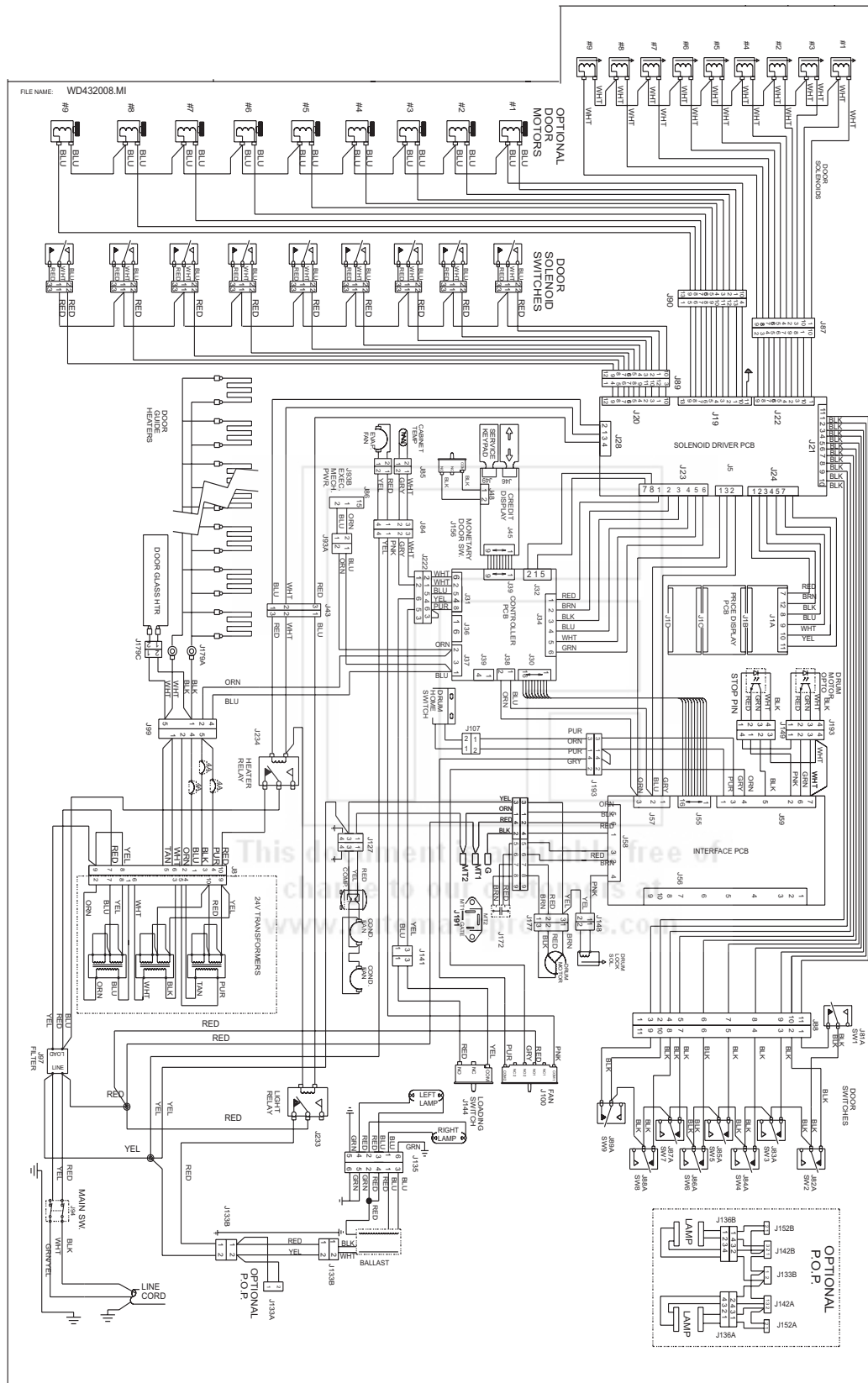


FIGURE 38: 432/962 WIRING DIAGRAM - DOMESTIC - (115V)

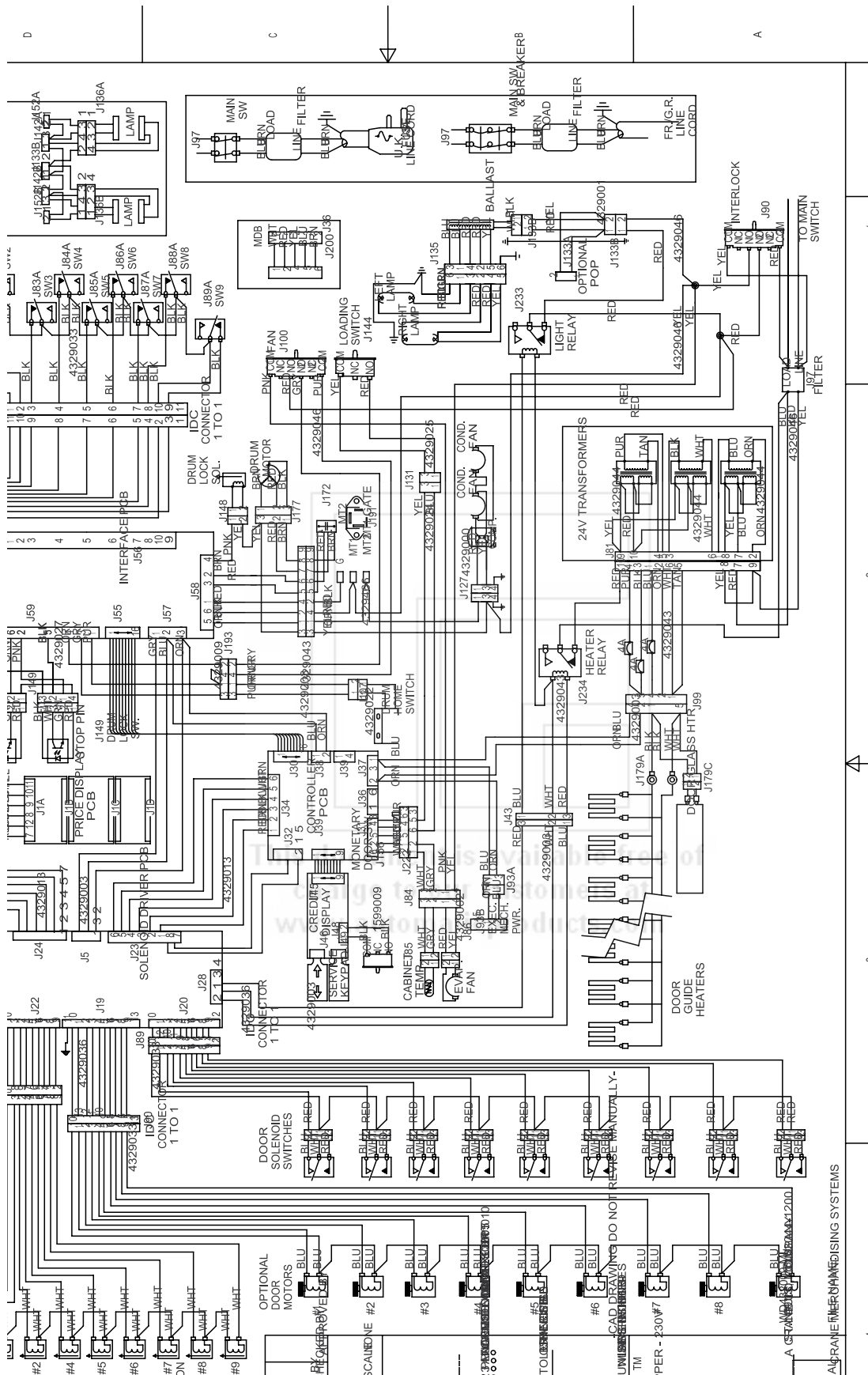


FIGURE 39: 432/962 WIRING DIAGRAM - INTERNATIONAL - (230V)

WD4329006 - HARNESS - POWER PANEL

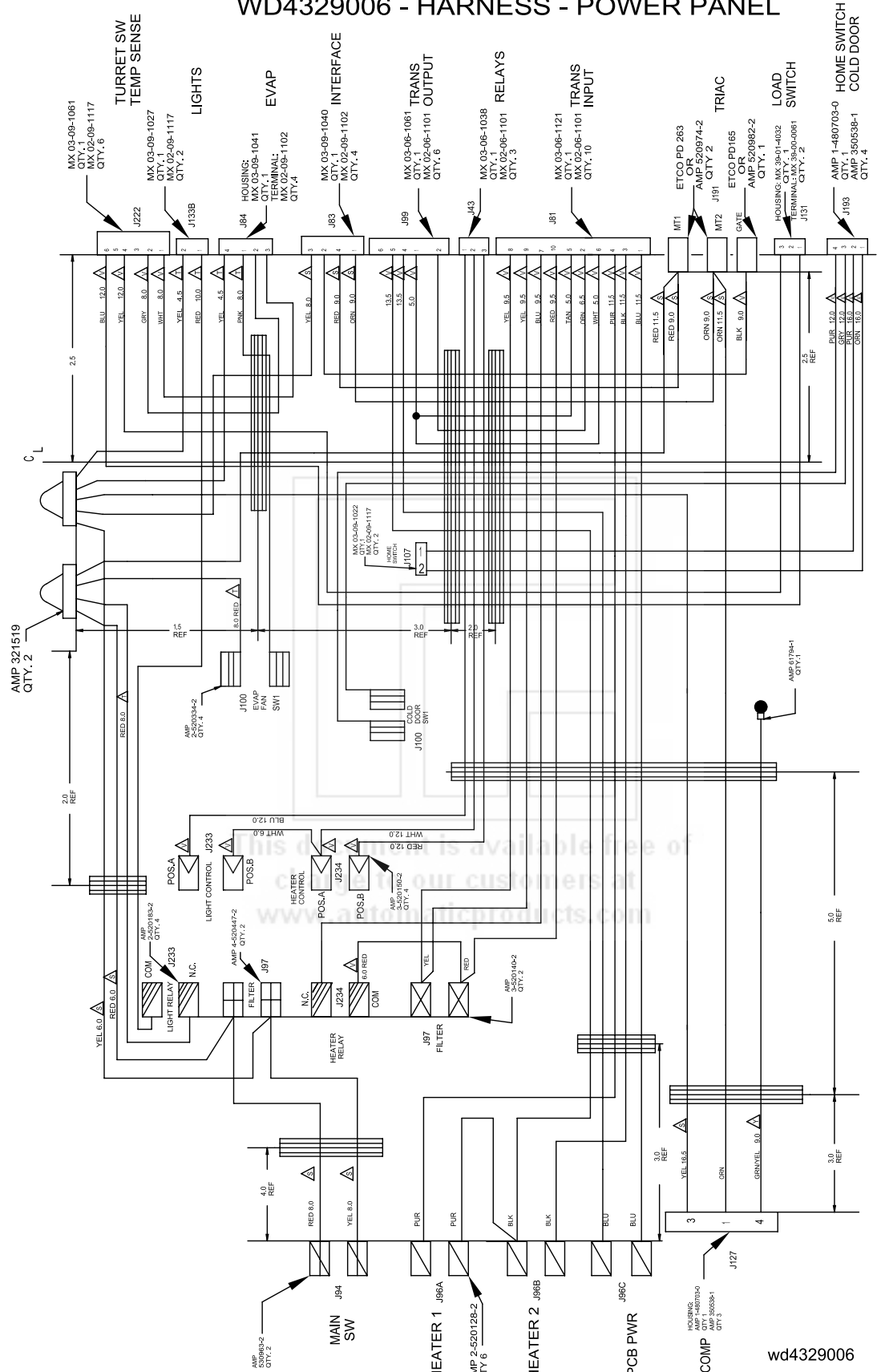


FIGURE 40: HARNESS DIAGRAM - POWER PANEL

wd4329006

TABLE 38: 432 HARNESS LIST

PART NUMBER	DESCRIPTION
1579009	JUMPER - MONETARY DOOR SWITCH
1579018	HARNESS - DATA PRINTER INTERFACE
1599200	HARNESS - CONTROL TO DISPLAY
1679005	FLUORESCENT LIGHT FILTER - 120/230V
1679054	HARNESS - "MDB" COIN & VALIDATOR
1679056	HARNESS - DEX INTERFACE
4279001	JUMPER - 230V - XFMR PRIMARY
4329000	HARNESS - COMPRESSOR
4329053	HARNESS - LAMP TO POWER PANEL
4329061	HARNESS - POWER PANEL TO PCB
4329062	HARNESS - POWER PANEL
4329056	HARNESS - LAMP TO BALLAST - (115V)
4329057	HARNESS - LAMP TO BALLAST - (230V)
4329027	HARNESS - CABINET DC
4329010	HARNESS - POP - BALLAST (NOT SHOWN)
4329045	HARNESS - DOOR AC
4329013	HARNESS - PRICE DISPLAY
4329018	HARNESS - 24V TEMP & SWITCH
4329019	HARNESS - POP LAMP
4329058	HARNESS-EVAP FAN & TEMP
4329025	HARNESS - TURRET SWITCH
4329032	CABLE ASSEMBLY - 16 CONDUCTOR
4329073	HARNESS, VEND DOOR MANUAL
4329072	HARNESS, VEND DOOR POWER
4329074	JUMPER, MOTOR POWER
7219018	HARNESS - POWER CORD TO PANEL
1679050	HARNESS-EXEC.COIN-LONG
9989687	PCB ASSY-EXECUTIVE INTERFACE
9984094	WIRE-GROUND-14"
9989883	WIRE-GROUND - 5"

TABLE 39: BAG ASSEMBLY: 15 - B4320000 (115V)

PART NUMBER	DESCRIPTION	QTY
WD432008	WIRING DIAGRAM - 432/962 - (115V)	1
5920012	PLASTIC BAG	1
1475094	LABEL - INSTRUCTIONS - ALT \$1 & \$5 - EXT	1
4320022	OPERATORS GUIDE - 432/962	1
4321168	SCREW-#6-19 X .31 TMPR.PRF EA	4
4329011	LIST - WIRE HARNESSSES	1
4322286	STOP - VEND-DOOR	4

TABLE 40: BAG ASSEMBLY: 15 - B4320001X (230V)

PART NUMBER	DESCRIPTION	QTY
WD432009	W.D. - 432962 - (230V)	1
5920012	PLASTIC BAG	1
1475094	LABEL - INSTRUCTIONS - ALT \$1 & \$5 - EXT	1
4320022	OPERATORS GUIDE - 432/962	1
4321168	SCREW-#6-19 X .31 TMPR.PRF EA	4
4329011	LIST - WIRE HARNESSSES	1
4322286	STOP - VEND-DOOR	4
1575083	COIN CHUTE & BRACKET ASSEMBLY	1
1575086	INSTR.SHEET-COIN CHUTE & BRKT.	1

This document is available free of charge to our customers at www.automaticproducts.com

432/962 Parts Manual

Part Number Index

Part Number	Page	Part Number	Page	Part Number	Page
1101906	67	2221920	67	4321004	57
1127808	69	2222095	13	4321012	55, 57
1141043	55	2222603	67	4321013	57
1141046	29, 47	2222604	67	4321016	55, 57
1141054	31	2228011	69	4321023	55
1172021	5	2366055	59	4321044	55
1211105	31, 51, 53, 55	2366135	73	4321061	55
1211109	71, 73	3106155	75	4321063	7
1211141	71, 73	3122056	69	4321080	55
1212139	13	3128092	63	4321084	35
1212140	11, 43	3157060	47	4321085	35
1217159	11, 13	3502078	29	4321089	55
1236050	55, 57	3502097	13	4321104	55
1437204	61	4042121	17, 19, 21, 47	4321106	43, 45
1451097	3, 7, 13, 15, 29, 39, 4 ... 41, 43, 45, 61, 67	4241165	15	4321107	45
1452139	7, 9, 13, 45	4242145	5	4321116	45
1470761	67	4244009	49	4321124	57
1471098	35	4245083	59	4321150	35
1471199	15	4271062	13, 45, 47	4321156	35
1471237	35	4274000	49, 51, 53	4321166	55, 57
1472132	17, 19, 21, 23, 25, 27	4277042	15, 29	4321168	17, 19, 21, 23, 25, 63
1475094	80	4279001	79	4321171	57
1479062	47	4301039	35	4321172	55
1479063	47	4301045	35	4321173	55
1571113	69	4301254	57	4321175	57
1571161	37	4301285	7	4321192	45
1572224	63	4301353	43	4321195	43, 47
1572242	7, 17, 19, 21, 23, 25, 33	4301364	47	4321196	43, 47
1575003	63	4301375	43, 45, 47	4321201	43, 45
1575076	61	4301395	43	4321207	45
1575083	80	4302166	63	4321209	43
1575086	80	4304076	49	4321218	75
1579009	61, 79	4304092	49, 53	4321219	75
1579018	79	4304236	51	4321220	43, 45
1599200	79	4307024	31, 43	4321228	67
1671041	63	4307029	43	4321229	67
1672173	11	4307032	41	4321230	43, 45
1672174	11	4311068	35	4321232	17, 19
1672177	11	4311071	37	4321238	57
1679005	13, 79	4311076	47	4321239	57
1679050	79	4311096	7	4321250	71
1679054	79	4311190	37	4321251	71
1679056	79	4311225	39, 41	4321252	73
1810611	69	4311237	43	4321253	73
1810612	69	4311252	47	4321256	57
1810613	69	4311253	47	4321257	45
1810614	69	4312213	7	4322002	7
1810615	69	4312215	3, 7	4322003	7
1811085	11	4312217	43	4322005	5
1815118	31, 59, 65	4314055	49, 51, 53	4322007	5
2204093	45, 69	4319008	13	4322010	5
2204513	49	4320003	80	4322035	29
		4320022	80	4322051	17, 19, 21, 23, 25
		4321002	43, 45	4322056	29

Part Number Index

432/962 Parts Manual

Part Number	Page	Part Number	Page	Part Number	Page
4322065	9	4322282	7	4325082	63
4322066	9	4322284	7	4325083	59, 61
4322067	3	4322285	3	4325084	61
4322070	3	4322286	19, 21, 25, 80	4325088	3, 59
4322071	3	4322307	29	4325089	63
4322074	3	4322309	33	4325091	61
4322083	7	4322310	7	4325107	61
4322087	3	4322323	11	4325118	31
4322090	33	4322325	3	4325121	31
4322091	7	4322326	3	4325122	31
4322100	19, 25	4322327	3	4325124	65
4322101	3, 59	4322328	3	4325131	29
4322113	3, 31, 59, 65	4322329	3	4325138	61
4322114	3	4322330	5, 7	4325142	63
4322116	23, 25	4322332	3	4325144	31
4322128	29	4324000	49, 53	4325155	65
4322130	27	4324001	49, 53	4325161	59
4322133	17, 19, 21, 23, 25	4324003	49, 51	4325163	61
4322136	17, 19, 21, 23, 25	4324004	51, 53	4325167	29
4322137	7	4324009	53	4325168	65
4322138	17, 19, 21	4324010	53	4325170	3, 31, 59, 65
4322141	27	4324012	51, 53	4325173	63
4322148	23, 25	4324014	49, 51	4325178	15
4322152	7	4324016	51	4325179	15
4322155	27	4324022	51	4325180	15
4322158	17, 19, 21, 23, 25, 27	4324023	51	4325181	59
4322160	17	4324029	51	4325183	31
4322161	23	4324030	49	4325191	31
4322162	19	4324038	55	4325192	59, 63
4322163	25	4324039	55	4325193	59
4322164	21	4324041	55	4325194	59
4322166	13	4324043	67	4325196	3
4322169	9	4324044	53	4325197	3
4322172	9	4324048	53	4325200	31, 59, 65
4322179	13	4325004	61, 63	4326000	17, 19, 21, 23, 25
4322182	13	4325005	69	4326009	33
4322187	7, 11	4325027	65	4326021	7
4322196	17, 19	4325033	63	4326045	15
4322197	17, 19	4325034	61	4326046	15
4322198	17, 19	4325037	3, 59	4326049	15
4322224	27	4325038	3, 59	4327001	39, 43
4322225	27	4325052	59, 61, 63	4327002	41
4322235	17, 19	4325061	63	4327007	41
4322241	3	4325062	63	4327010	39
4322245	9	4325063	63	4327014	43
4322250	29	4325064	3, 59	4327019	29
4322258	9, 11	4325065	59	4327020	43
4322261	9	4325066	59	4327023	39
4322262	9	4325067	59	4327024	39
4322263	9	4325068	29	4327031	41
4322264	9, 11	4325070	59	4327032	39
4322266	7	4325071	63	4327034	43, 45
4322277	5, 7	4325072	61	4327037	47
4322281	7	4325077	61	4327039	41

Part Number	Page	Part Number	Page	Part Number	Page
4327040	41	4551153	37	9900106	69
4327041	39, 41	4551154	37	9900107	9
4327042	41	4552020	7	9900160	33, 45, 63
4327043	41	4552121	7	9900164	11, 47
4327044	41	4552122	7	9900201	11
4327047	39	4552371	3	9900205	45
4327059	39	4552436	33	9900218	35
4327061	39	4555155	59	9900425	31
4327062	47	4721035	55	9900437	43, 45
4327064	47	4727069	9	9983778	71, 73
4327068	47	4731070	11	9984094	79
4327069	47	4741050	7, 31, 43, 45, 59	9984095	47
4327070	43	4747171	3, 59	9984629	71, 73
4327077	47	4774122	49, 53	9984634	27
4327078	41	5900430	69	9985050	11
4327084	39	5900556	69	9985062	11
4327085	47	5920012	80	9985887	57
4329000	79	6104216	47	9987852	57
4329001	13	6104411	47	9988210	71
4329010	13, 79	6111041	61	9988211	73
4329011	80	6138181	47	9989046	71, 73
4329013	79	6231034	7	9989100	71
4329018	79	6231037	69	9989120	75
4329019	13, 79	6232028	5	9989560	55
4329022	43	6232036	5	9989576	55
4329025	79	6232208	5	9989577	55
4329027	79	6233028	31	9989674	71, 73
4329028	45, 47	6234295	45	9989677	71, 73
4329032	79	6262021	31	9989687	79
4329038	7	6332009	13	9989823	61, 63
4329045	79	6335002	61	9989859	15
4329046	73	6401052	53	9989883	31, 79
4329053	79	6732034	13	A	
4329055	9	7214014	49, 53	AP13100065	11
4329056	9, 79	7214082	55	AP380303	11
4329057	9, 79	7219018	79	AP420144	63
4329058	79	7847020	7	B	
4329061	79	80030438	51	B4320000	80
4329062	71, 73, 79	80080151	53	B4320001	80
4329064	9	9331026	11	C	
4329068	55	9900019	75	CR0005484	59
4329069	11	9900061	45	CR0005484	3
4329070	11	9900065	27	CR0007105	51, 53
4329072	27, 79	9900078	71, 73	CR0008140	61, 63
4329073	27, 79	9900081	29, 45, 47, 51, 59, 61, ... 63, 69, 71, 73, 75	W	
4329074	27, 79	9900092	41	WD432008	80
4363031	17, 19	9900098	37	WD432009	80
4364034	49, 51				

<u>Part Number</u>	<u>Page</u>	<u>Part Number</u>	<u>Page</u>	<u>Part Number</u>	<u>Page</u>
--------------------	-------------	--------------------	-------------	--------------------	-------------



This document is available free of charge to our customers at www.automaticproducts.com

